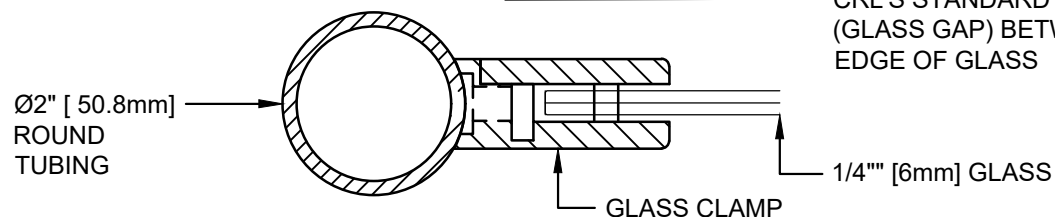
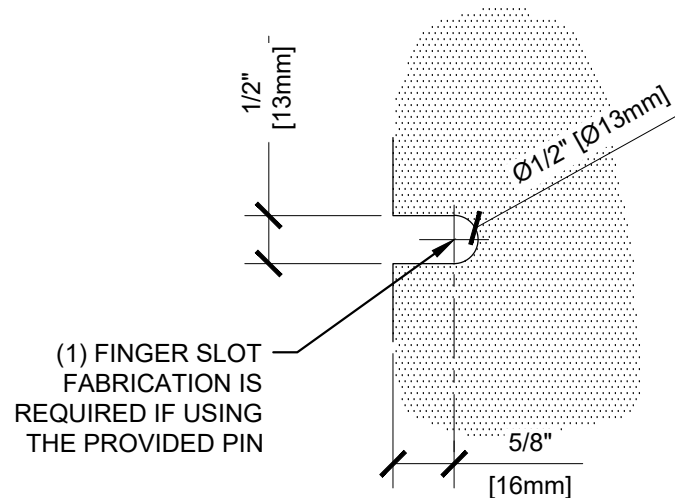
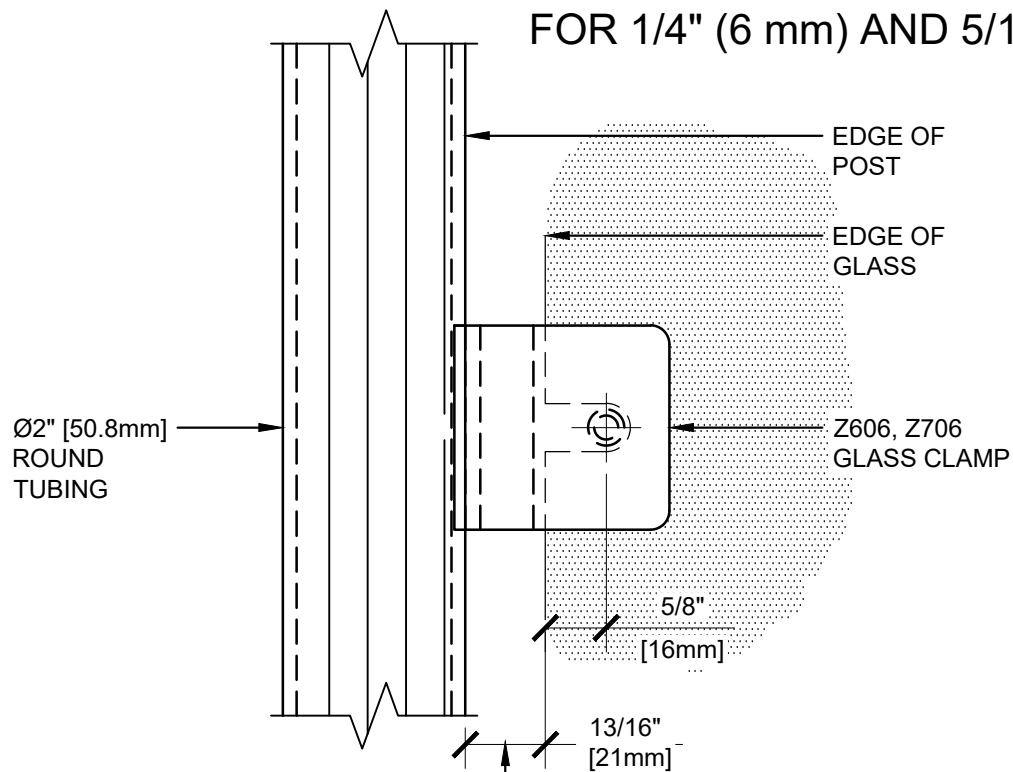


# GLASS FABRICATION TEMPLATE FOR THE Z-SERIES SQUARE TYPE RADIUS BACK GLASS CLAMPS FOR 1/4" (6 mm) AND 5/16" (8 mm) GLASS



ALWAYS USE DIMENSIONS SHOWN ON THE PLAN.  
DO NOT SCALE OR DIMENSION ACTUAL DRAWING  
TO ENSURE ACCURACY

**GLASS FABRICATION  
TEMPLATE USED FOR:**

PART NUMBER	TUBE DIAMETER
Z606BR	2" (50.8mm)
Z606CH	2" (50.8mm)
Z606SC	2" (50.8mm)
Z606BN	2" (50.8mm)
Z606GP	2" (50.8mm)
Z606W	2" (50.8mm)
Z706BS	2" (50.8mm)
Z706PS	2" (50.8mm)

**SPECIFICATIONS:**

GLASS THICKNESS: FOR 1/4" (6 mm) AND 5/16" (8 mm) GLASS.

BASE DESIGN: RADIUS BACK

FOR USE WITH: 2" (50.8mm) DIAMETER ROUND TUBING ONLY.

MATERIAL: CHOICE OF ZINC CONSTRUCTED OR STAINLESS STEEL.  
STAINLESS STEEL OR POWDER PAINTED ZINC CLAMPS ARE RECOMMENDED FOR MORE DURABILITY IN EXTERIOR APPLICATIONS.

GLASS FABRICATION: FOR 1/4" (6 mm) TO 5/16" (8mm) THICK GLASS: 1/2" (12mm) DIA FINGER SLOT NEEDED FOR USING REQUIRED STEEL PIN FOR GLASS SUPPORT.

INCLUDES: RUBBER GASKETS AND REQUIRED STEEL PIN WITH GROMMET.



**ARCHITECTURAL PRODUCTS**  
PH: 800-421-6144 FX: 800-262-3299  
WWW.CRLAURENCE.COM

DESCRIPTION:  
**Z-SERIES SQUARE TYPE RADIUS BACK GLASS CLAMPS**  
FOR 1/4" (6 mm) AND 5/16" (8 mm) GLASS

CAT. NO: (SEE CHART)	DATE: 10/11/16
FILE NAME: Z606 & Z706	SCALE: 6"=1'-0"
DRAWN BY: J.T.	CHECKED BY: M.G.
SHT 1 OF 1	