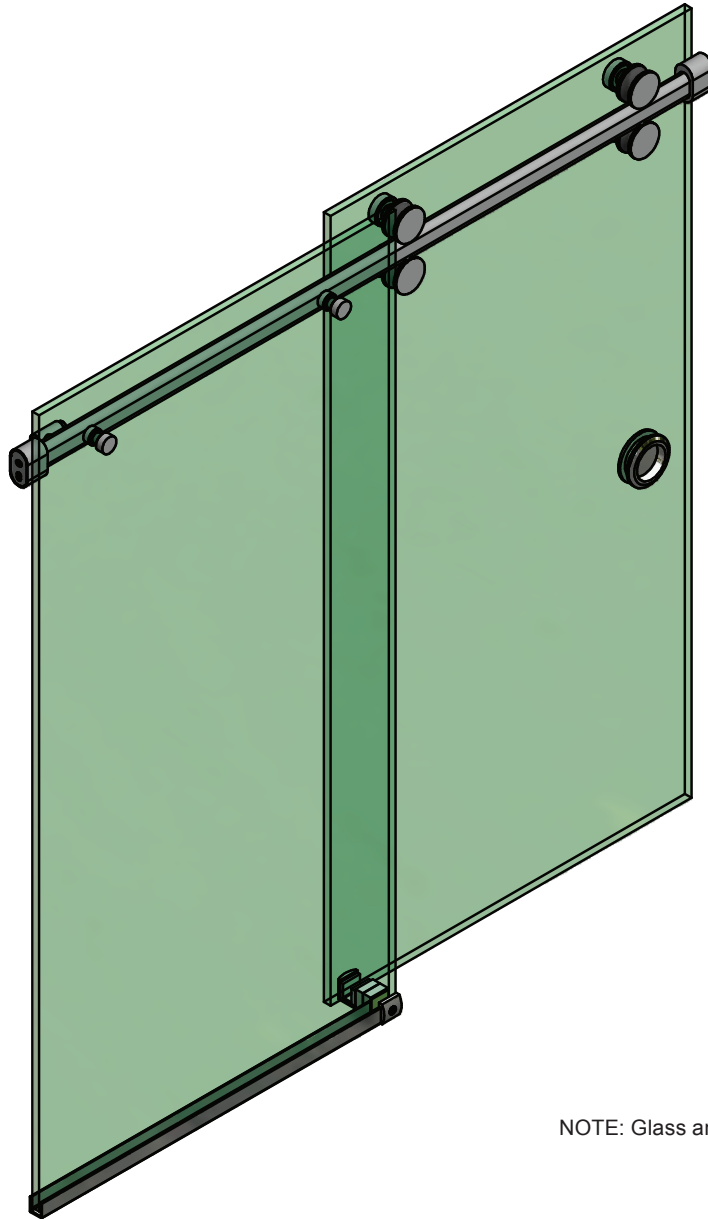




# TOFINO SERIES

## TFN78 SLIDING DOOR KIT



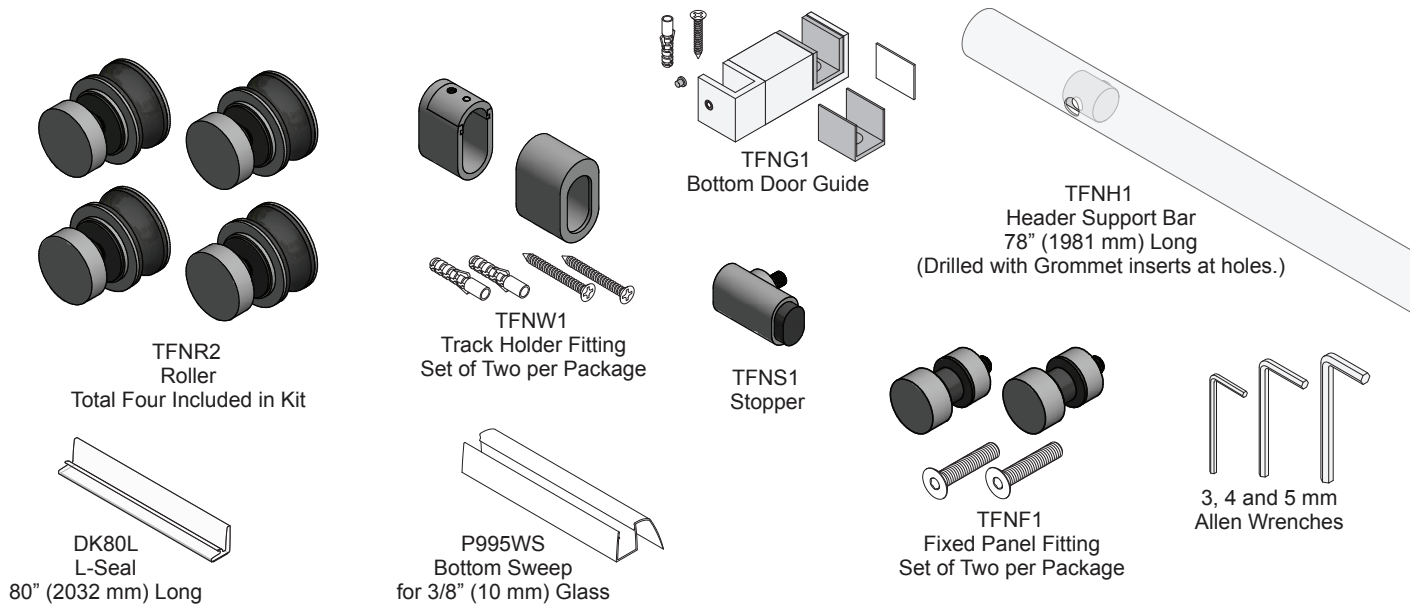
NOTE: Glass and U-Channels not included.

## ORDER OF ASSEMBLY AND INSTALLATION

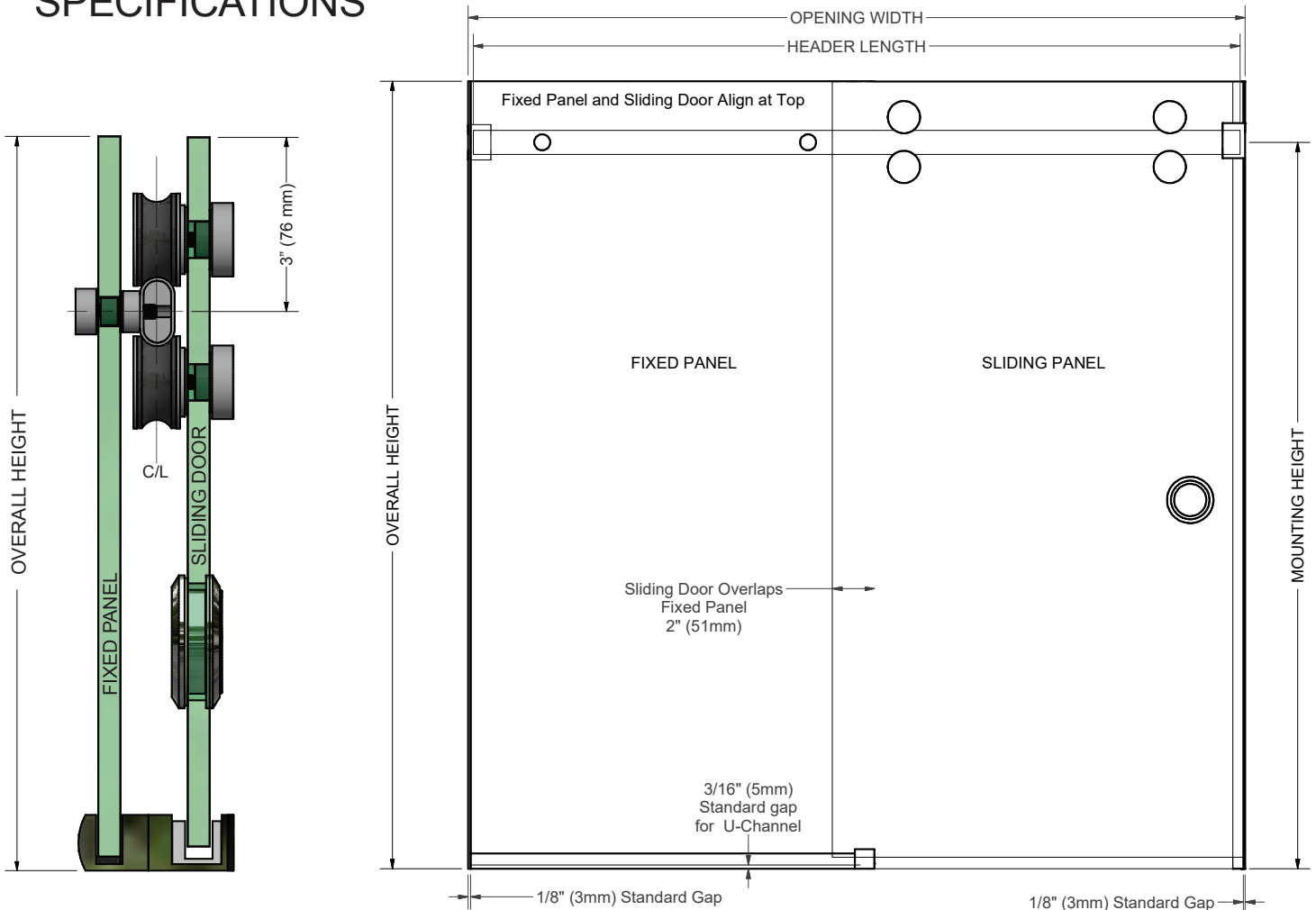
PARTS LIST .....	3
SPECIFICATIONS .....	3
GLASS FABRICATION .....	4
SLIDING DOOR PREPARATION .....	5
Unpack Rollers .....	5
Install Top Rollers .....	5
Install Bottom Sweep .....	5
SITE PREPARATION .....	6
Mark Location for Header Support Bar .....	6
FRAME FABRICATION .....	6
Prepare Header Bar: Opening Width Greater Than 53-1/4" .....	6
Prepare Header Bar: Opening Width Less Than 53-1/4" .....	6
FRAME INSTALLATION .....	7 - 10
Mount Track Holder Fittings .....	7
Install Stopper .....	7
Install Header .....	7
Bottom Guide Mounting Options and U-Channel Preparation (Optional) .....	8
Unpack and Prepare Bottom Door Guide .....	8
Install Fixed Panel Curb Mounts .....	8
Install Fixed Panels .....	9
Place Bottom Door Guide .....	9
Install Bottom Door Guide .....	10
SLIDING DOOR INSTALLATION .....	10
Hang Sliding Door .....	10
Install Bottom Rollers .....	10
FINISHING .....	11
Adjust Stopper Position .....	11
Install L-Seal .....	11

**IMPORTANT: READ THIS MANUAL THOROUGHLY BEFORE BEGINNING INSTALLATION.**

# PARTS LIST

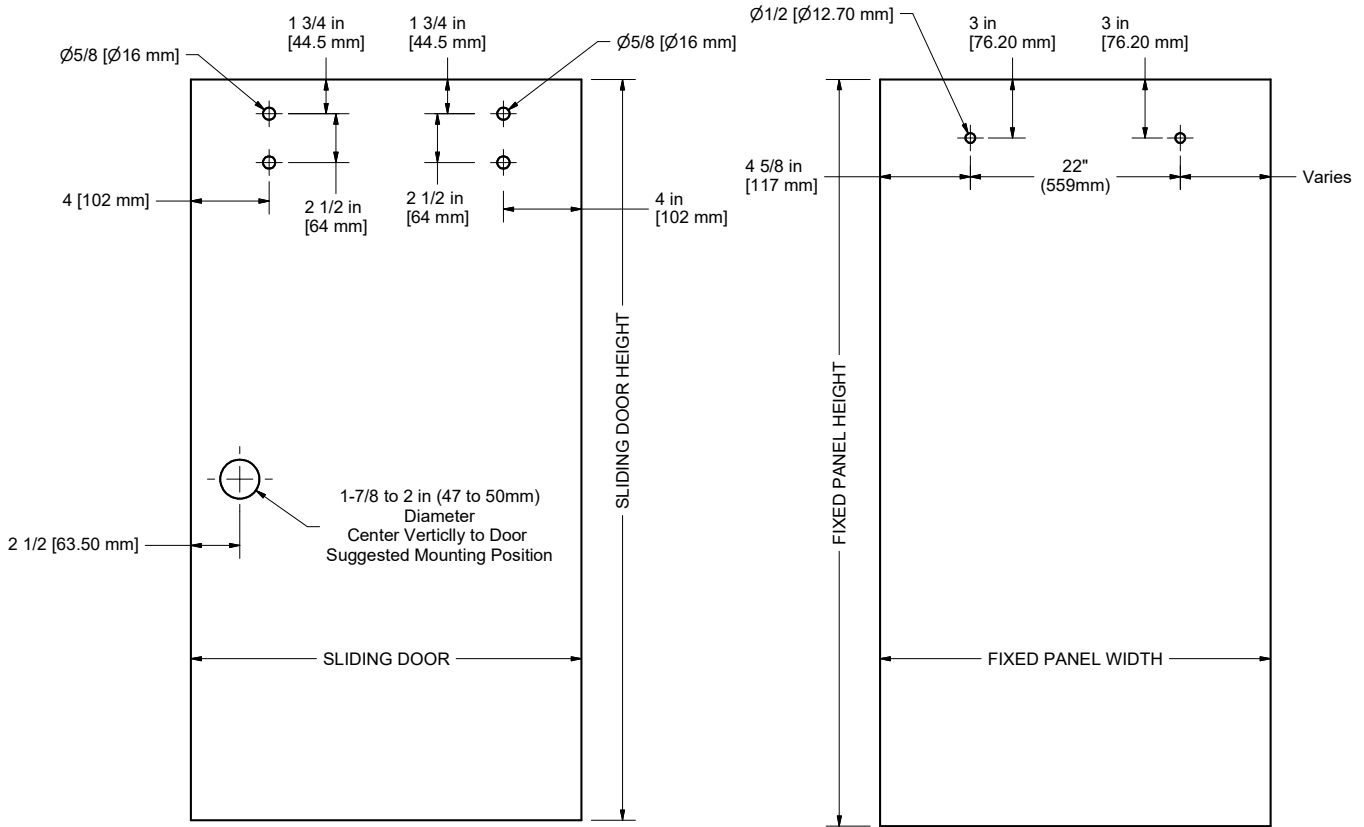


# SPECIFICATIONS



# GLASS FABRICATION

NOTE: For use with 5/16" to 3/8" (8 - 10 mm) Tempered Glass only. Do Not use Laminated Glass.



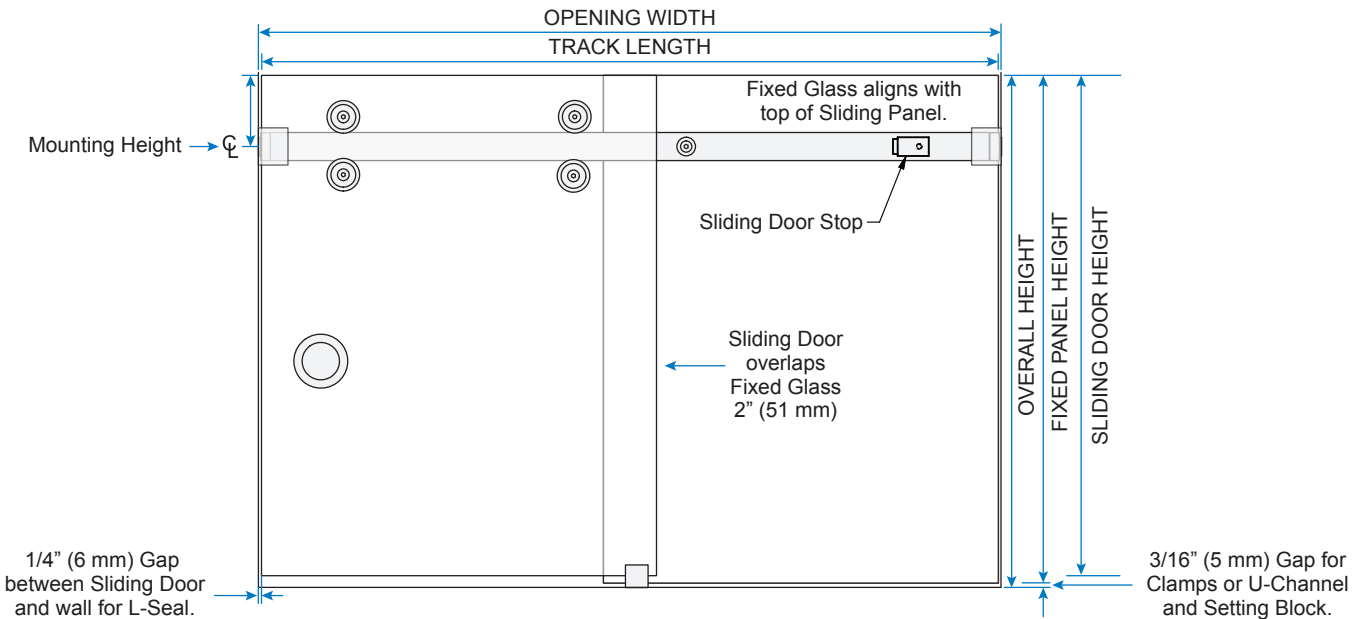
VIEW FROM INTERIOR

VIEW FROM INTERIOR

SLIDING DOOR AND FIXED PANEL WIDTH : Overall Width Divided by 2, plus 7/8" (22 mm)

FIXED PANEL HEIGHT : Overall Height minus 3/16" (5 mm)

SLIDING DOOR HEIGHT : Overall Height minus 5/16" (8 mm)



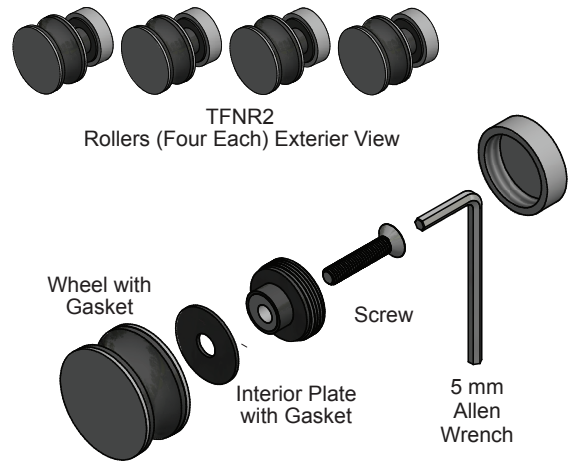
NOTE: Drawings not shown to scale. Track is cut 1" (25 mm) less than Opening Width and centered in opening. Overall Height is height from curb/floor to top of glass. Drawings shown from interior with Bottom Door Guide cupping Fixed panel. See Page 8 for Guide mounting options.

# SLIDING DOOR PREPARATION

## Unpack Rollers

- 1 Unpack and partially disassemble two sets of Rollers.

NOTE: Rollers shipped assembled.  
5 mm Allen Wrench included.



## Install Top Rollers

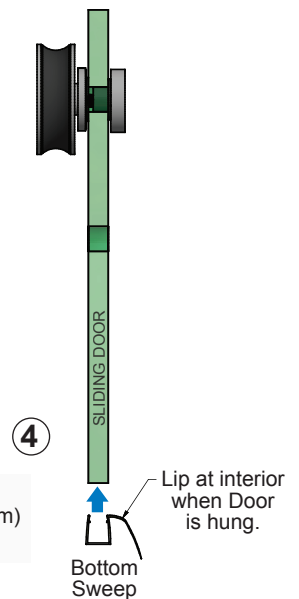
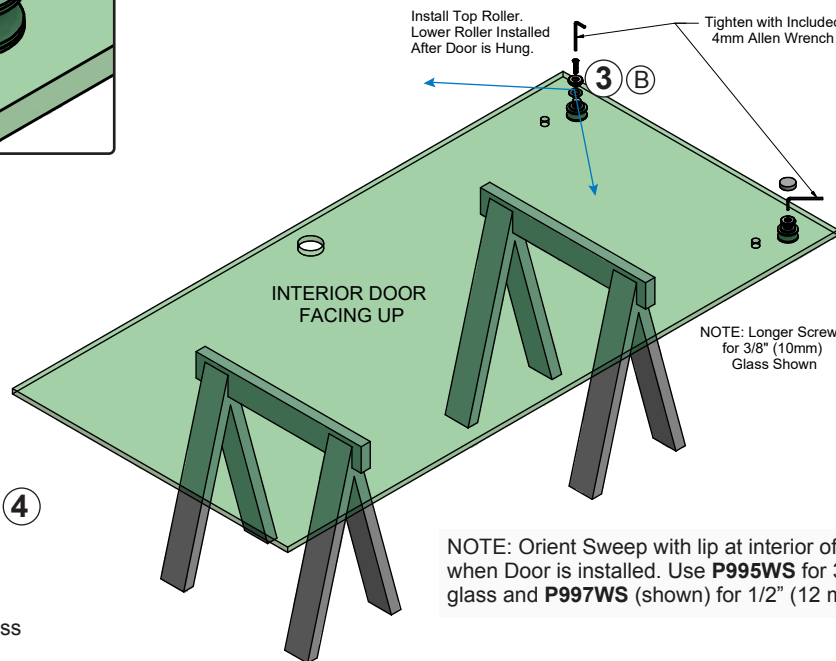
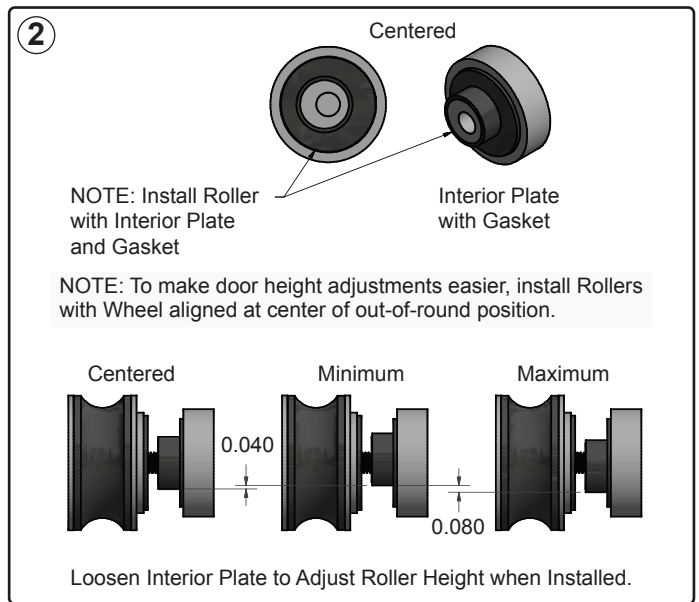
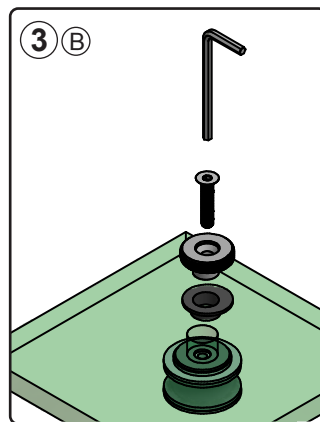
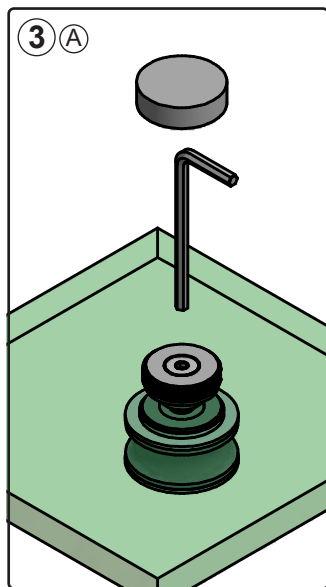
- 2 Adjust wheel height.
- 3 Install Top Rollers on Sliding Door.

NOTE: Lower Rollers are installed after door is hung. See Page 10.

## Install Bottom Sweep

- 4 Cut Bottom Sweeps to door width and fit on the bottom of door.

NOTE: Select one of two sizes of included Sweeps.



**P997WS**  
Bottom Sweep  
Shown  
Use **P995WS**  
for 3/8" (10 mm) Glass

NOTE: Orient Sweep with lip at interior of shower when Door is installed. Use **P995WS** for 3/8" (10 mm) glass and **P997WS** (shown) for 1/2" (12 mm) glass.

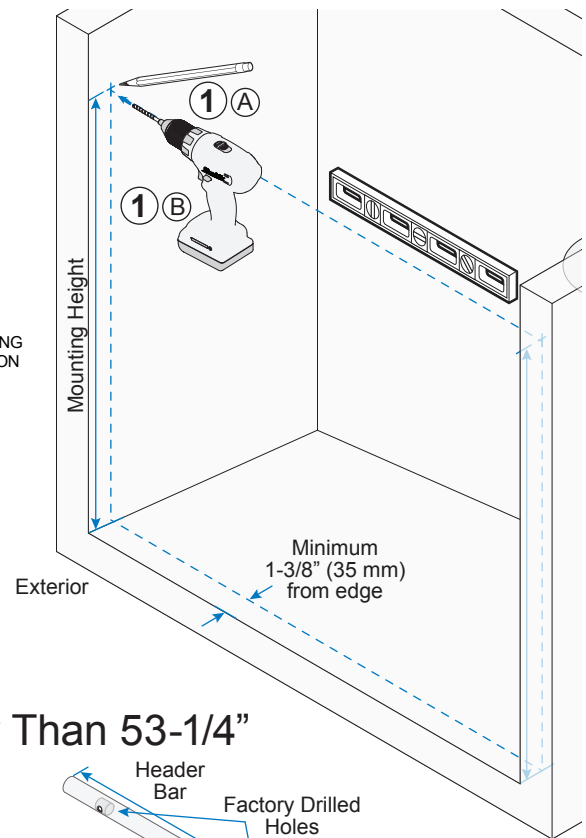
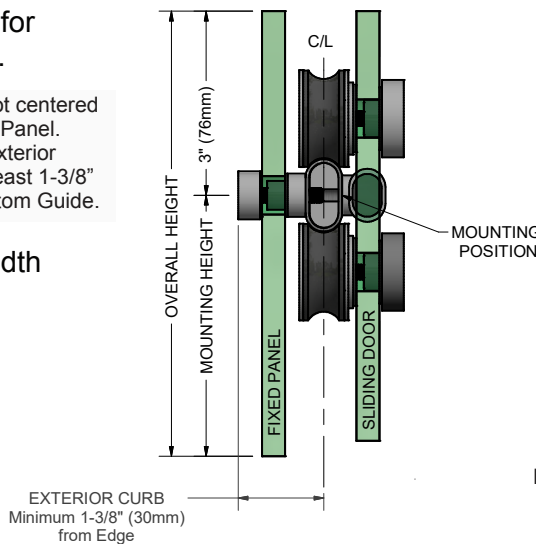
# SITE PREPARATION

## Mark Location for Header Support Bar

- 1 Mark and drill holes for Header Support Bar.

NOTE: Header Support Bar is not centered between Sliding Door and Fixed Panel. When installing Fixed Panel to exterior (traditional placement) allow at least 1-3/8" (35 mm) from edge to install Bottom Guide.

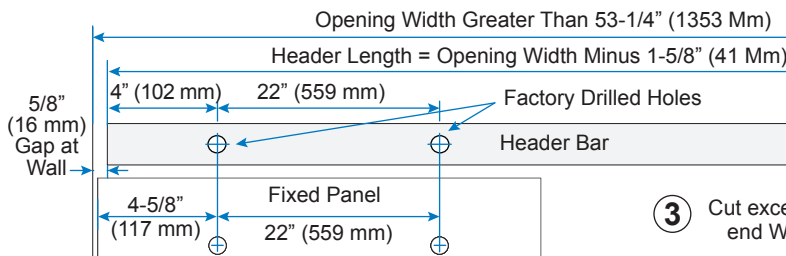
- 2 Measure opening width at mounting points.



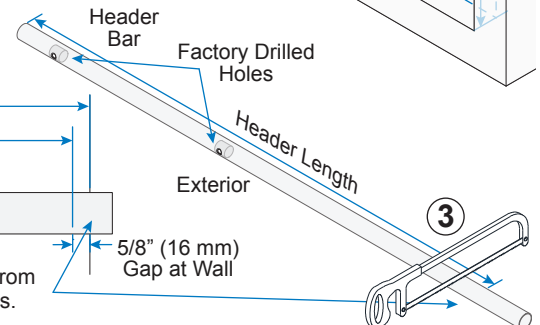
# FRAME FABRICATION

## Prepare Header Bar: Opening Width Greater Than 53-1/4"

- 3 Cut CREH1 Header Bar from end without holes.



- 3 Cut excess length from end Without Holes.



NOTE: Header Support Bar is cut 1-5/8" (41 mm) short from tight dimension and centered in opening.

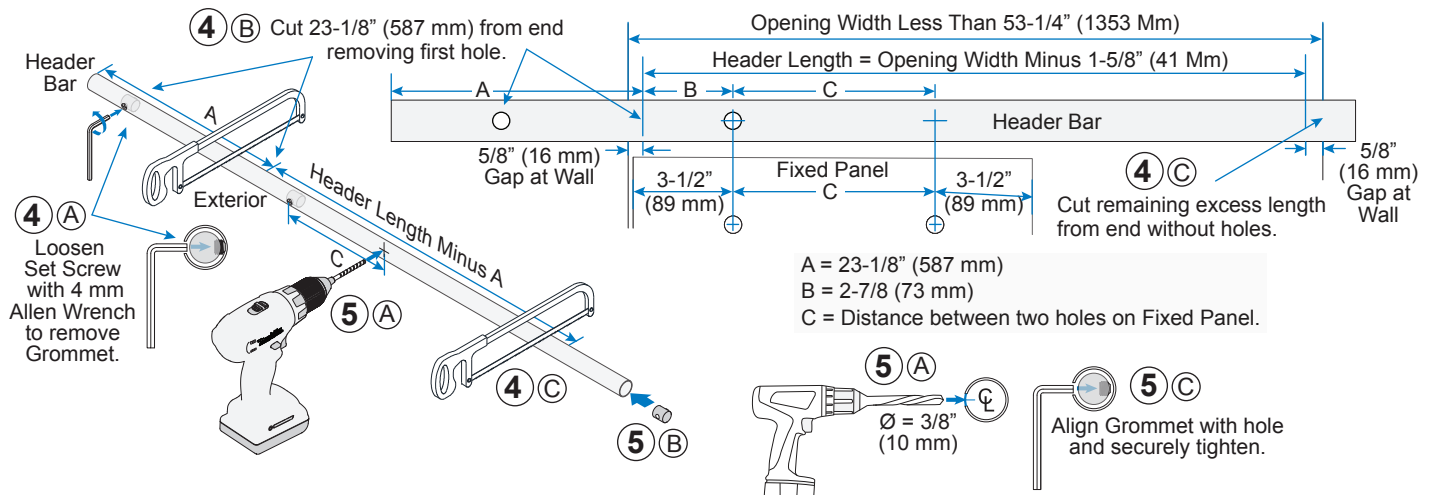
NOTE: Header Bar is made of stainless steel. Use hacksaw or special cutting tool.

## Prepare Header Bar: Opening Width Less Than 53-1/4"

- 4 Cut excess length from CREH1 Header Bar from both ends.

NOTE: Remove Grommet at first hole before cutting. Header Bar is made of stainless steel. Use hacksaw or special cutting tool.

- 5 Drill second hole for Fixed Panel Fitting and reinstall Grommet.



# FRAME INSTALLATION

## Mount Track Holder Fittings

NOTE: Track Holder Fittings shown orientated for installation. Set Screws at end hold Base to Mounting Block while second Set Screws secure Base to Header when installed.

1 Unpack Track Holder Fittings.  
Loosen Set Screws.

2 Fasten Mounting Blocks to wall.

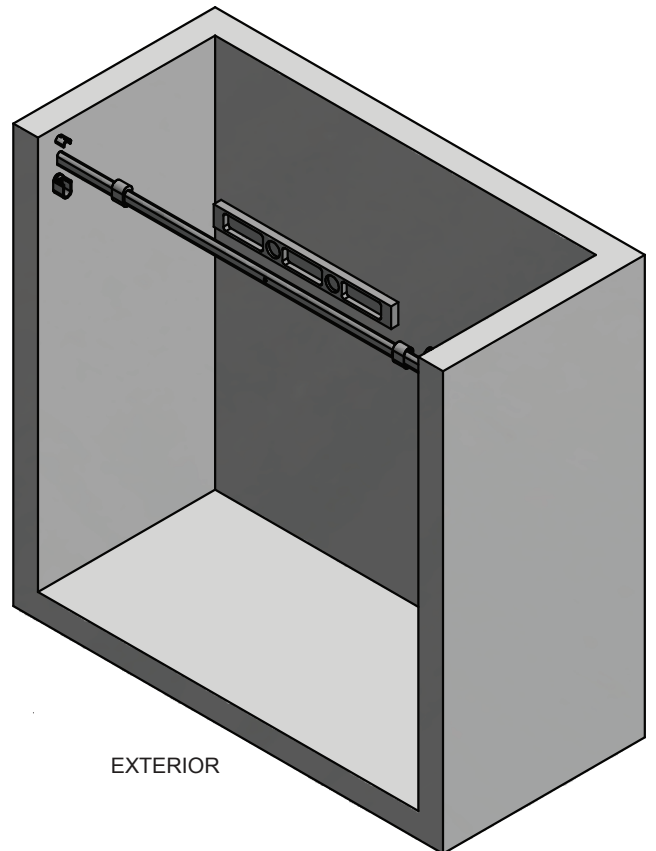
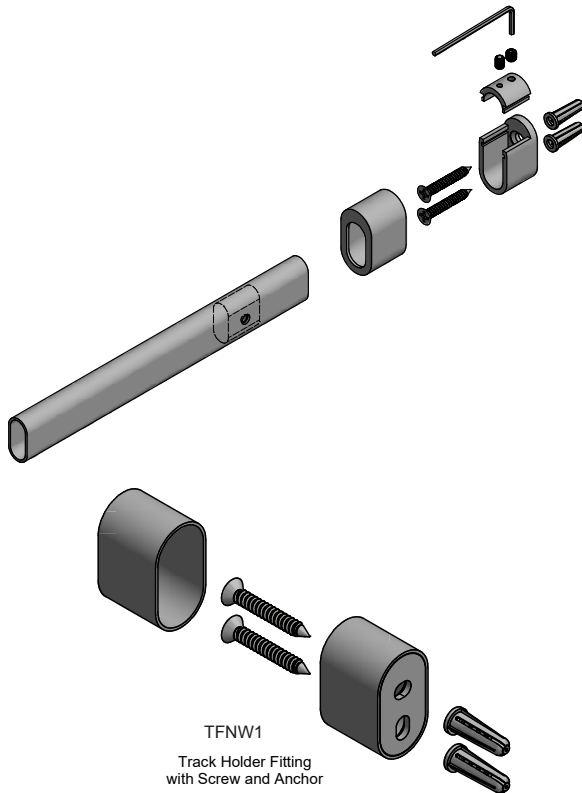
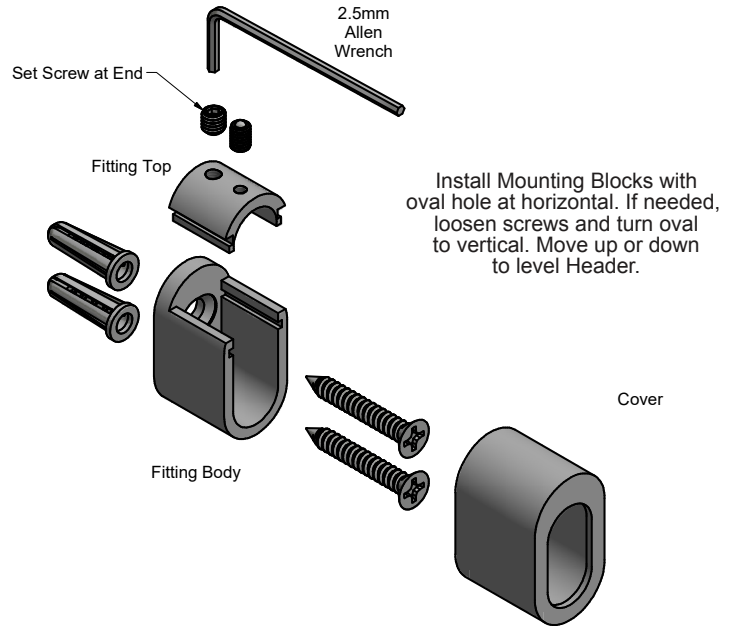
### Install Header

NOTE: Orient Stopper with Rubber Bumpers facing center and Track Holder Fittings with rounded end facing center.

3 Drop Header into Track Holder.  
Slide track holder lid and tighten set screw to secure header in place.

4 Sleeve track holder cover over the track holder fitting.

NOTE: Ensure Header is level. If not, loosen screws holding Mounting Blocks to adjust height.

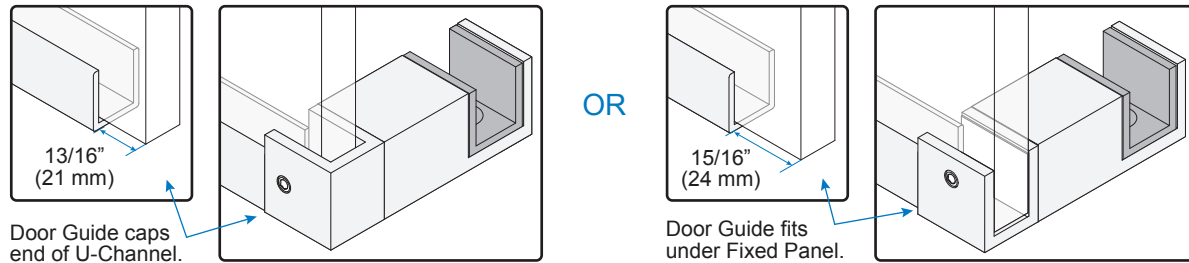


# FRAME INSTALLATION (CONTINUED)

## Bottom Guide Mounting Options and U-Channel Preparation (Optional)

NOTE: Fixed Panel may be fastened to curb with clamps. Use dimensions shown below to calculate length of U-Channel for each mounting option.

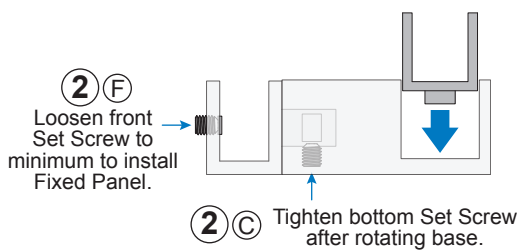
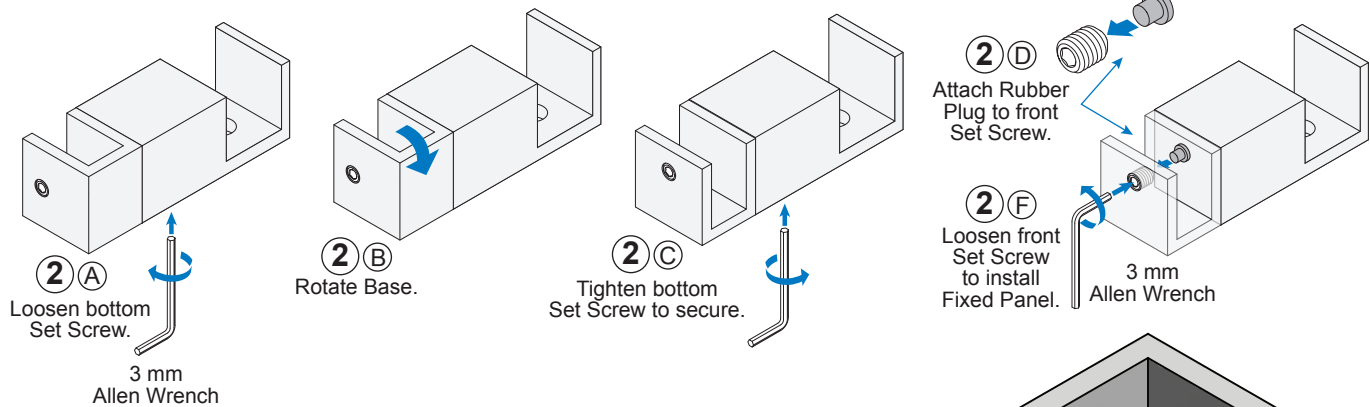
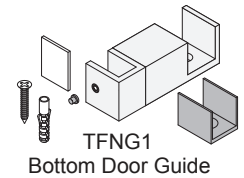
### 1 Determine Bottom Door Guide mounting option.



## Unpack and Prepare Bottom Door Guide

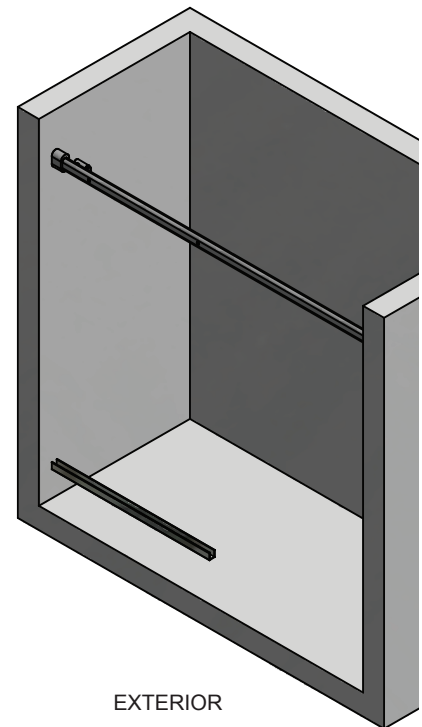
### 2 Unpack Bottom Door Guide. Rotate orientation if needed. (Optional)

NOTE: Door Guide shipped oriented to cap Fixed Panel on right. Loosen bottom Set Screw and rotate base to change orientation. Select smaller of two included inserts.



### 3 Mount Clamps or U-Channel on curb.

NOTE: Door Guide installed after Sliding Door is hung. Door Guide positioned under Fixed Panel shown in installation in this manual.

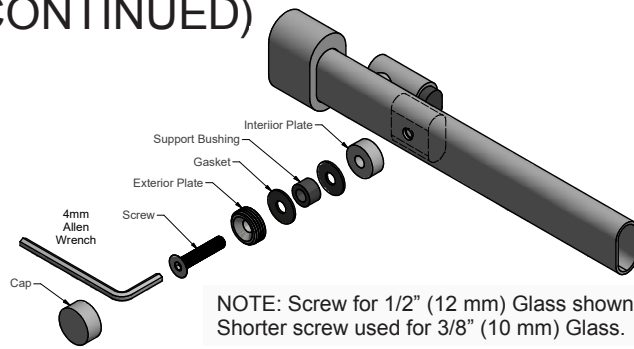


NOTE: U-Channel not included. Shown as example only.

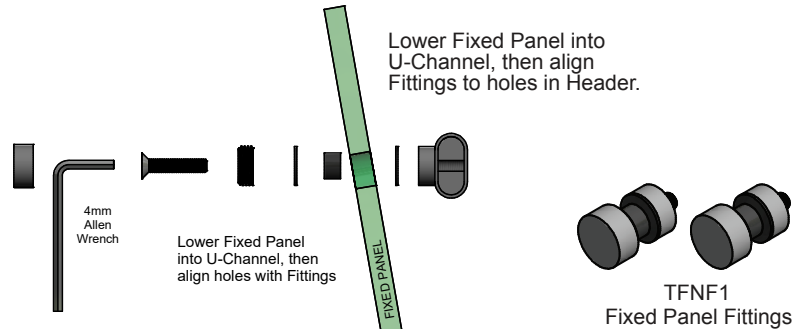
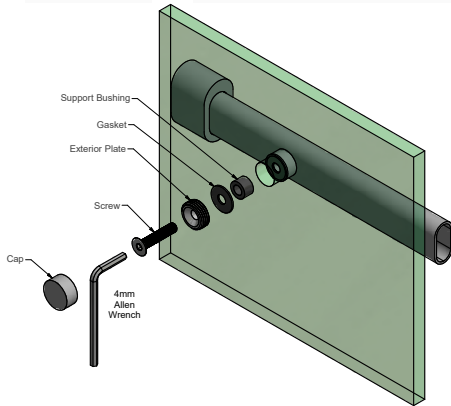
# FRAME INSTALLATION (CONTINUED)

## Install Fixed Panels

- ① Unpack and disassemble Fixed Panel Fittings.
- ② Attach Fixed Panel Fittings to Fixed Panel.
- ③ Align Fittings with Grommets in Header Bar. Securely fasten.



NOTE: If Grommets are not centered, loosen Track Holder Set Screws and rotate Header Bar.

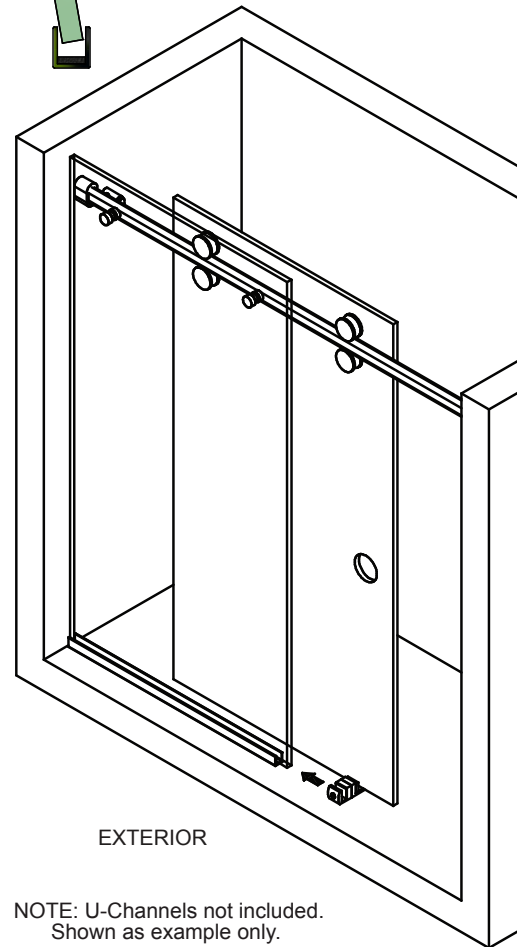
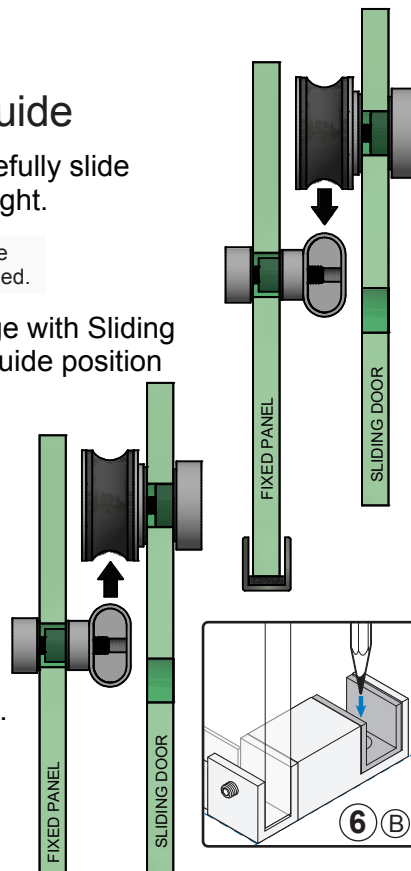
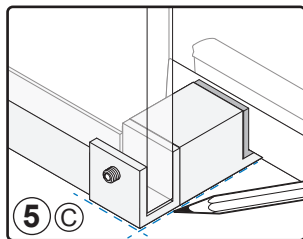


## Place Bottom Door Guide

- ④ Hang Sliding Door and carefully slide back and forth to check height.

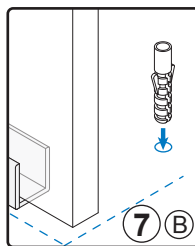
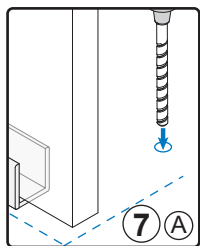
NOTE: See Page 5 to Prepare Door before hanging and to adjust Roller height if needed.

- ⑤ Place Door Guide to engage with Sliding Door. Close Door, adjust Guide position and outline.



- ⑥ Remove Door to mark hole.

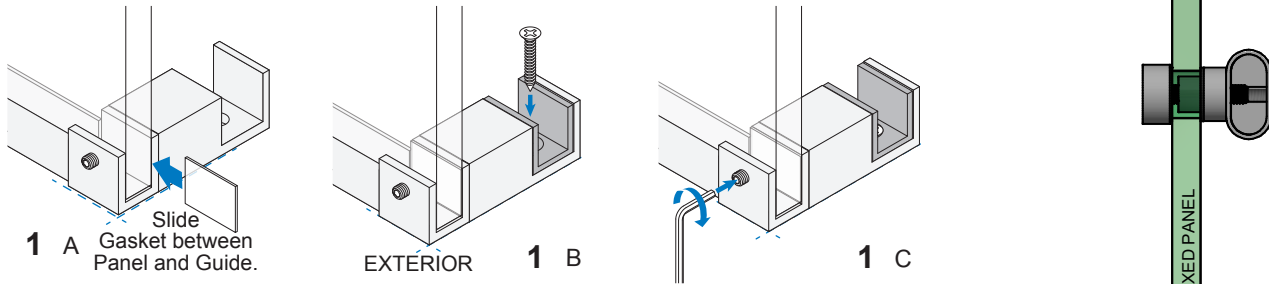
- ⑦ Remove Guide. Drill hole and insert anchor.



## FRAME INSTALLATION (CONTINUED)

### Install Bottom Door Guide

1 Fasten Bottom Door Guide and tighten Set Screw at Fixed Panel.



## SLIDING DOOR INSTALLATION

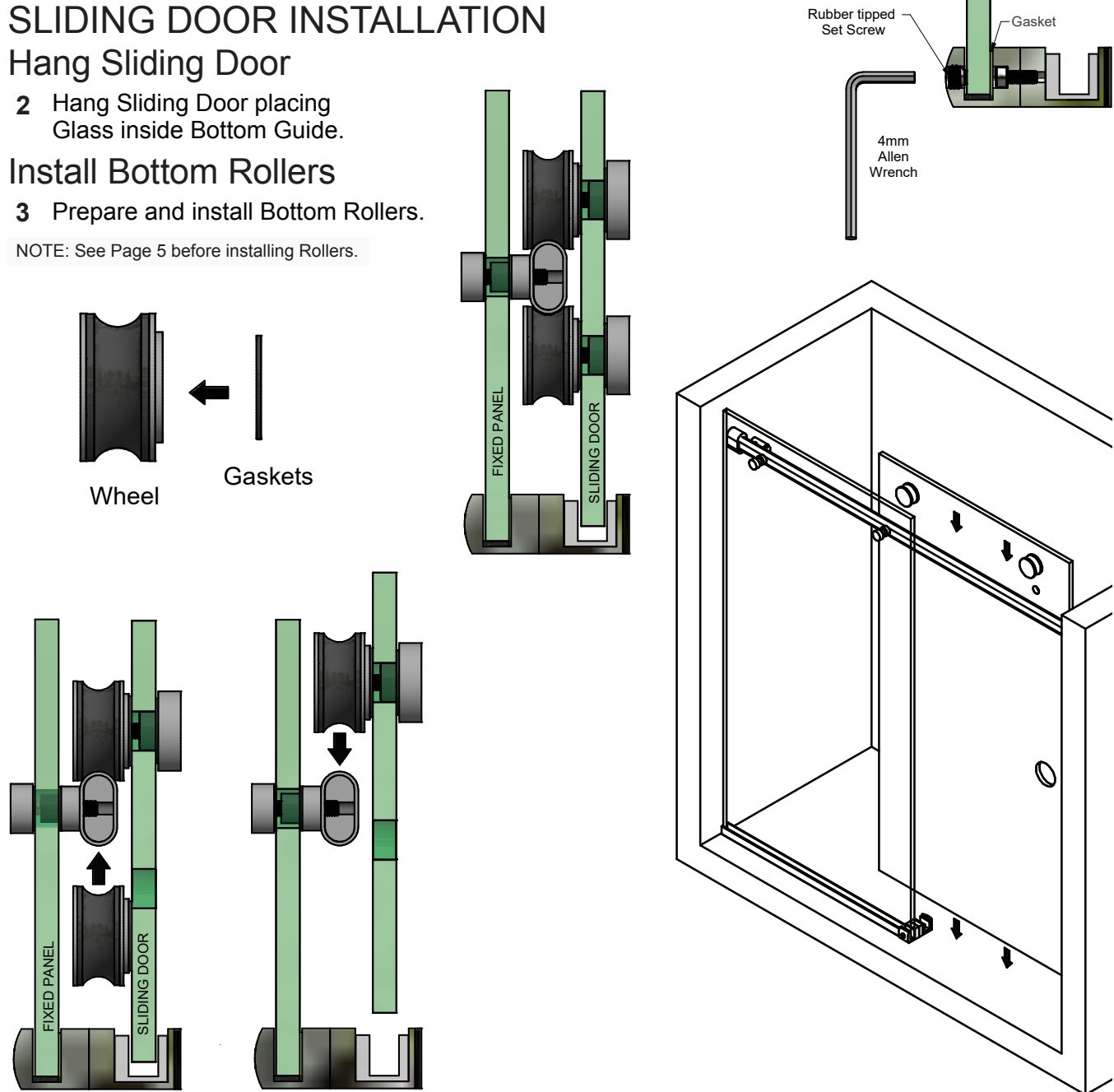
### Hang Sliding Door

2 Hang Sliding Door placing Glass inside Bottom Guide.

### Install Bottom Rollers

3 Prepare and install Bottom Rollers.

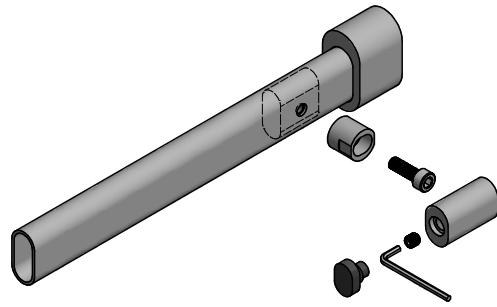
NOTE: See Page 5 before installing Rollers.



## Install Stopper

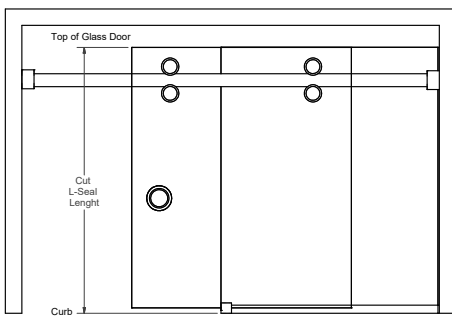


TFNS1  
Stopper



## Install L-Seal

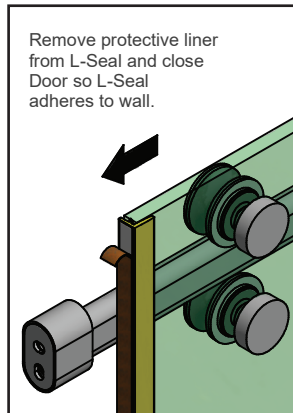
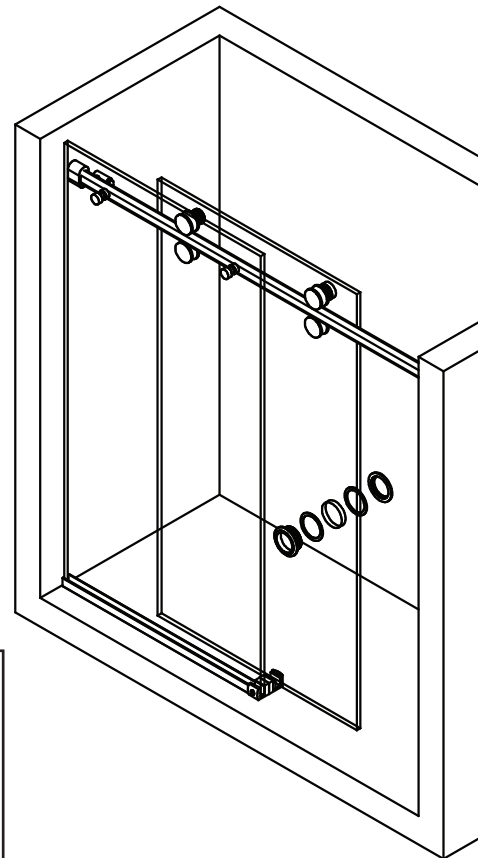
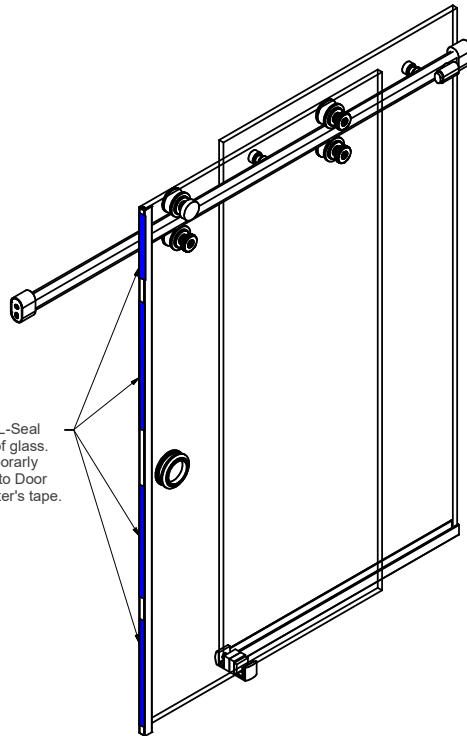
### 2 Cut and install L-Seal.



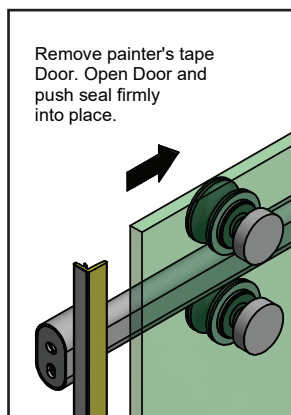
VIEW FROM INTERIOR

**NOTE:** Temporarily attach L-Seal to Sliding Door. Use as guide for final position.

Align L-Seal to top of glass. Temporarily attach to Door with painter's tape.



INTERIOR



INTERIOR

