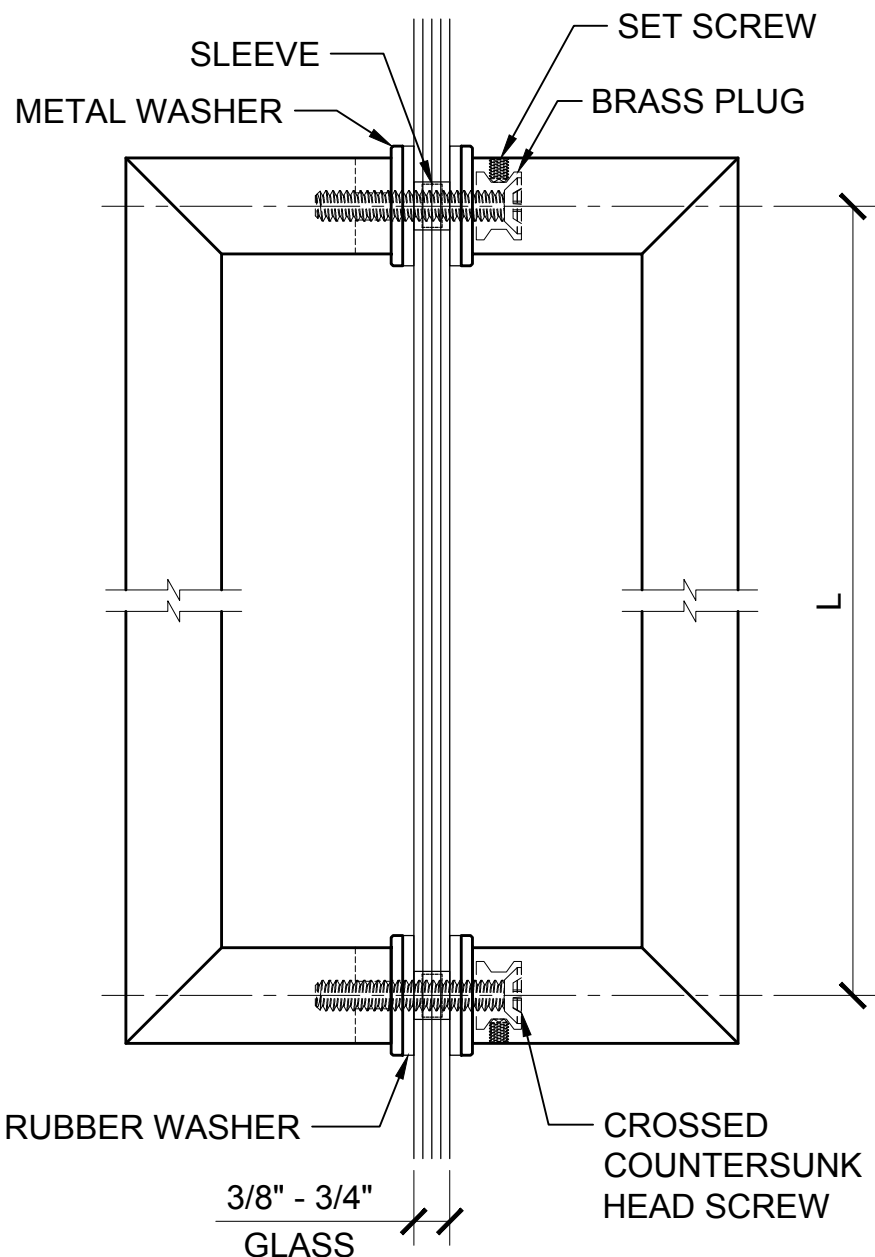
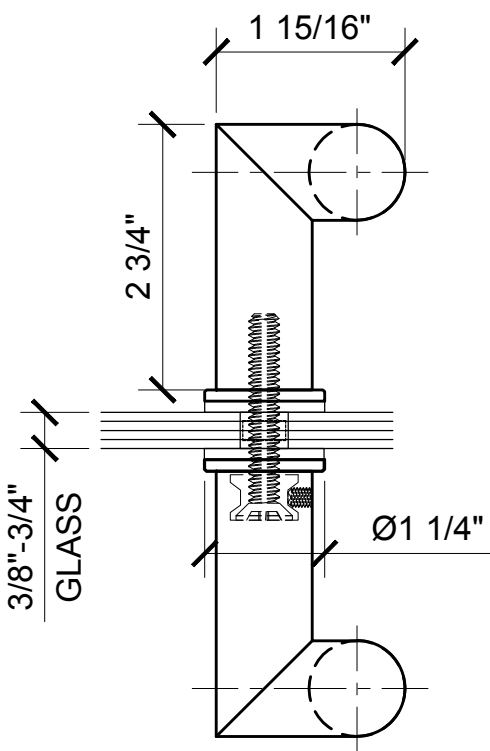
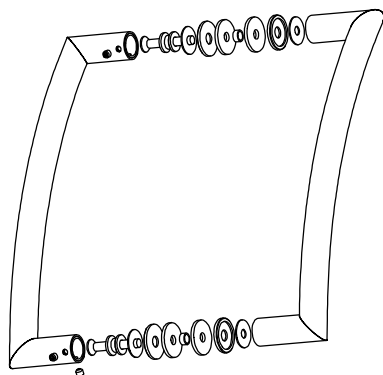


1" (25mm) Diameter Stainless Steel Tubing
Glass Thickness Range: 3/8" to 3/4" (10mm to 19 mm)
Hole Diameter Required: 5/8" (16mm) (2)



PART NUMBER	FINISH	L
RC12X12BS	BRUSHED STAINLESS	12"
RC12X12PS	POLISHED STAINLESS	12"
RC18X18BS	BRUSHED STAINLESS	18"
RC18X18PS	POLISHED STAINLESS	18"
RC24X24BS	BRUSHED STAINLESS	24"
RC24X24PS	POLISHED STAINLESS	24"



C.R. LAURENCE CO. ARCHITECTURAL PRODUCTS
 2503 E. Vernon Avenue, Los Angeles, C.A 90058-1897
 PH (800)-421-6144 FX: 800-587-7501 www.crlaurence.com

DESCRIPTION: CRL RC SERIES CURVED TUBULAR PULL HANDLE
 PART #: SEE CHART

DATE: 11/8/2018
 SCALE: NTS
 DRAWN BY: VM