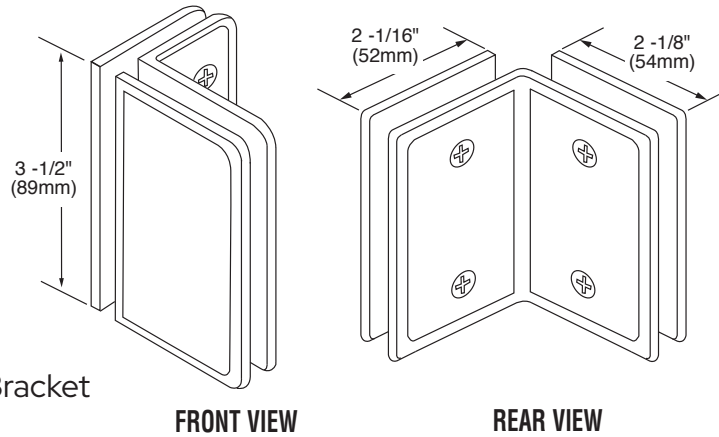


Specifications:

Material: Solid Brass
 Glass Thickness: 3/8" (10 mm) to 1/2" (12mm)
 Hole Size Required: 3/4" (19mm)
 Includes: Mounting screws and gaskets

GLASS CLAMPS

Geneva, Concord and Cardiff Glass Bracket
 CAT. NO. GE090



Specifications:

Material: Solid Brass
 Glass Thickness: 3/8" (10 mm) to 1/2" (12mm)
 Hole Size Required: 3/4" (19mm)
 Includes: Mounting screws and gaskets

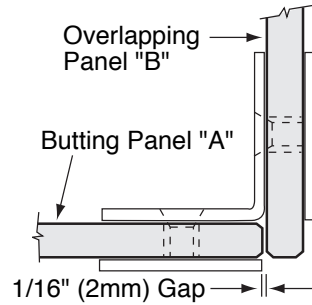
GLASS CLAMPS

Pinnacle and Prima Glass Bracket
 CAT. NO. P1090

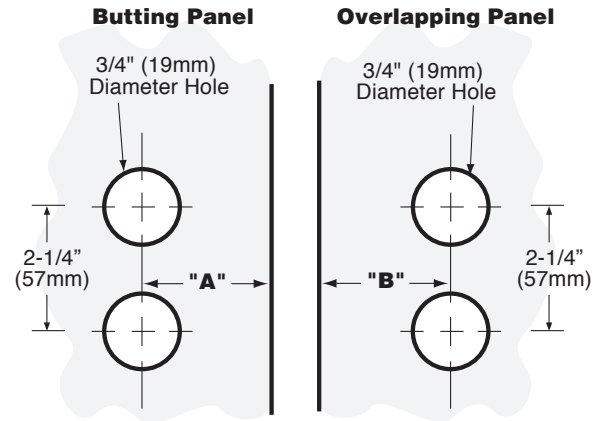
Template Shown on Next Page

***NOTE:** Do not exceed either maximum weight or width when choosing proper quantity of hinges.

TYPICAL INSTALLATION

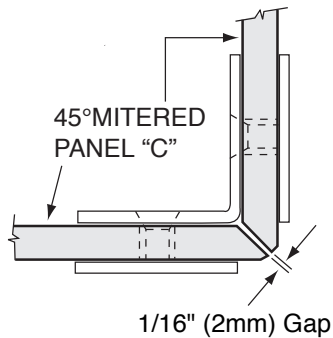


TEMPLATE OPTION FOR SQUARE CUT GLASS

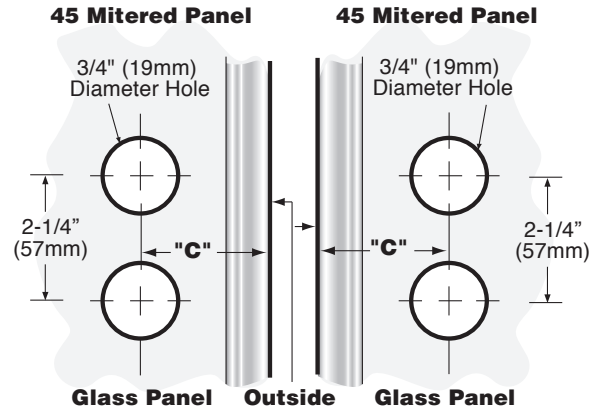


Glass Thickness	"A" Measurement	"B" Measurement
3/8" (10mm)	1-3/8" (35mm)	1-13/16" (46mm)
1/2" (12mm)	1-3/8" (35mm)	1-15/16" (49mm)

TYPICAL INSTALLATION

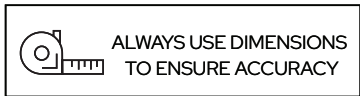


TEMPLATE OPTION FOR 45° MITERED GLASS



Glass Thickness	"C" Measurement
3/8" (10mm)	1-3/4" (44mm)
1/2" (12mm)	1-7/8" (47mm)

*From outside edge of miter



GLASS CLAMPS (90° Glass Bracket)

THE ABOVE TEMPLATE OPTIONS APPLY TO THE FOLLOWING CLAMPS:

Geneva, Concord and Cardiff Glass Bracket | Pinnacle and Prima Glass Bracket

CAT. NO. GE090 | CAT. NO. P1090