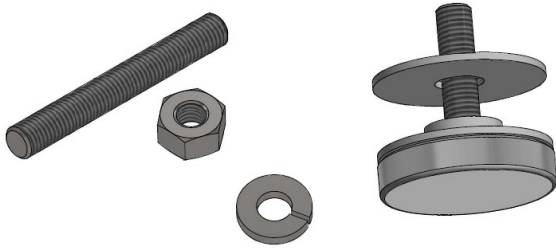


## CRESCENT 90° RETURN PANEL CRE 90 ACCESSORY KIT

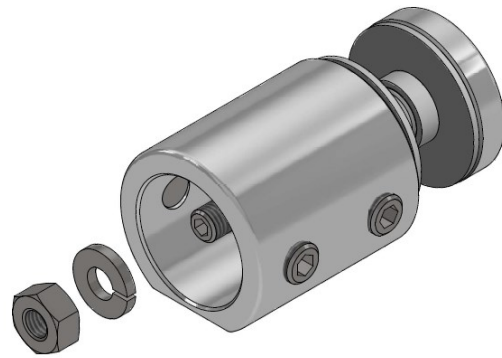
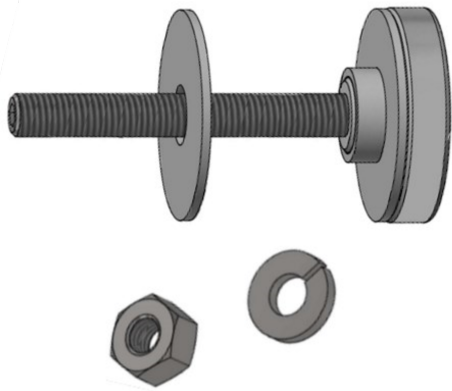


### CRE90 INDIVIDUAL COMPONENT LIST:

- (1) CAP114\_\_ STAINLESS STEEL CAP ASSEMBLY
- (1) AS5162—5/16-18 x 2" HEX HEAD SET SCREW
- (1) LW516S—STAINLESS STEEL LOCK WASHER
- (1) NLN51618S—STAINLESS STEEL LOCK NUT

### STEP 1:

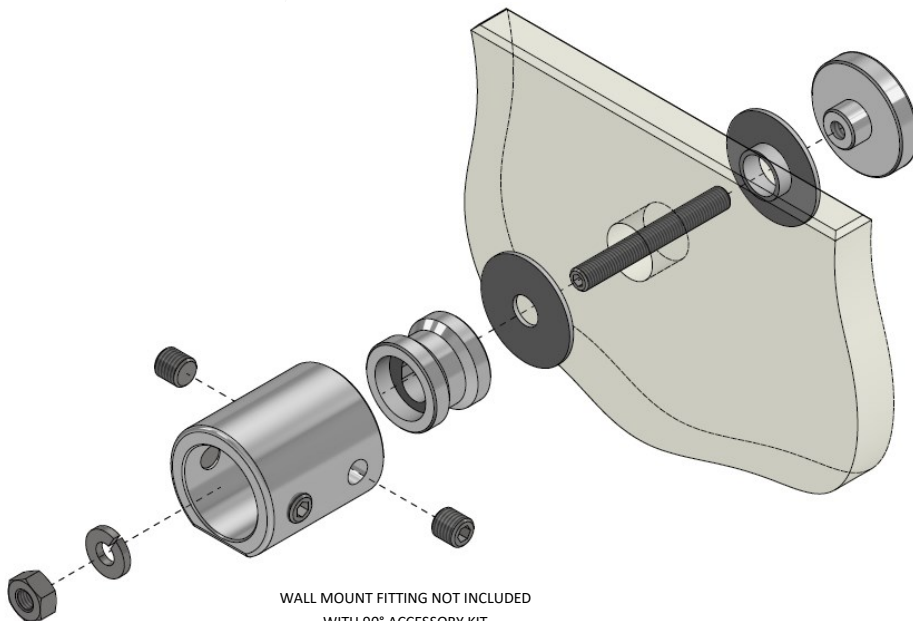
USING THE CAP ASSEMBLY KIT WITH THE 2" HEX HEAD SET SCREW FIRMLY ATTACHED AND THE MOLDED WASHER IN PLACE, INSERT THE CAP ASSEMBLY THROUGH THE FABRICATED GLASS RETURN PANEL, FOLLOWED BY THE FLAT PLASTIC WASHER TO PREVENT GLASS TO METAL CONTACT.



### STEP 2:

MOUNT THE WALL FITTING PROVIDED WITH THE SHOWER KIT, ADD LOCK WASHER FIRST, FOLLOWED BY THE LOCK NUT, AND FASTEN SECURELY. INSTALLATION IS NOW COMPLETE.

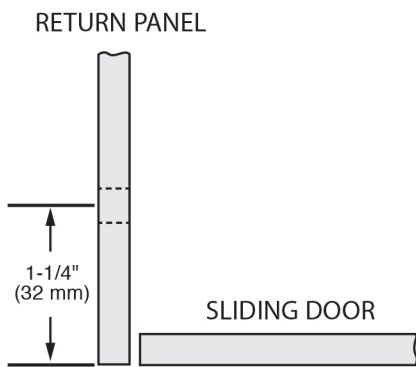
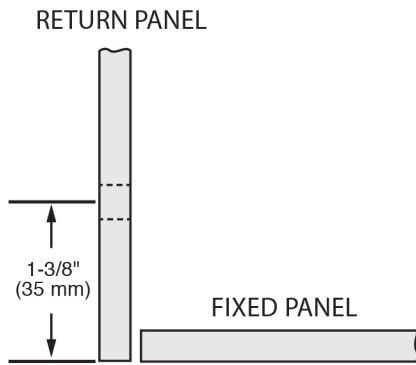
### CRE90\_\_ EXPLODED VIEW OF COMPLETED INSTALLATION



WALL MOUNT FITTING NOT INCLUDED  
WITH 90° ACCESSORY KIT

The return panel hole location varies depending on the glass thickness and shower configuration

## 1/2" GLASS



## 3/8" GLASS

