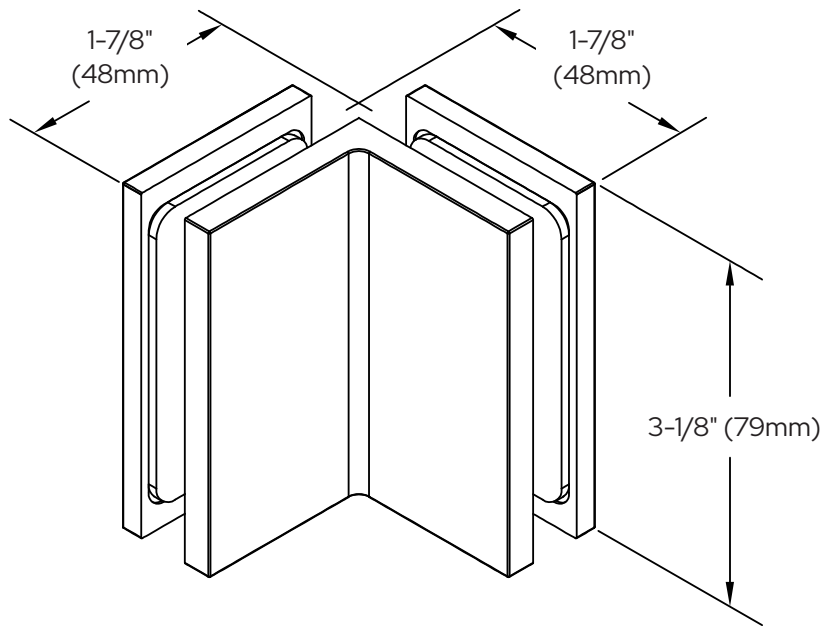


**\* SEE TEMPLATE ON BACK \***  
Refer to Dimensions Shown  
to Ensure Accuracy

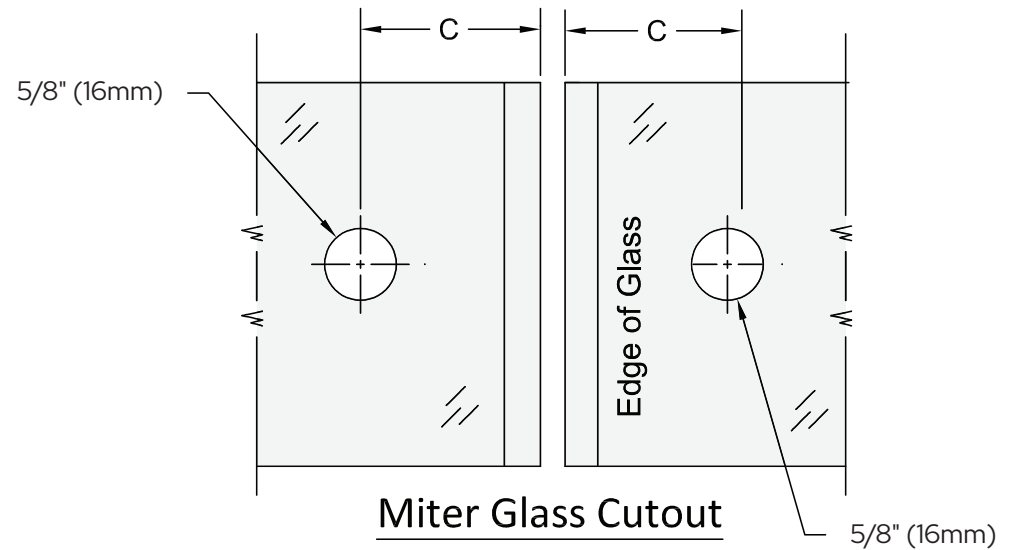
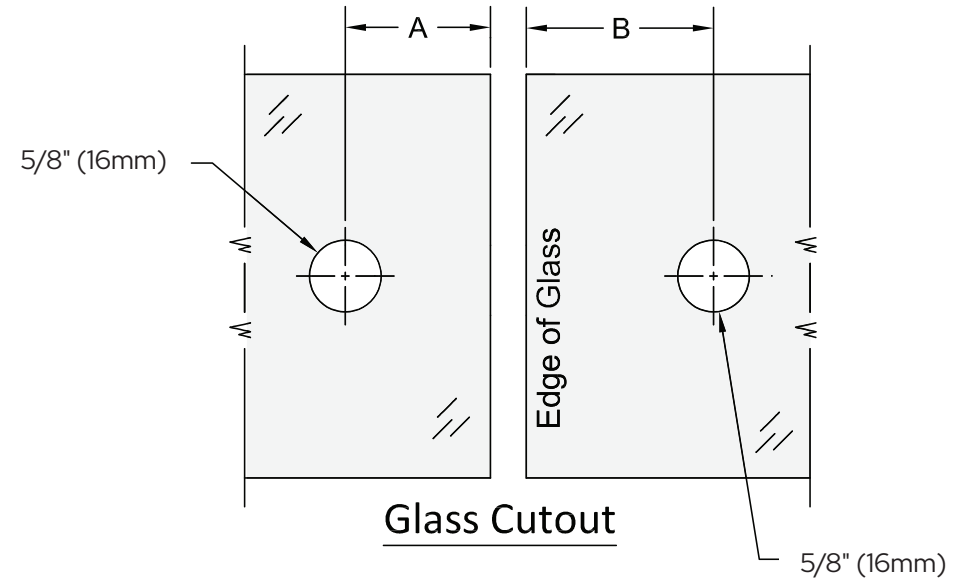
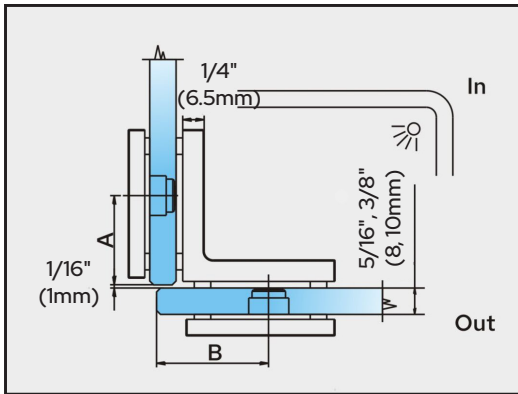


**Specifications:**

Material:	Solid brass
Glass Thickness Range:	5/16" (8mm) to 3/8" (10mm)
Hole Size Required:	5/8" (16mm)
Includes:	Mounting, screws and gaskets

**COMO**  
90° Glass-to-Glass Bracket  
CAT. NO. COM090

**IMPORTANT:** Project measurements from the edge of the glass.



 ALWAYS USE DIMENSIONS TO ENSURE ACCURACY

**COMO**  
90° Glass-to-Glass Bracket  
CAT. NO. COM090