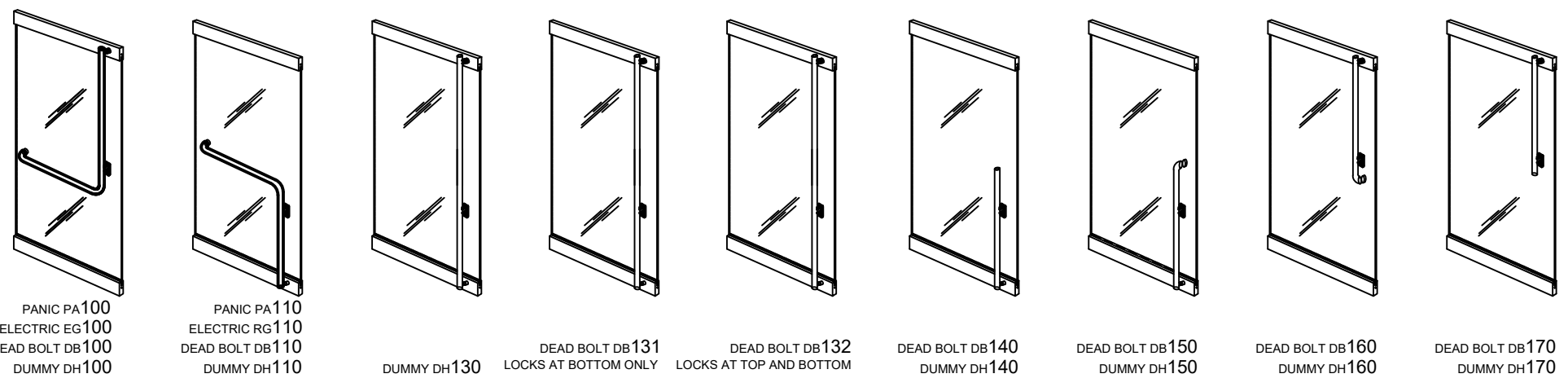
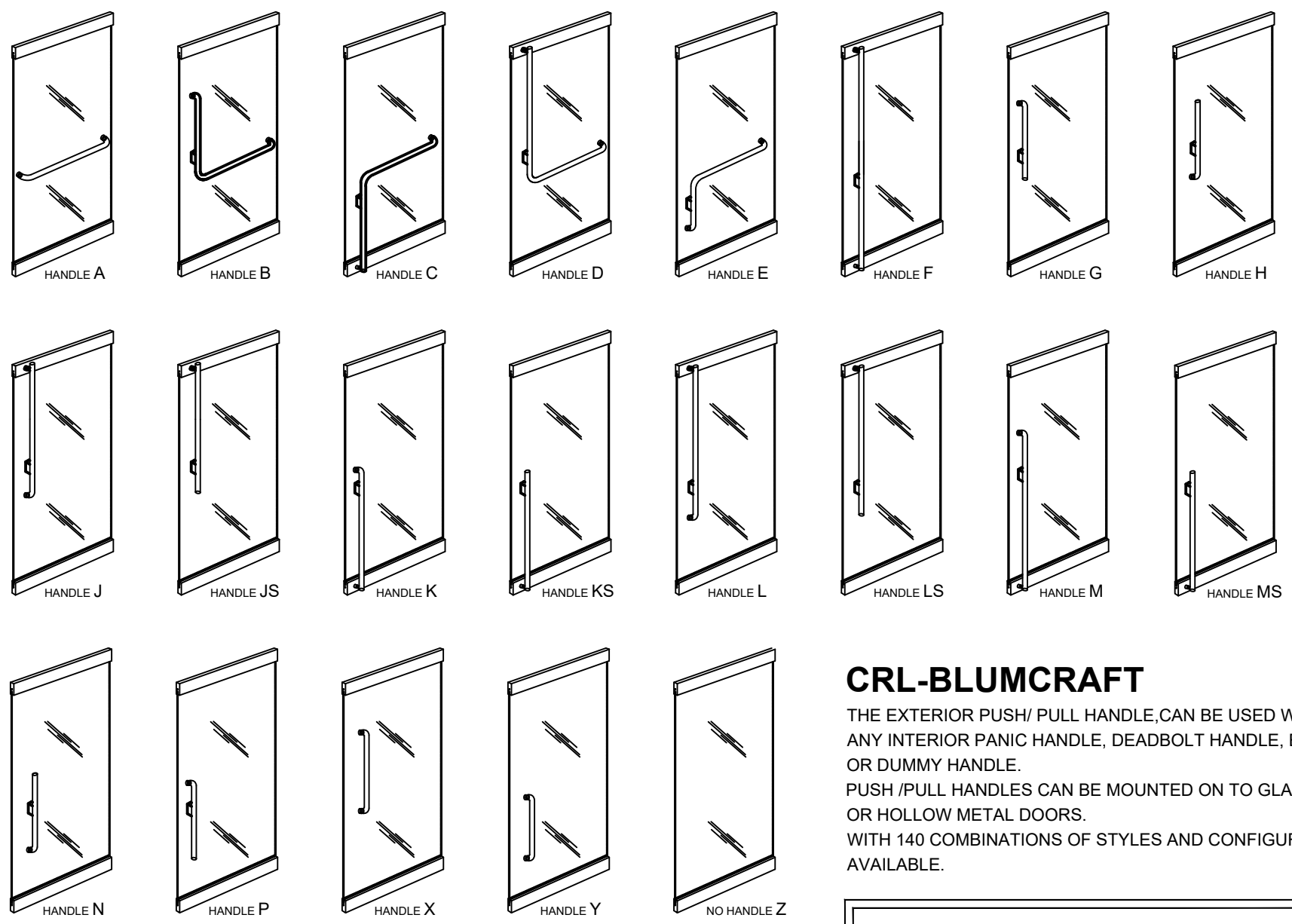


INTERIOR  
OPERATING  
HANDLE



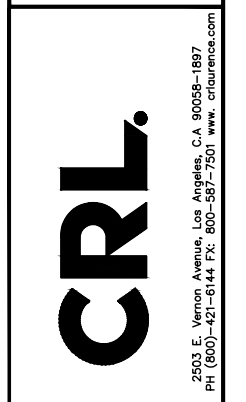
EXTERIOR  
FIXED  
PULL  
HANDLES



**CRL-BLUMCRAFT**

THE EXTERIOR PUSH/ PULL HANDLE,CAN BE USED WITH ANY INTERIOR PANIC HANDLE, DEADBOLT HANDLE, ELECTRONIC EGRESS OR DUMMY HANDLE.  
PUSH /PULL HANDLES CAN BE MOUNTED ON TO GLASS , ALUMINUM, WOOD OR HOLLOW METAL DOORS.  
WITH 140 COMBINATIONS OF STYLES AND CONFIGURATIONS AVAILABLE.

CRL - BLUMCRAFT PANIC HANDLE HAVE 12'-0" (144") SIZE LIMITATION FOR DOOR HEIGHTS



Description:  
CRL / BLUMCRAFT  
PANIC HANDLES  
FOR ALL DOOR SYSTEMS

Drawn By: VM  
Date: 10/24/2013  
Scale: 3/4" =1'-0"  
File Name:CRL\_BCRFT PHS.dwg

Sheet

# CRL PA100F PANIC HANDLES MOUNTED ON VARIOUS CRL DOOR SYSTEMS

Revisions By:

# CRL

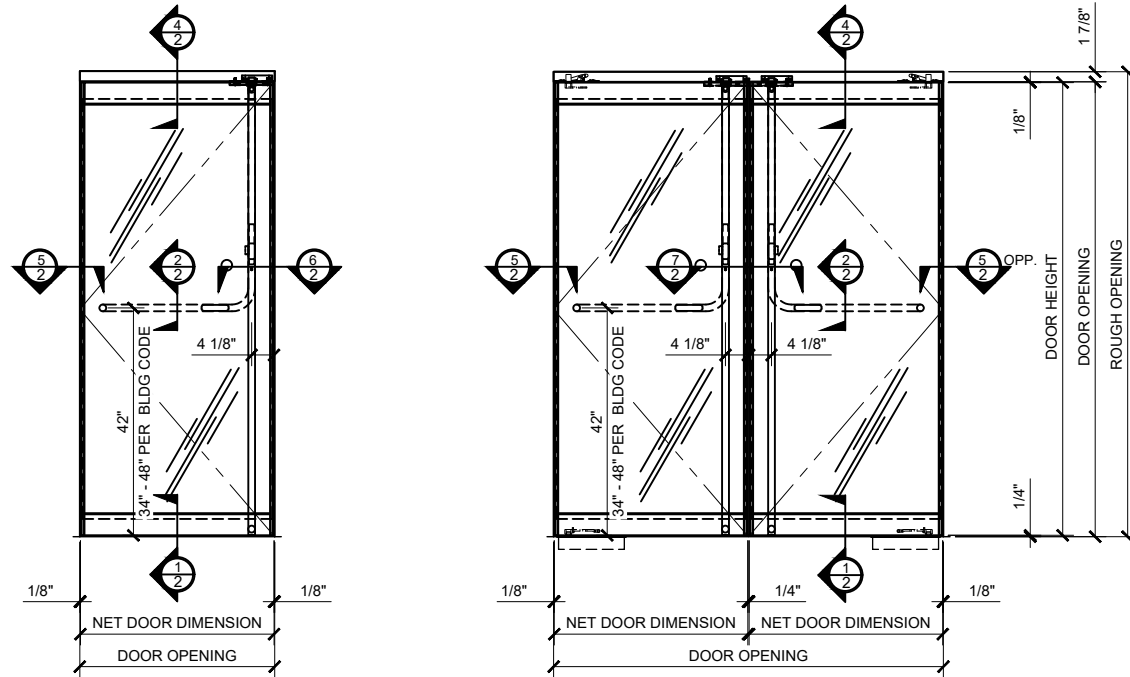
2503 E. Vernon Avenue, Los Angeles, CA 90058-1897  
PH (800)-421-6144 FX: 800-587-7501 www.crlaurence.com

Description:  
CRL / BLUMCRAFT  
PANIC HANDLES  
FOR ALL DOOR SYSTEMS

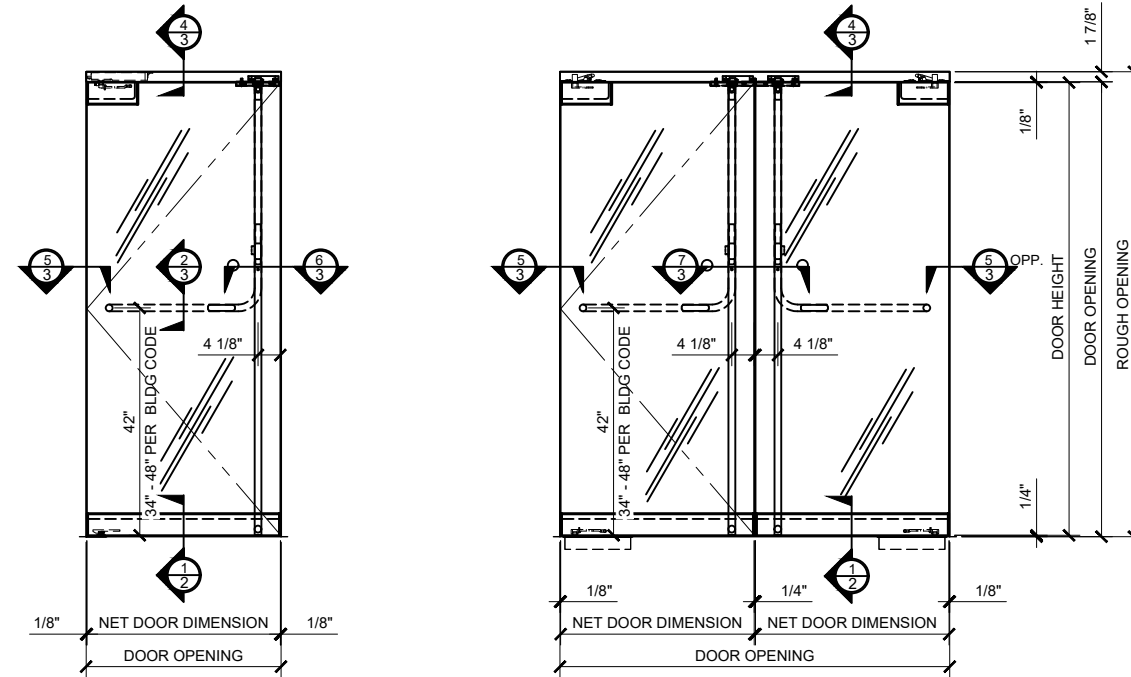
Drawn By: VM  
Date: 10/24/2013  
Scale: 3/4" = 1'-0"  
File Name: CRL\_BCRFT\_PHS.dwg

Sheet

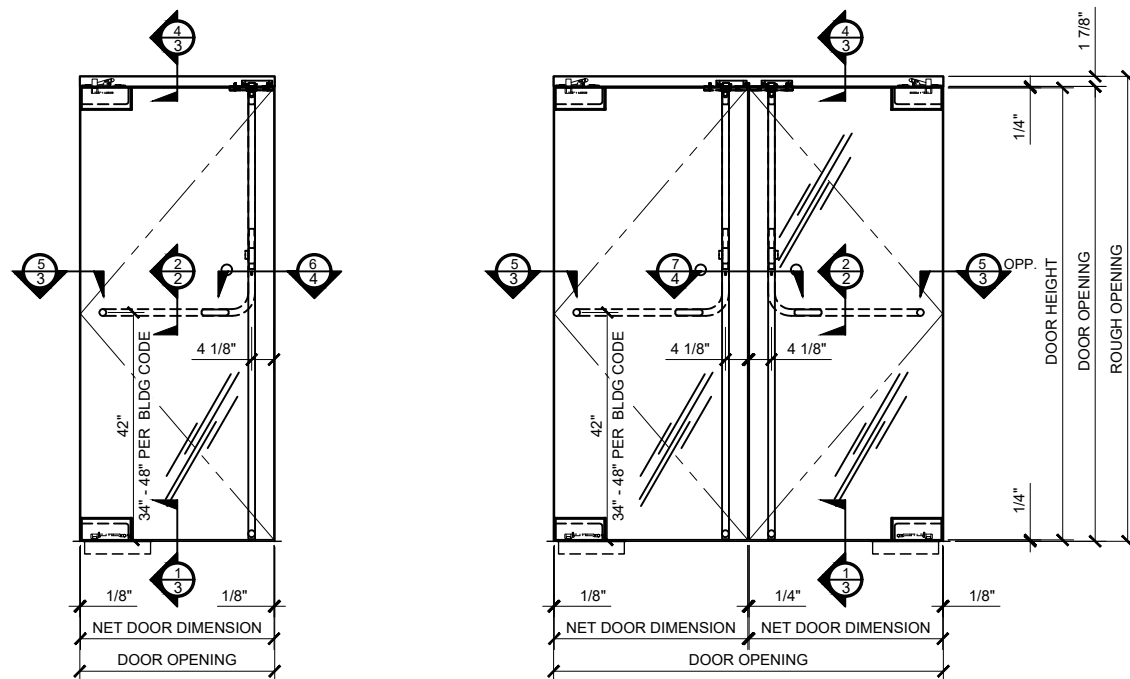
1



HERCULITE "P-STYLE" WEDGE-LOCK RAIL GLASS DOORS WITH MINI STILES



HERCULITE "BP-STYLE" WEDGE-LOCK RAIL GLASS DOORS



HERCULITE "A-STYLE" WEDGE-LOCK PATCH RAIL GLASS DOORS

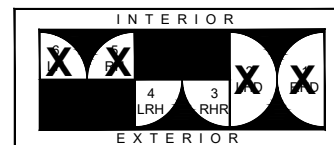
CRL - BLUMCRAFT PANIC HANDLE HAVE  
12'-0" (144") SIZE LIMITATION FOR DOOR  
HEIGHTS

- \* WIDE SELECTION OF EXTERIOR PULL HANDLES ARE AVAILABLE
- \* STANDARD CONFIGURATIONS AVAILABLE FOR PA100, DB100 AND EG100
- \* PA100 PANICS ARE COMPATIBLE WITH ELECTRIC STRIKES
- \* STANDARD CONFIGURATIONS AVAILABLE FOR PA110, DB110 AND EG110
- \* ALL PANICS COME WITH A DOGGING FEATURE
- \* ALL CONFIGURATIONS AVAILABLE WITH OR WITHOUT KEYED ACCESS DEVICES
- \* AVAILABLE IN POLISHED AND BRUSHED STAINLESS STEEL, SATIN AND POLISHED BRASS, AND OIL RUBBED BRONZE
- \* CRL WEDGE-LOCK RAIL SYSTEM "ALL GLASS" DOORS
- \* CRL WEDGE-LOCK PATCH "ALL GLASS" DOORS
- \* CRL / US ALUM FULL FRAME SERIES 400 MEDIUM STILE DOOR SYSTEM
- \* CRL PATCH COMERCIAL SYSTEM "ALL GLASS" DOORS
- \* CRL PANIC HANDLES CAN ALSO BE MOUNTED ON WOOD AND HOLLOW METAL DOORS  
- AVAILABLE FOR ANY DOOR THICKNESS

### "INDUSTRY STANDARD" DOOR STYLES AND SWINGING DOOR PATTERNS

THERE ARE THREE BASIC 'ALL-GLASS' DOOR STYLES TYPICALLY REFERRED TO THROUGHOUT THE INDUSTRY APPLICABLE TO THE CRL SLENDER PROFILE DOOR RAIL SYSTEMS. BY IDENTIFYING YOUR BASIC DOOR STYLE AND SWING, IT WILL HELP MAKE CLEAR WHAT YOUR INTENTIONS ARE FOR THE PARTICULAR PROJECT. FOR MORE INFORMATION, PLEASE CONTACT OUR TECHNICAL SALES DEPARTMENT AT (800) 421-6144 IN THE U.S., (877) 421-6144 IN CANADA, OR (323) 588-1281 INTERNATIONAL. ASK FOR EXT. 7700. YOU CAN SEND E-MAIL THROUGH THE [crlaurence.com](http://crlaurence.com) HOME PAGE. CLICK ON CONTACT US, AND THEN CLICK ON TECHNICAL SALES FOR COMMERCIAL PRODUCTS.

### DOOR SWING CHART



# CRL PA100F PANIC HANDLES MOUNTED ON VARIOUS CRL DOOR SYSTEMS

Revisions By:

# CRL

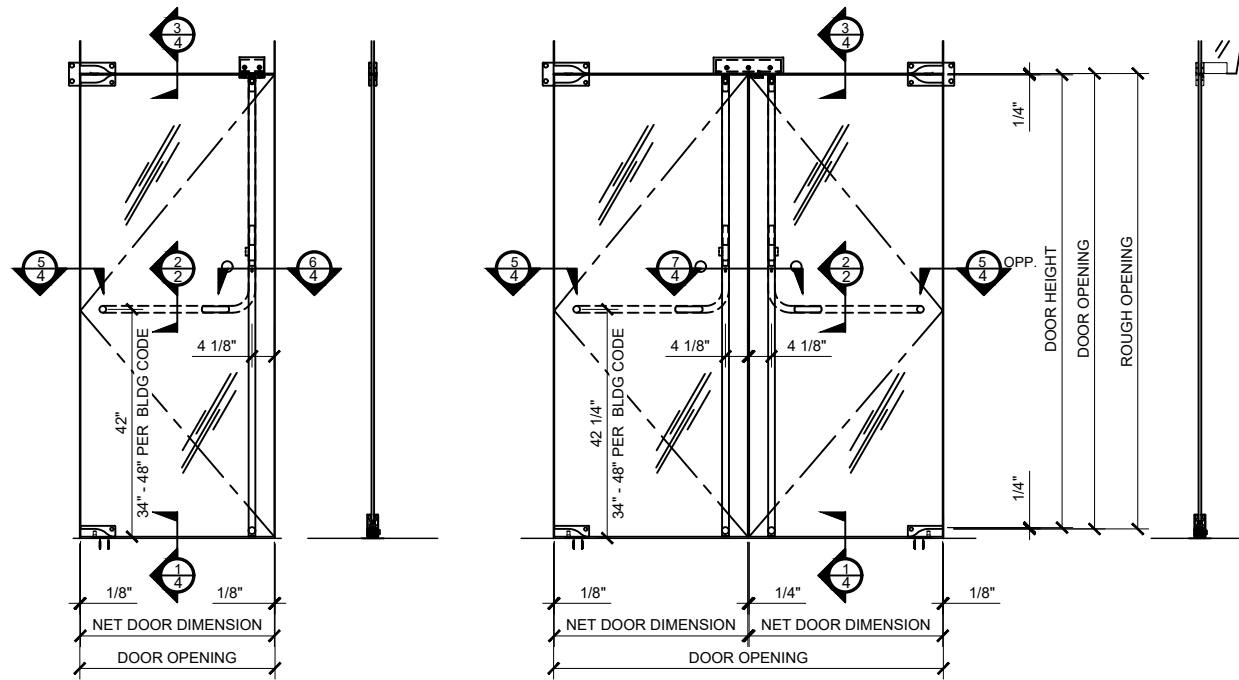
2503 E. Vernon Avenue, Los Angeles, CA 90058-1897  
PH (800)-421-0144 FX: 800-587-7501 www.craurence.com

Description:  
CRL / BLUMCRAFT  
PANIC HANDLES  
FOR ALL DOOR SYSTEMS

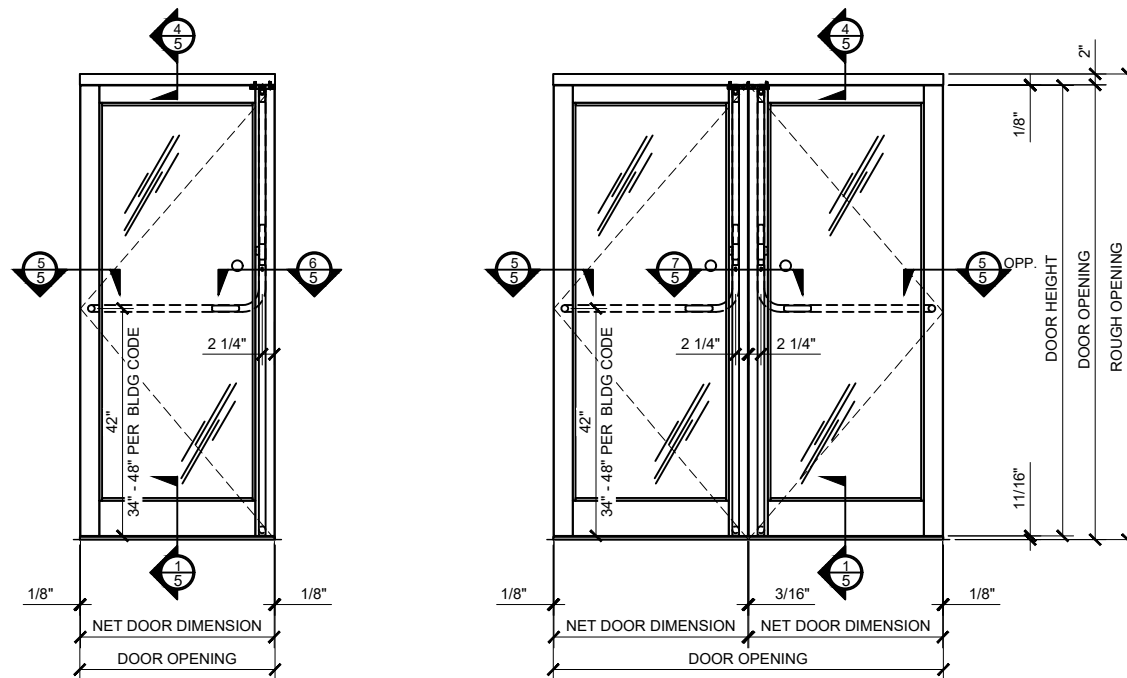
Drawn By: VM  
Date: 10/24/2013  
Scale: 3/4" = 1'-0"  
File Name: CRL\_BCRFT\_PHS.dwg  
Sheet

CRL - BLUMCRAFT PANIC HANDLE HAVE  
12'-0" (144") SIZE LIMITATION FOR DOOR  
HEIGHTS

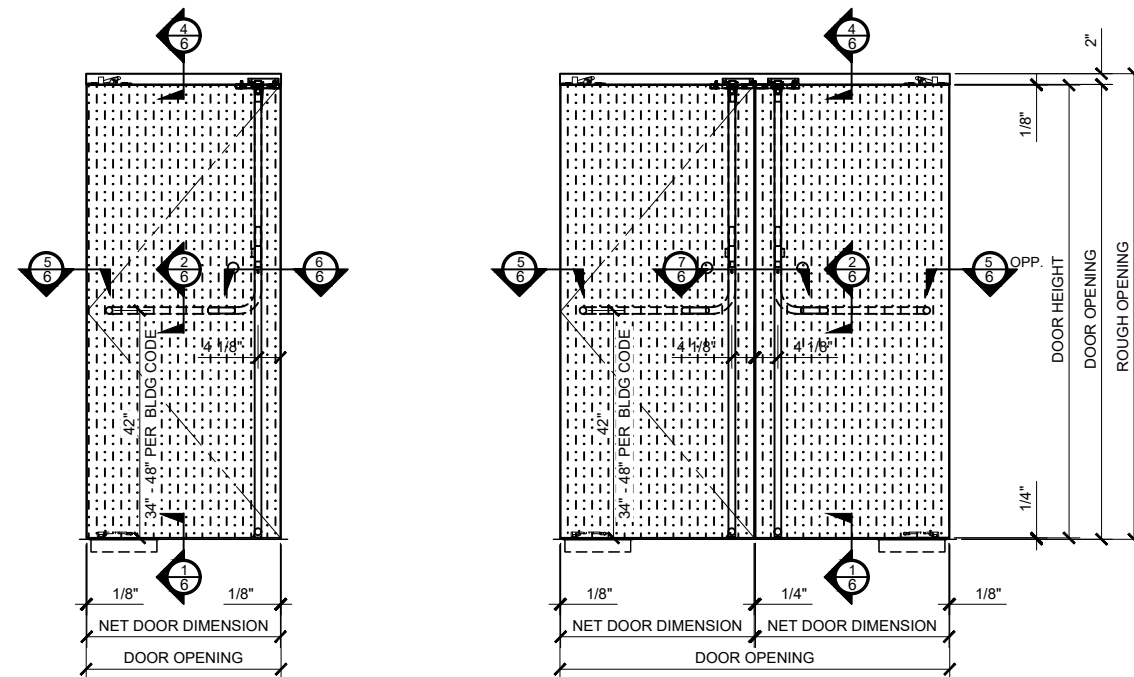
- \* HARDWARE FABRICATED FROM 1 1/4" DIAMETER STAINLESS STEEL OR ARCHITECTURAL BRONZE TUBING
- \* WIDE SELECTION OF EXTERIOR PULL HANDLES ARE AVAILABLE
- \* STANDARD CONFIGURATIONS AVAILABLE FOR PANIC HANDLES, DEADBOLT HANDLES, ELECTRONIC EGRESS OR DUMMY HANDLES
- \* PA100 PANICS ARE COMPATIBLE WITH ELECTRIC STRIKES
- \* STANDARD CONFIGURATIONS AVAILABLE FOR PA110, DB110 AND EG110
- \* ALL PANICS COME WITH A DOGGING FEATURE
- \* ALL CONFIGURATIONS AVAILABLE WITH OR WITHOUT KEYED ACCESS DEVICES
- \* AVAILABLE IN POLISHED AND BRUSHED STAINLESS STEEL, SATIN AND POLISHED BRASS, AND OIL RUBBED BRONZE
- \* CRL WEDGE-LOCK RAIL SYSTEM "ALL GLASS" DOORS
- \* CRL WEDGE-LOCK PATCH "ALL GLASS" DOORS
- \* CRL / US ALUM FULL FRAME SERIES 400 MEDIUM STILE DOOR SYSTEM
- \* CRL PATCH COMERCIAL SYSTEM "ALL GLASS" DOORS
- \* CRL PANIC HANDLES CAN ALSO BE MOUNTED ON WOOD AND HOLLOW METAL DOORS  
- AVAILABLE FOR ANY DOOR THICKNESS



CRL NORTH AMERICAN COMMERCIAL PATCH ALL GLASS DOORS

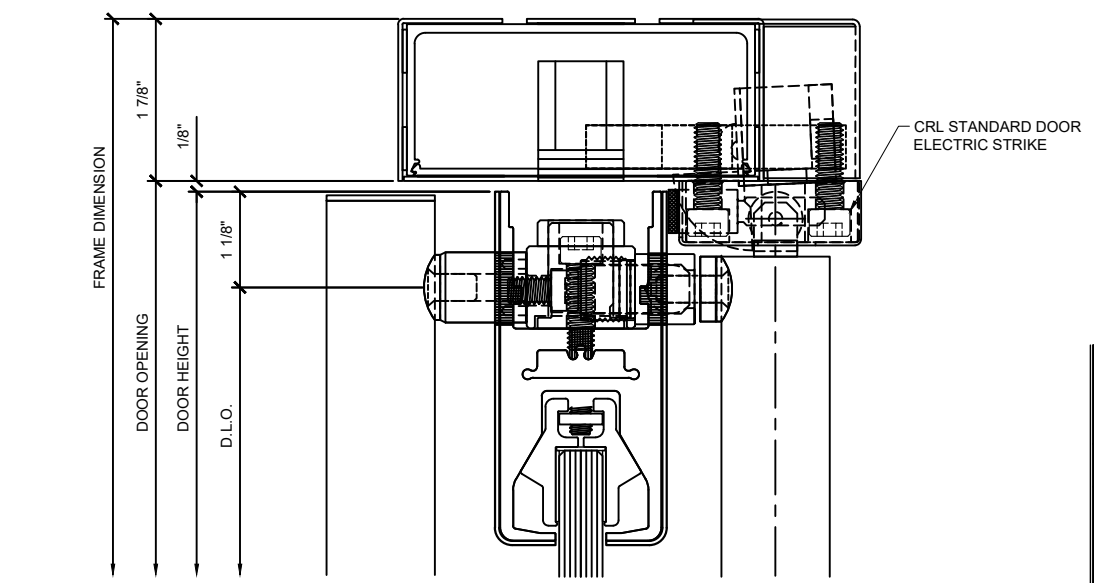


CRL-US ALUM CENTER-HUNG MEDIUM STILE SERIES 400 DOOR TYPICAL ELEVATION

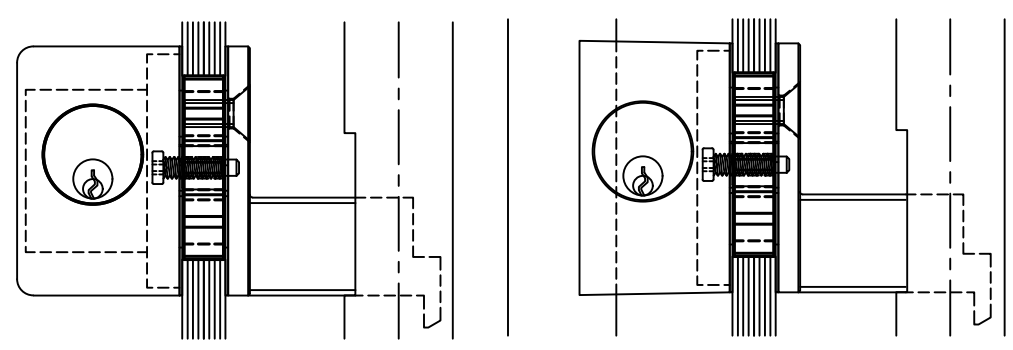


CRL P100F PANIC HANDLES MOUNTED ON WOOD DOORS ANY THICKNESS

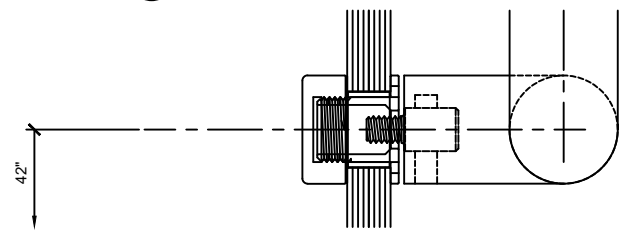
ALL MOUNTING POSITIONS MUST HAVE A SOLID CORE  
ALSO AVAILABLE FOR HOLLOW METAL DOORS



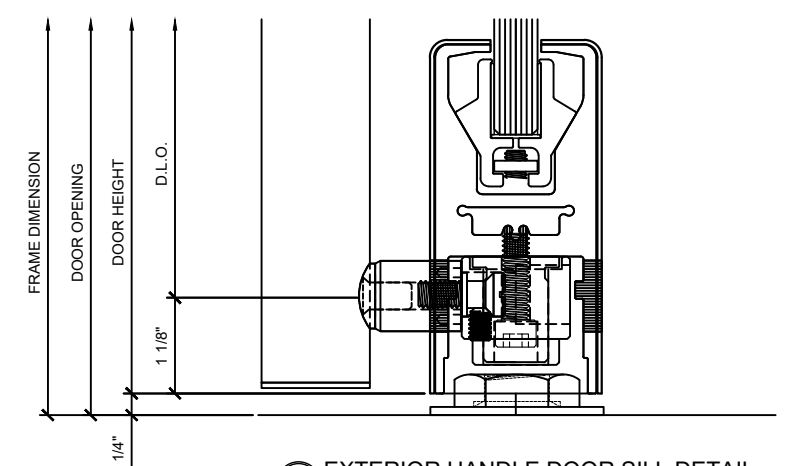
4 PANIC HANDLE DOOR HEAD DETAIL  
 WEDGE-LOCK "P" STYLE ALL GLASS DOOR W/PA100F



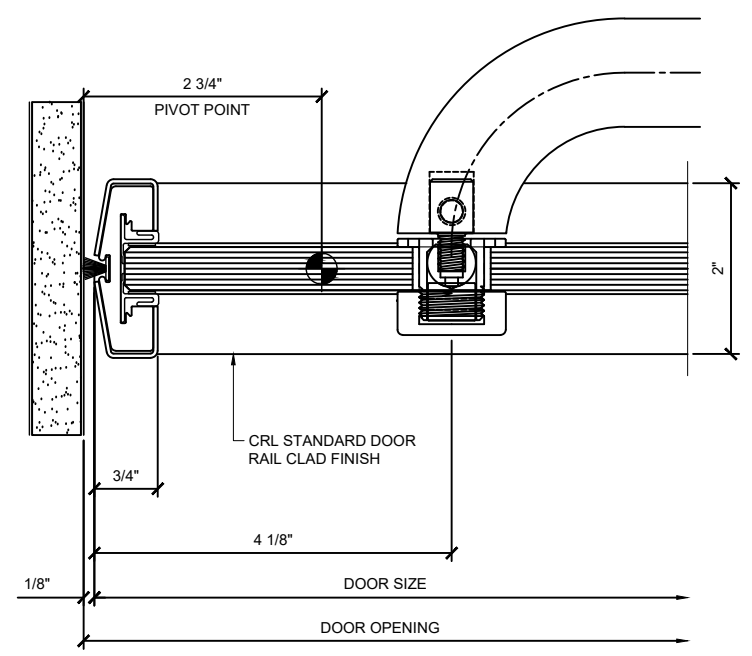
3 KEYED PANIC ACTUATOR DETAILS  
 1/2" ALL GLASS DOOR W/ PA100\_



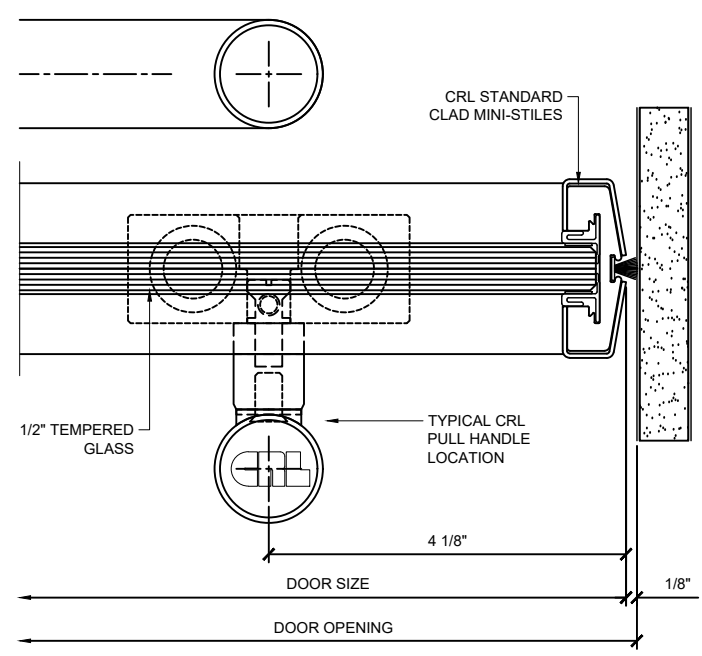
2 INTERIOR PANIC HANDLE DETAIL  
 1/2" ALL GLASS DOOR W/ PA100\_



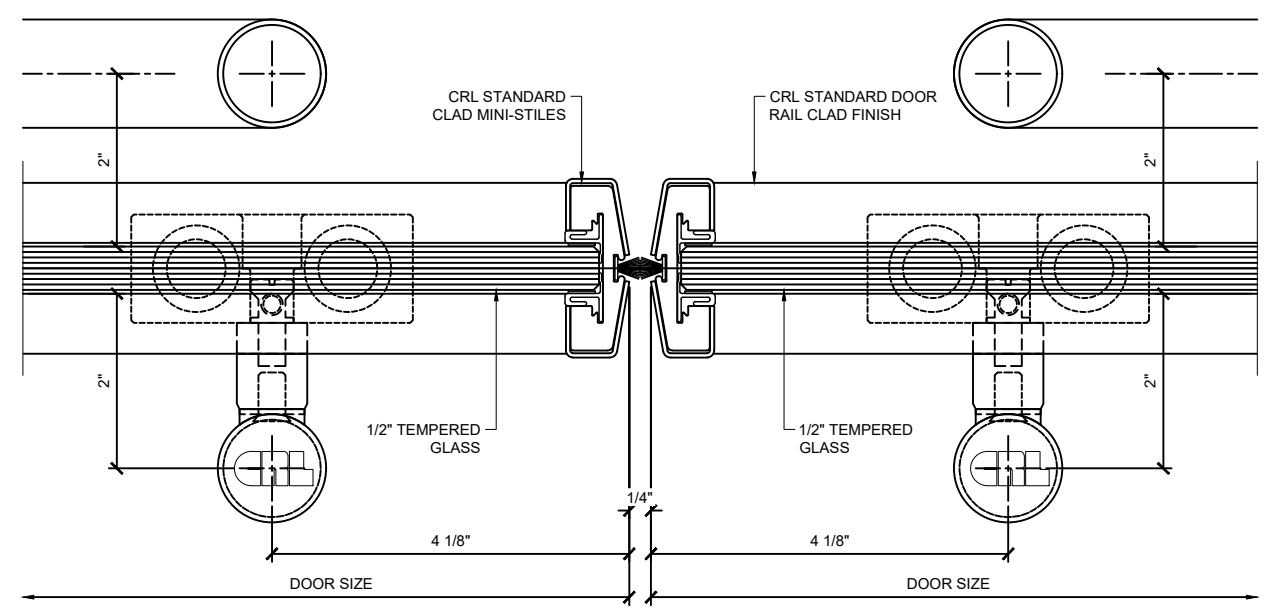
1 EXTERIOR HANDLE DOOR SILL DETAIL  
 WEDGE-LOCK "P & BP" STYLE ALL GLASS DOOR W/ PA100F



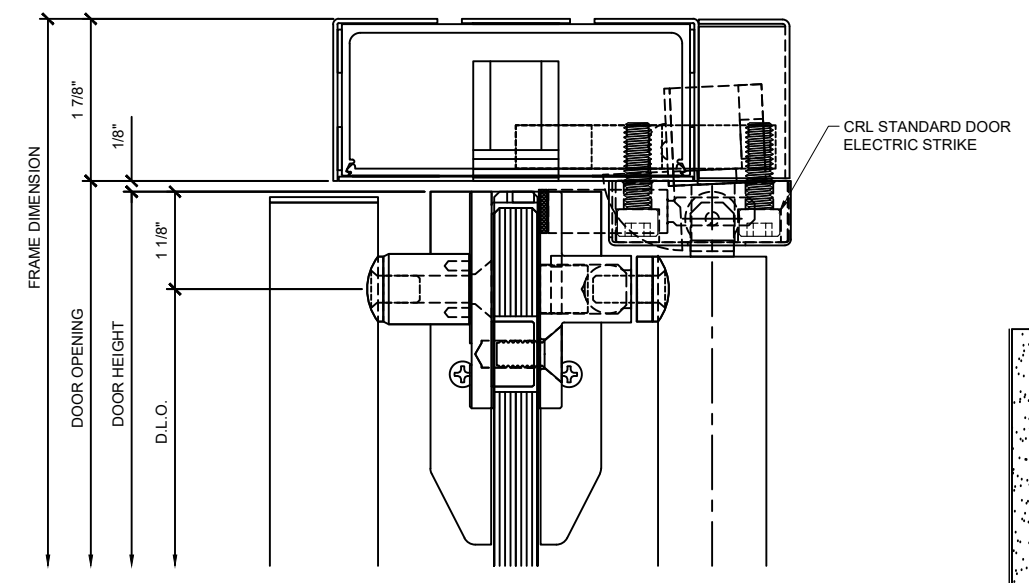
5 JAMB DETAIL AT PANIC HANDLE HINGE SIDE  
 WEDGE-LOCK "P" STYLE ALL GLASS DOOR W/ PA100F



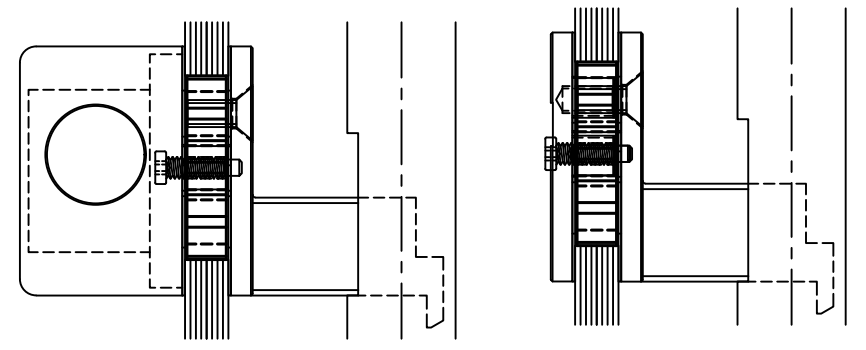
6 JAMB DETAIL AT PANIC HANDLE LOCK SIDE  
 WEDGE-LOCK "P" STYLE ALL GLASS DOOR W/ PA100F



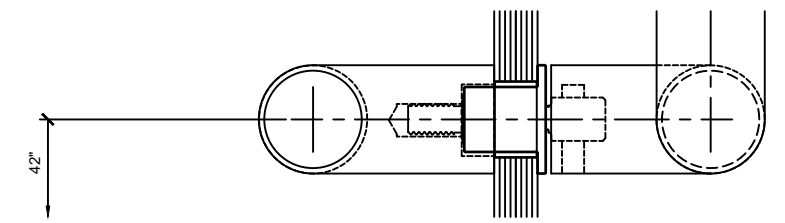
7 MEETING STILES AT PANIC HANDLE  
 WEDGE-LOCK "P" STYLE ALL GLASS DOOR W/ PA100F



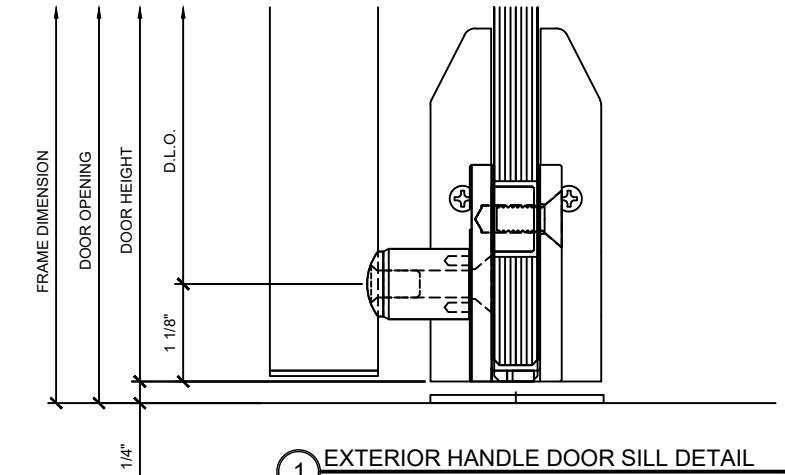
4 PANIC HANDLE DOOR HEAD DETAIL  
WEDGE-LOCK "A & BP" STYLE ALL GLASS DOOR W/PA100F



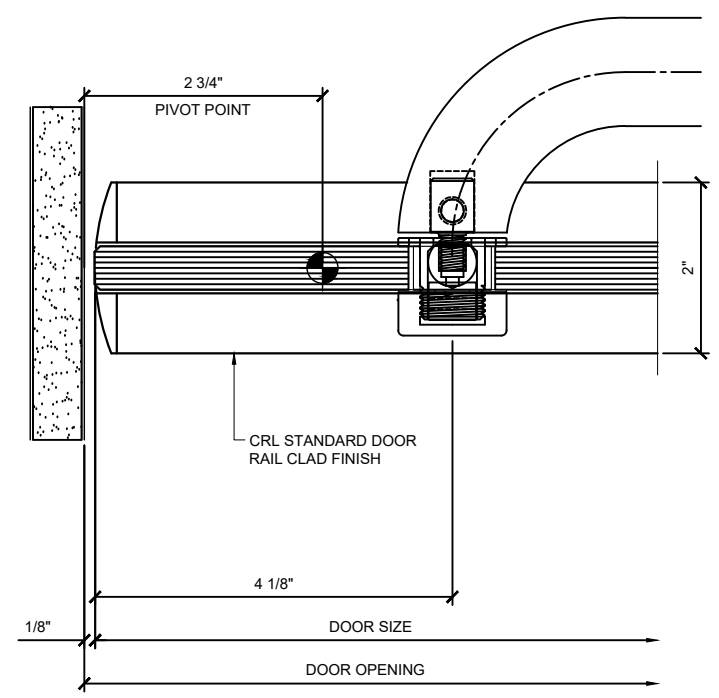
3 PANIC ACTUATOR OPTIONAL DETAILS  
1/2" ALL GLASS DOOR W/ PA100\_



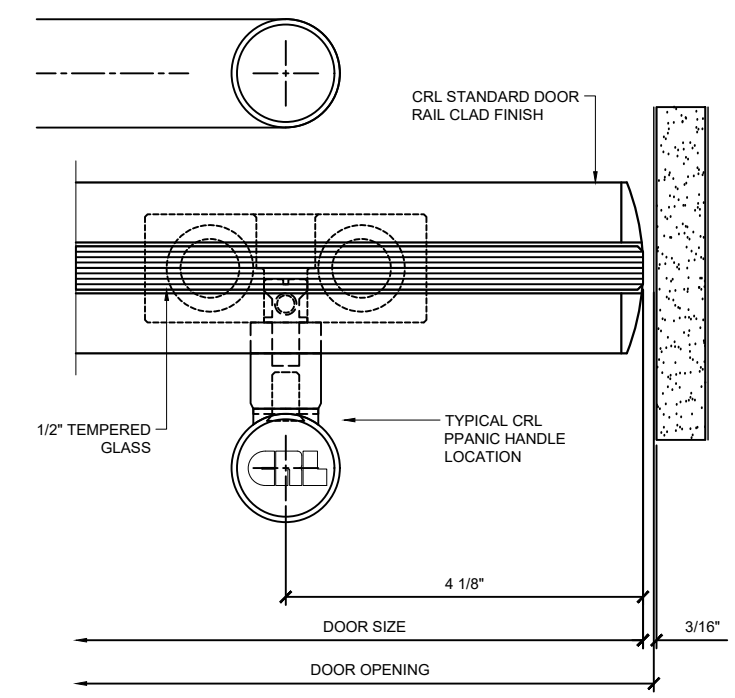
2 B TO B PANIC HANDLE DETAIL  
1/2" ALL GLASS DOOR W/ PA100\_



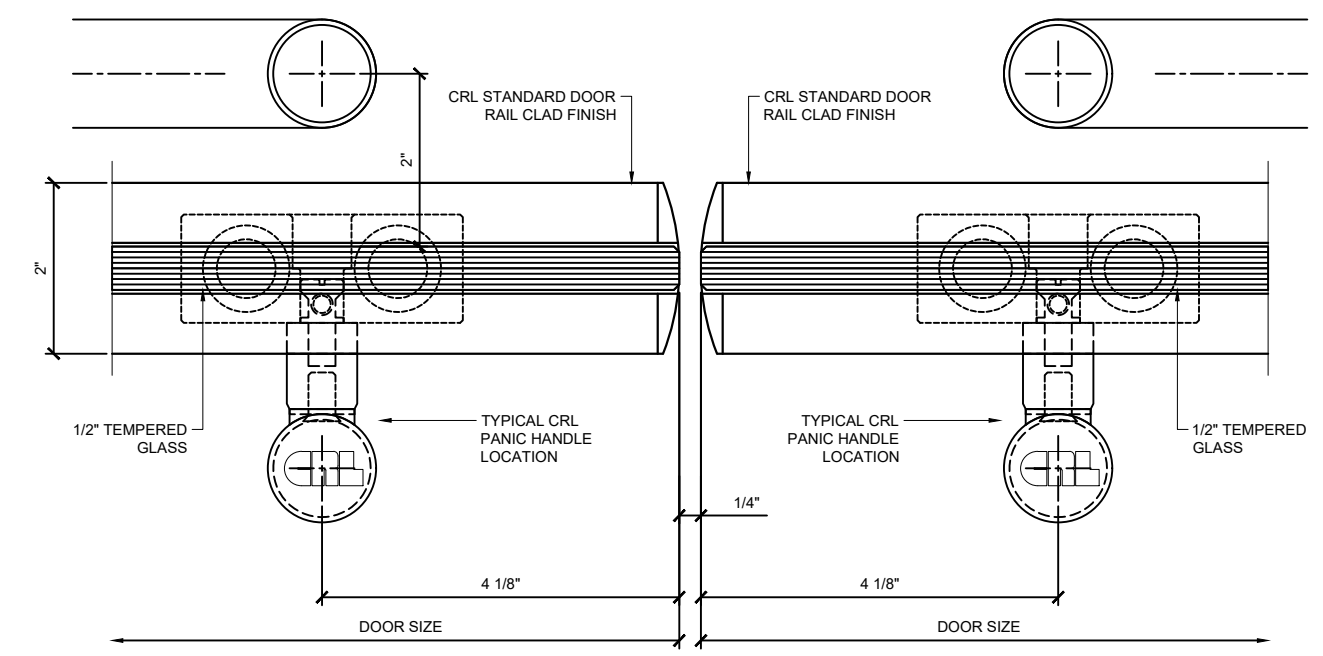
1 EXTERIOR HANDLE DOOR SILL DETAIL  
WEDGE-LOCK "A" STYLE ALL GLASS DOOR W/ PA100F



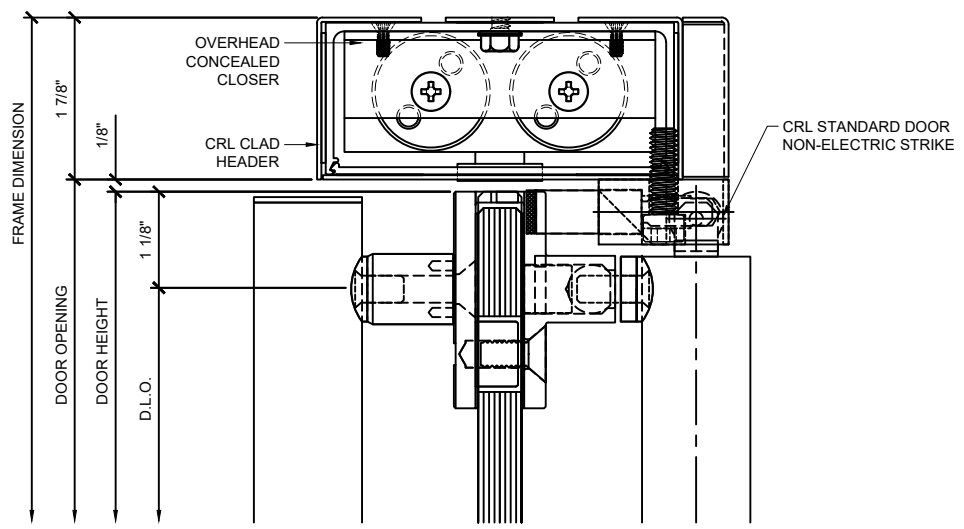
5 JAMB DETAIL AT PANIC HANDLE HINGE SIDE  
WEDGE-LOCK "BP" STYLE ALL GLASS DOOR W/ PA100F



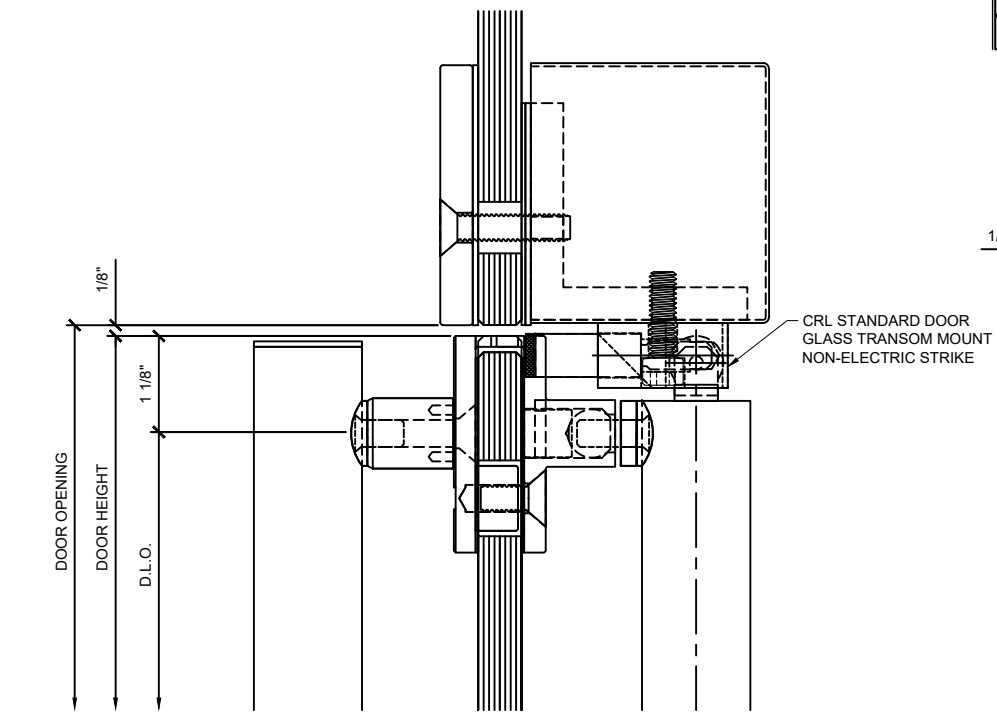
6 JAMB DETAIL AT PANIC HANDLE LOCK SIDE  
WEDGE-LOCK "BP" STYLE ALL GLASS DOOR W/ PA100F



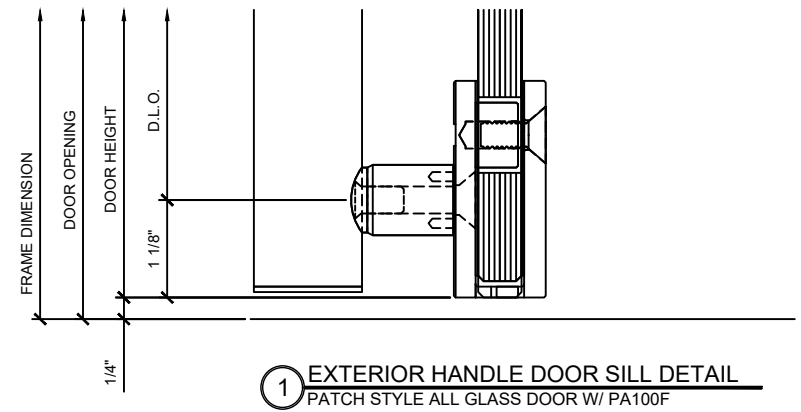
7 MEETING STILES AT PANIC HANDLE  
WEDGE-LOCK "BP" STYLE ALL GLASS DOOR W/ PA100F



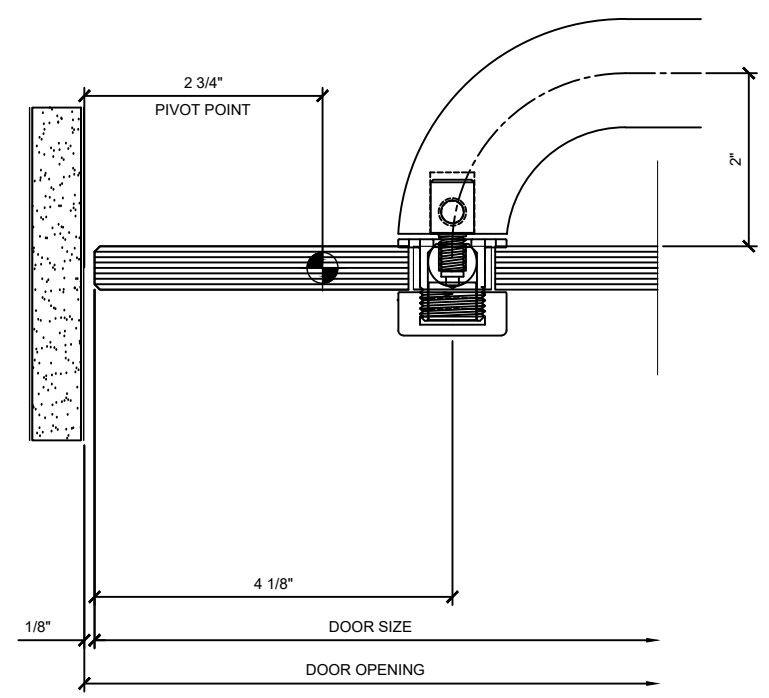
4 PANIC HANDLE DOOR HEAD DETAIL  
 PATCH STYLE ALL GLASS DOOR W/PA100F



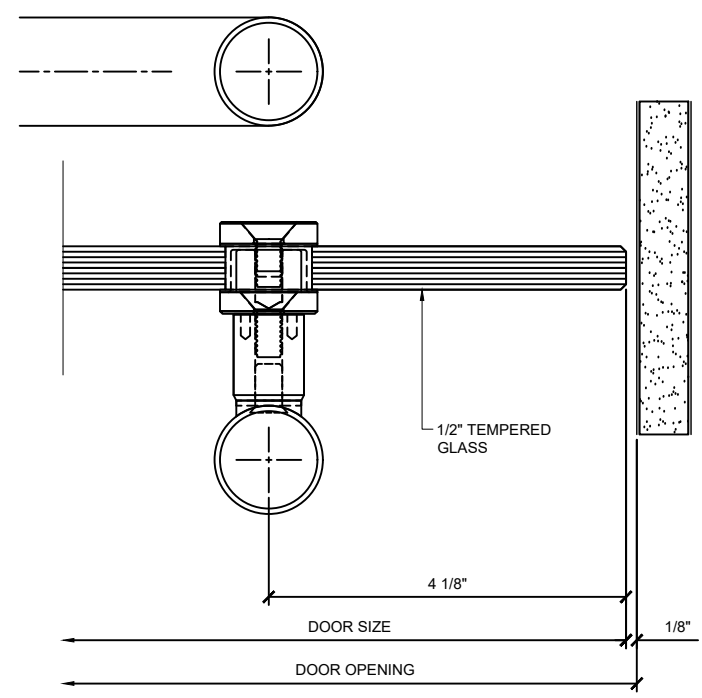
3 PANIC HANDLE DOOR GLASS TRANSOM DETAIL  
 PATCH STYLE ALL GLASS DOOR W/PA100F



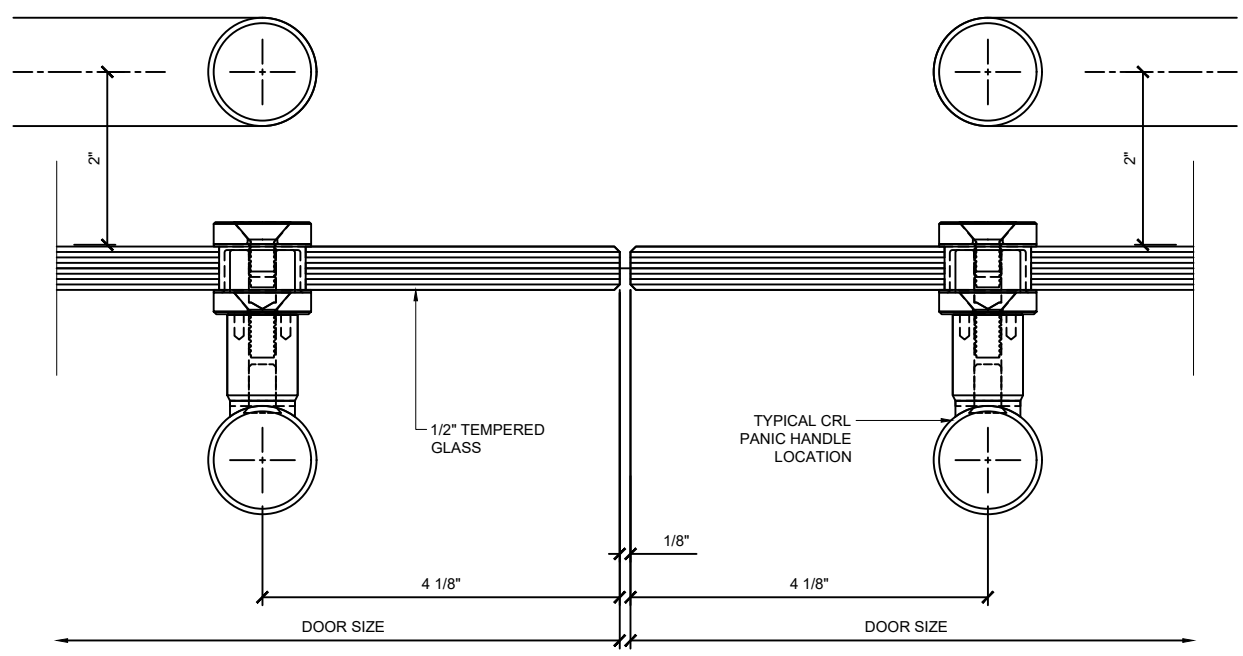
1 EXTERIOR HANDLE DOOR SILL DETAIL  
 PATCH STYLE ALL GLASS DOOR W/ PA100F



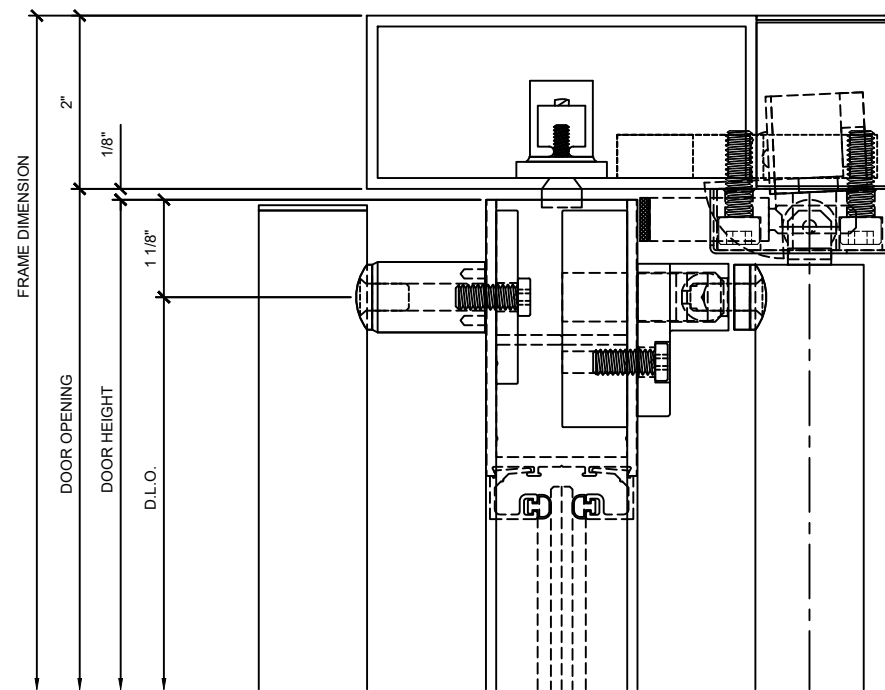
5 JAMB DETAIL AT PANIC HANDLE HINGE SIDE  
 PATCH STYLE ALL GLASS DOOR W/ PA100F



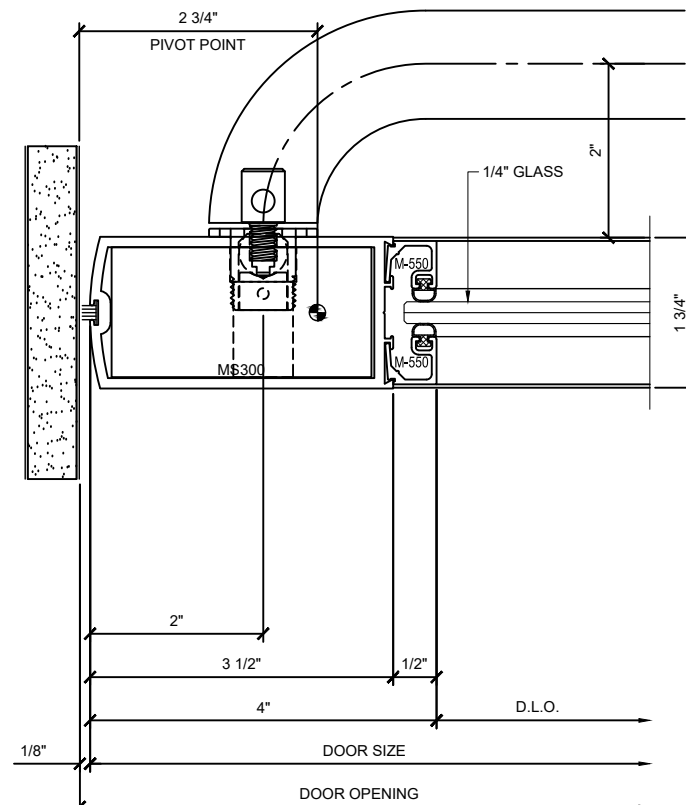
6 JAMB DETAIL AT PANIC HANDLE LOCK SIDE  
 PATCH STYLE ALL GLASS DOOR W/ PA100F



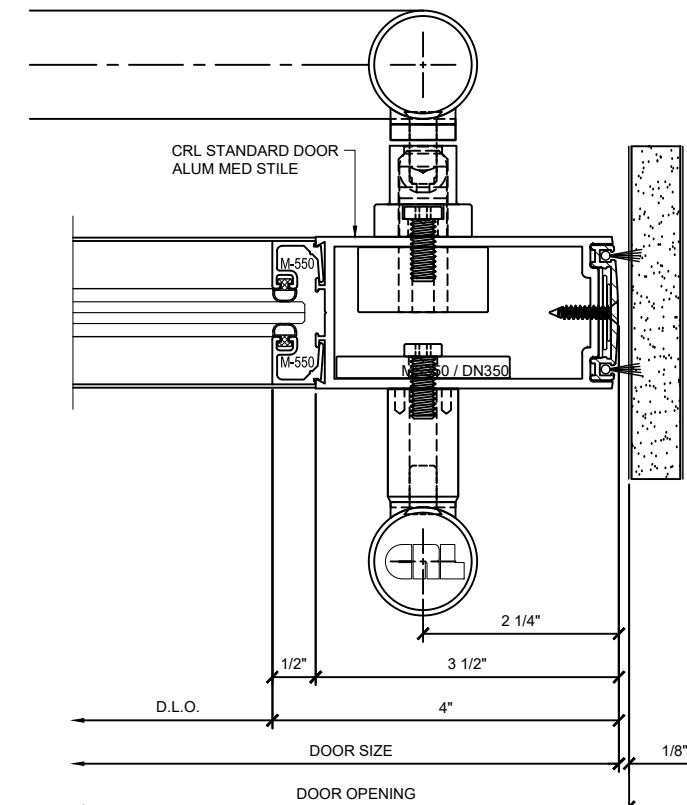
7 MEETING STILES AT PANIC HANDLE  
 PATCH STYLE ALL GLASS DOOR W/ PA100F



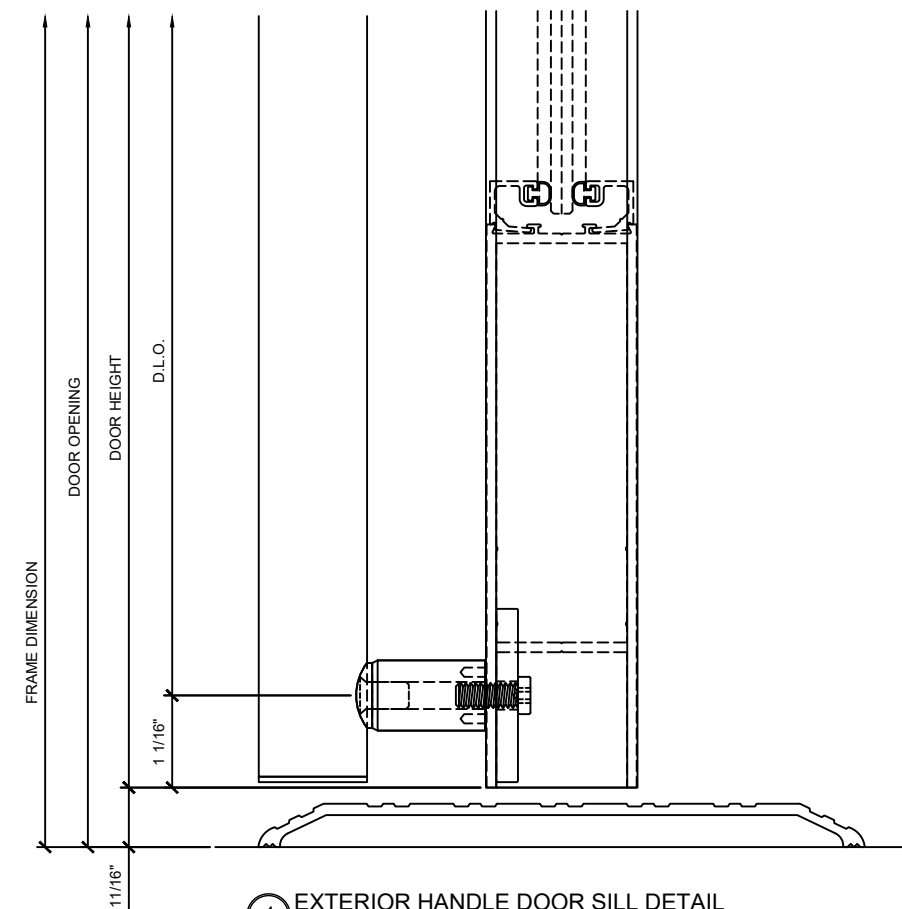
4 PANIC HANDLE DOOR HEAD DETAIL  
 CRL-US ALUM SERIES 400 FULL FRAMED DOOR W/PA100F



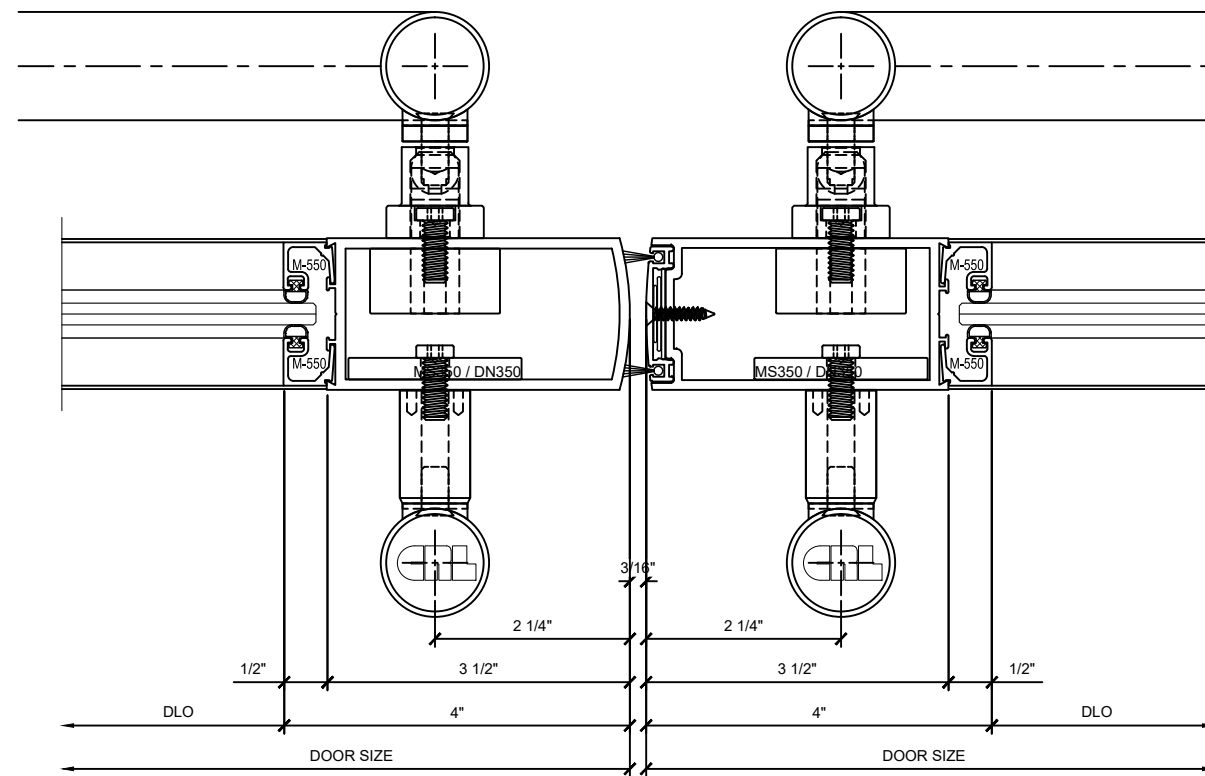
5 JAMB DETAIL AT PANIC HANDLE HINGE SIDE  
 CRL-US ALUM SERIES 400 FULL FRAMED DOOR W/PA100F



6 JAMB DETAIL AT PANIC HANDLE LOCK SIDE  
 CRL-US ALUM SERIES 400 FULL FRAMED DOOR W/PA100F



1 EXTERIOR HANDLE DOOR SILL DETAIL  
 CRL-US ALUM SERIES 400 FULL FRAMED DOOR W/PA100F



7 MEDIUM MEETING STILES AT PANIC HANDLE  
 CRL-US ALUM SERIES 400 FULL FRAMED DOOR W/PA100F

Revisions By:

**CRL**

2503 E. Verdon Avenue, Los Angeles, CA 90058-1897  
 PH (800)-421-0144 FX: 800-587-7501 www.craurence.com

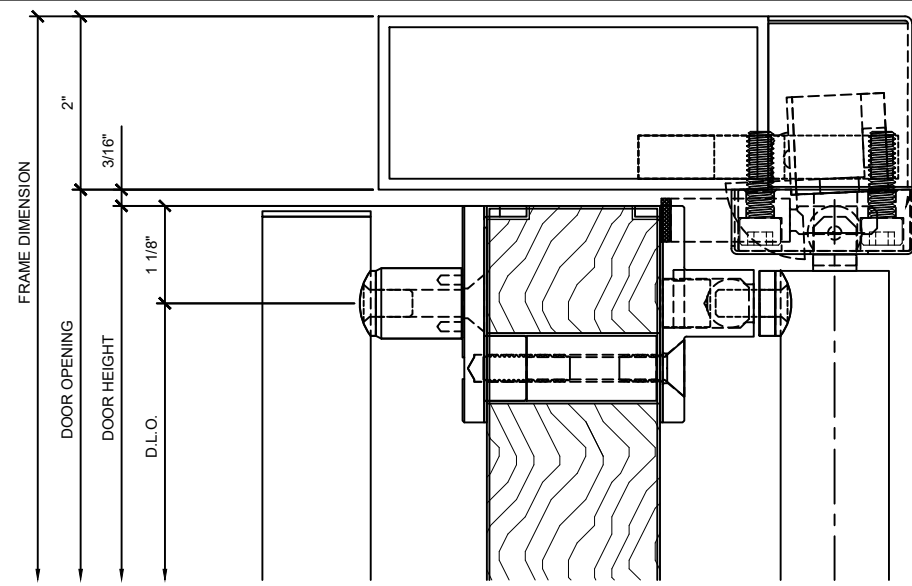
Description:

CRL / BLUMCRAFT  
 PANIC HANDLES  
 FOR ALL DOOR SYSTEMS

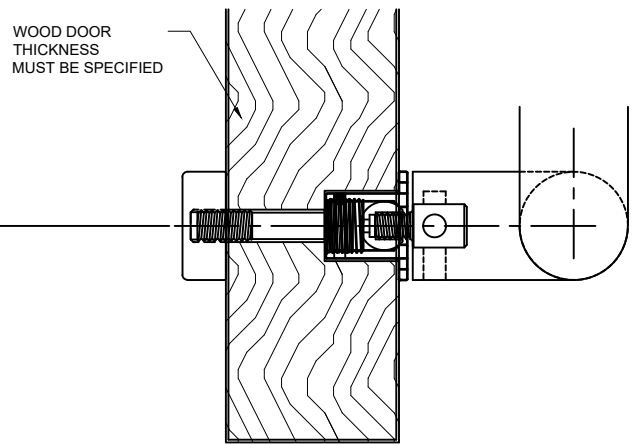
Drawn By: VM  
 Date: 10/24/2013  
 Scale: NTS  
 File Name: CRL\_BCRFT\_PHS.dwg

Sheet

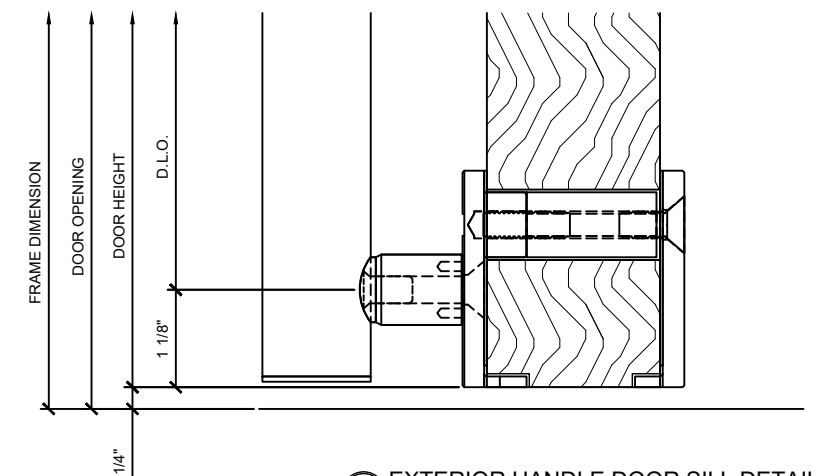
5



4 PANIC HANDLE WOOD DOOR HEAD DETAIL  
2" THICK SOLID WOOD DOOR W/PA100F

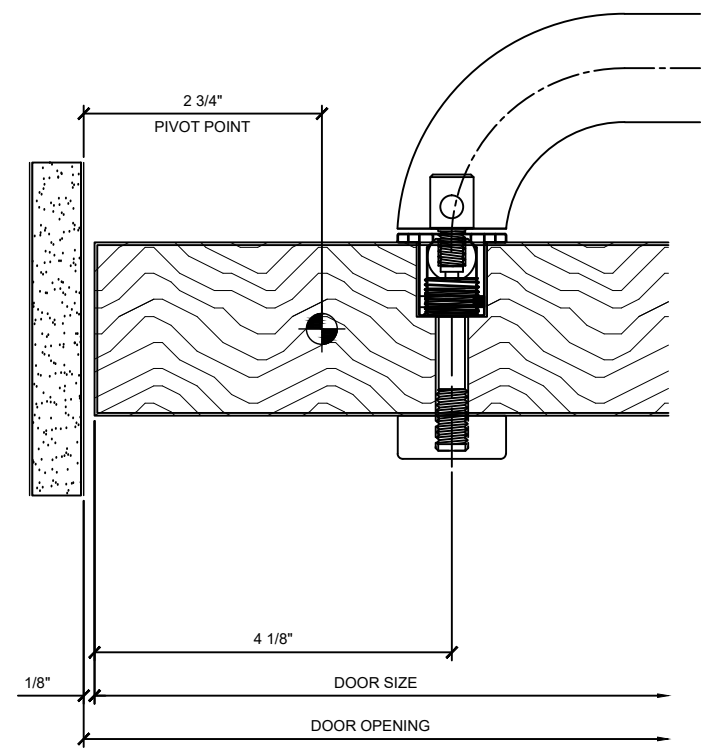


2 PANIC HANDLE DETAIL  
2" THICK SOLID WOOD DOOR W/PA100F

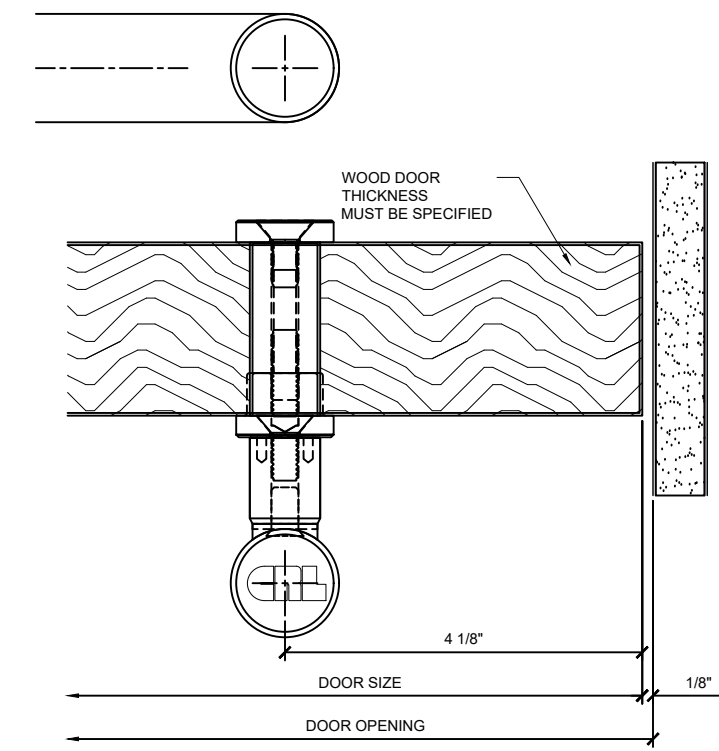


1 EXTERIOR HANDLE DOOR SILL DETAIL  
2" THICK SOLID WOOD DOOR W/PA100F

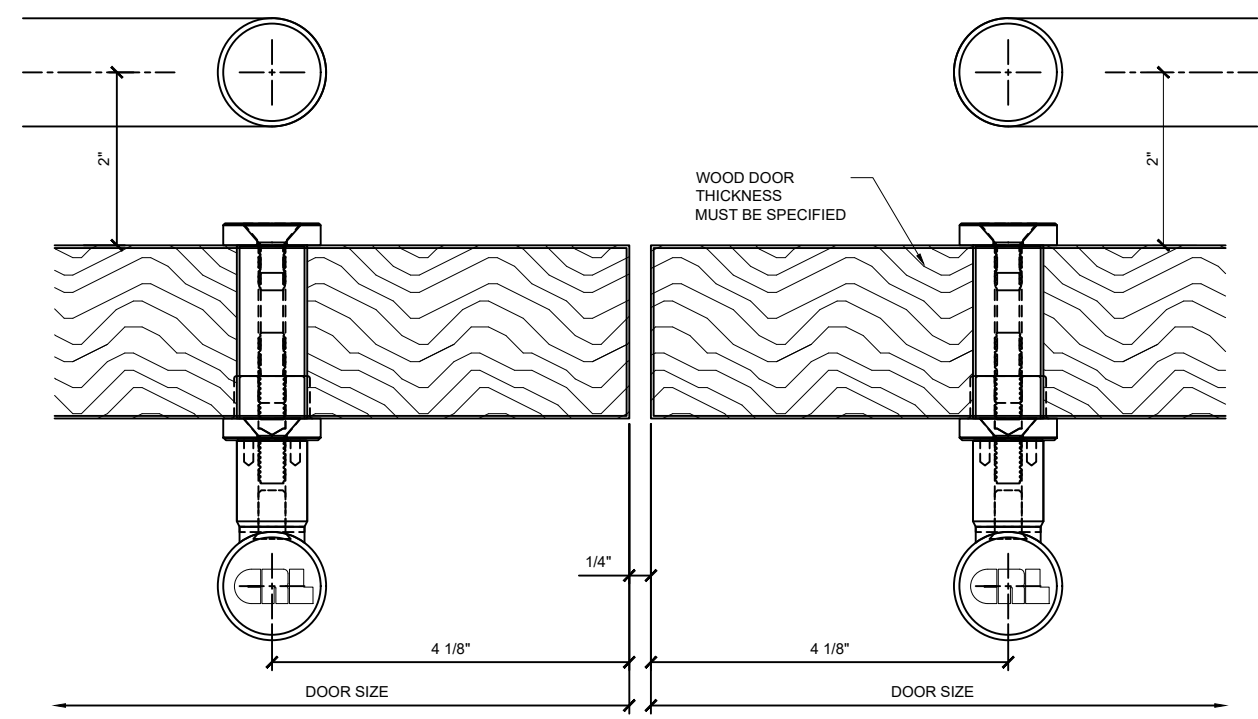
CRL STANDARD DOOR ELECTRIC STRIKE



5 JAMB DETAIL AT PANIC HANDLE HINGE SIDE  
2" THICK SOLID WOOD DOOR W/PA100F



6 JAMB DETAIL AT PANIC HANDLE LOCK SIDE  
2" THICK SOLID WOOD DOOR W/PA100F



7 WOOD MEETING STILES AT PANIC HANDLE  
SOLID WOOD DOOR W/PA100F

Revisions By:

**CRL**

2503 E. Verdon Avenue, Los Angeles, CA 90058-1897  
PH (800)-421-0144 FX: 800-567-7501 www.crlaurence.com

Description:  
CRL / BLUMCRAFT  
PANIC HANDLES  
FOR ALL DOOR SYSTEMS

Drawn By: VM  
Date: 10/24/2013  
Scale: 1'-0" = 1'-0"  
File Name: CRL\_BCRFT\_PHS.dwg

Sheet

6