



SN2013, SN2033 Sentry™ Corner Shallow Bowl Washfountains

- Available with air, infrared, or TouchTime®
- 54" bowl size – wall-mounted or floor-mounted
- Standard and juvenile height with air (hand), TouchTime pushbutton and piezo, and infrared are ADA/TAS compliant
- Factory tested and shipped pre-assembled
- Vandal resistant and easy to clean

Specifications

Size and Capacity

Accommodates three users at a time, using less water, energy and space than lavs equipped with conventional faucets. The sectional sprayhead module is controlled by a pushbutton, which actuates an air valve (hand or foot control models), or by an infrared sensor-actuated solenoid valve, or a solenoid valve (TouchTime models).

Flow Control/Rate

Operating water pressure range is 20–80 psi. Flow regulators keep flow rate constant at all pressures. A flow restrictor keeps the flow rate constant under any pressure.

Construction

Bowl and Pedestal

All exposed materials are type 304 stainless steel polished to a #4 finish. Bowl, pedestal, access panels, frame, foot control housing, support tube and sprayhead are heavy gauge stainless steel. Exposed fittings are chrome plated.

Vandal Resistance

Bowl and support tube are an integrally welded assembly, with the support tube welded to extruded flange from bowl. Sprayhead nozzles and pushbuttons/infrared sensors are secured to unit from inside the sprayhead module. Air valves/solenoid valves are safely concealed inside the washfountain. Access panels are removable only with a hex key. All supply and waste connections are concealed within the pedestal.

Mounting Heights

Sentry washfountains can be installed at standard or juvenile height. Floor-mounted models require mounting height selection. Wall-mounted units are simply installed at the desired height.

Activation Types

Air - Hand Activation

Each push button pneumatically actuates a non-hold-open, air metering, single-temperature valve with field adjustable timing from 0–45 seconds. Factory preset at 11 seconds. Each pushbutton activates one valve which, in turn, activates one station at a rate of 0.10 gpc (0.38 Lpc). Pushbutton requires less than five pounds of pressure.

Air - Hold-Open Foot Activation

Each pushbutton pneumatically actuates a hold-open air single temperature valve with slow closing upon release of foot pressure. Each pushbutton activates one valve, which in turn, activates one station at a rate of 0.5 gpm (1.9 Lpm). Pushbutton requires less than five pounds of pressure.

Infrared

Each of the stream formers is controlled by a separate slow-closing solenoid valve. Hands placed within the bowl are detected by an infrared sensor module, which activates a flow of tempered water from one spray nozzle at a rate of 0.50 gpm (1.9 Lpm). Shut-off is automatic after hands are removed from the detection area. The infrared sensor module uses two zone-focused infrared transmitting beams, having a detection area that does not exceed the bowl perimeter. The detection range projects 6–9 inches forward at a 30° angle to each side and reaches 15° below horizontal. The infrared sensor is not affected by varying color tones or darkness. Direct sunlight or bright washroom lights will not activate the system. Infrared models also include solenoid valves and a low voltage transform as standard equipment:

- Solenoid – 12VDC, 3/8" tube fitting. Few moving parts, and resistant to most chemicals, minerals, and impurities often present in municipal water supplies.
- Low-Voltage Plug-In Adapter – UL/CSA-listed 120VAC/12VDC plug-in adapter designed to plug into a standard GFCI protected electrical outlet. Location of plug-in adapter per local electrical code.



TouchTime®

Each low-voltage pushbutton or piezo switch actuates a non-hold-open, slow-closing, anti-hammer solenoid valve that is timed from an electronic potted assembly. Each pushbutton activates one valve which, in turn, activates one station flowing tempered water at a rate of 0.10 gpc (0.38 Lpc). TouchTime controls water flow at each station through the use of solid state, digital circuitry. Timing is factory set at a 11 second run time, but is field adjustable to pre-set time out periods and optional auto-flush function. The 24 hour flush function will activate water flow for a period of 60 seconds any time there has been no activation within the past 24 hours. Pushbutton requires less than five pounds of pressure.

Product Compliance

Listed by IAPMO R&T to

- Uniform Plumbing Code (UPC)
- National Plumbing Code of Canada
- International Plumbing Code (IPC)
- IGC 156 and the requirements of ASME A112.19.3/CSA B45.4 and ASME A112.18.1/CSA B125.1



Complies with

- ADA
- TAS
- ICC/ANSI 117.1 (STD & JUV height w/air metering hand, infrared activation, or TouchTime)



Listed by NSF International to

- NSF/ANSI 372



Standard Equipment

Valves and Fittings

In addition to the bowl and pedestal, the following valves and fittings are standard: Navigator® thermostatic mixing valve, flexible stainless steel supply hoses and stops. Stop valves are 1/2" compression fitting female.

© 2024 Bradley

P.O. Box 309, Menomonee Falls, WI 53052-0309
800 BRADLEY (800 272 3539) +1 262 251 6000
bradleycorp.com



A WATTS Brand

SN2013, SN2033 Sentry™ Corner Shallow Bowl Washfountains

Models (Must select one)			
Model	Size	Stations	Description
SN2013	54"	3	Floor-Mounted*
SN2033	54"	3	Wall-Mounted*

Standard Selections (Must select one from each category)			
Drain Type (select one)			
A	Off-line vent with supplies from below	H	Centrally rising vent with supplies from below
B	Centrally rising vent with supplies from above	O	Off-line vent with supplies from above

Mounting Height Type (SN2013 only) (select one)			
STD	Standard Pedestal Height	JUV	Juvenile Pedestal Height

Activation Type (select one)			
AST4	Air - Hand Activation	TTPA	TouchTime Pushbutton
AST4-F	Air - Hold Open Foot Activation	TTPB	TouchTime Piezo Switch
IRP	Infrared		

Soap Dispenser Type (select one)			
LSD	Two Integral Liquid Soap Dispensers		
NSD	No Soap Dispenser		

Water Supply Type (select one)			
TMA	Thermostatic Mixing Valve	TL	Tempered Line Supply
NONE	No Water Supply		

Optional Selections

Towel Dispenser Type

- CFTD** (2) C-Fold, Multi-Fold Dispenser
- NONE** No Towel Dispenser

Shroud Type (SN2013 Only)

- SH** Stainless Steel Shroud (Conceals overhead plumbing)
Floor to ceiling height _____ ft. _____ in.
- NONE** No Shroud

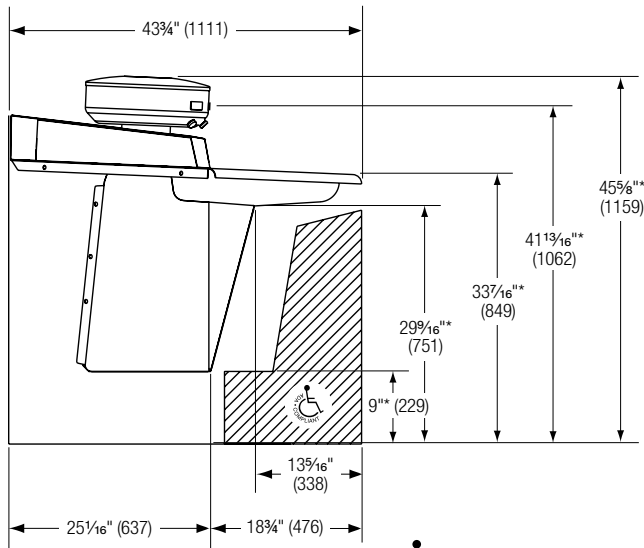
NOTE: Floor to ceiling height is required; maximum height of 13 ft. 0 in. A height greater than the maximum height will be considered a special order.

* These models are ADA/TAS Compliant when mounted at standard or juvenile height dimensions with infrared, TouchTime push button, TouchTime piezo, or air (hand) activation

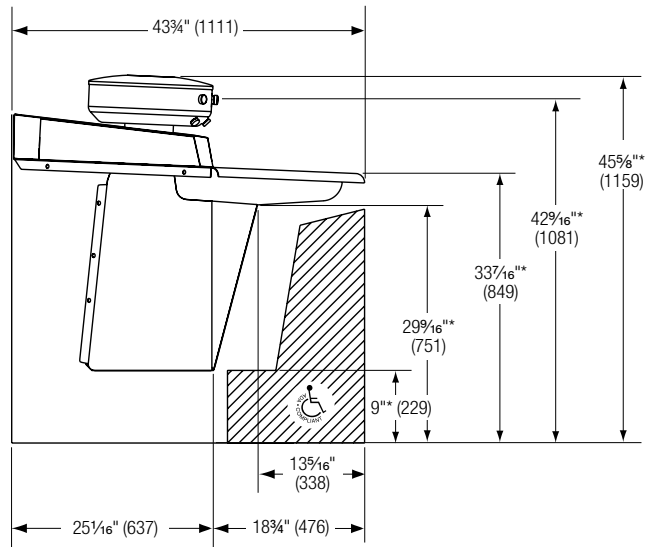
Dimensions - Sentry™ Wall-Mounted

(mm)

Infrared Activation



Hand Activation (AST4 and TouchTime)



Standard or juvenile height wall-mounted models with infrared, TouchTime, or hand control are ADA/TAS compliant.

* Subtract 4" (102) from this dimension for juvenile height.



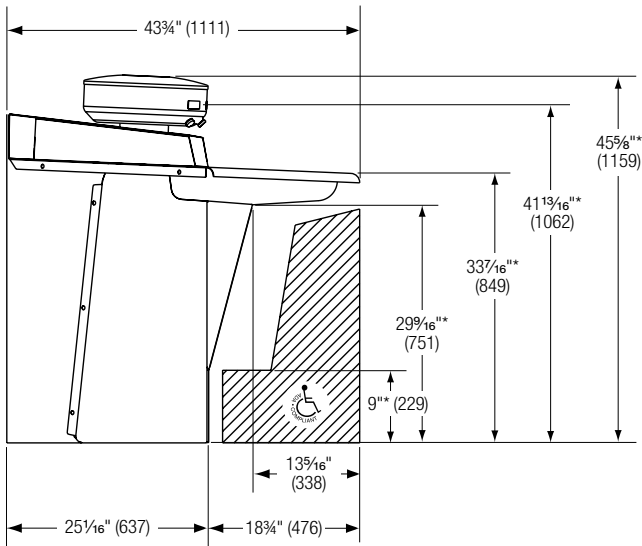
A WATTS Brand

SN2013, SN2033 Sentry™ Corner Shallow Bowl Washfountains

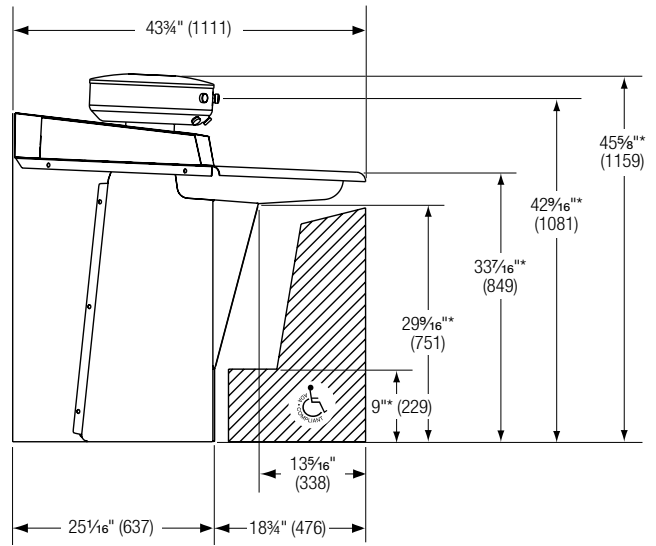
Dimensions - Sentry™ Floor-Mounted

(mm)

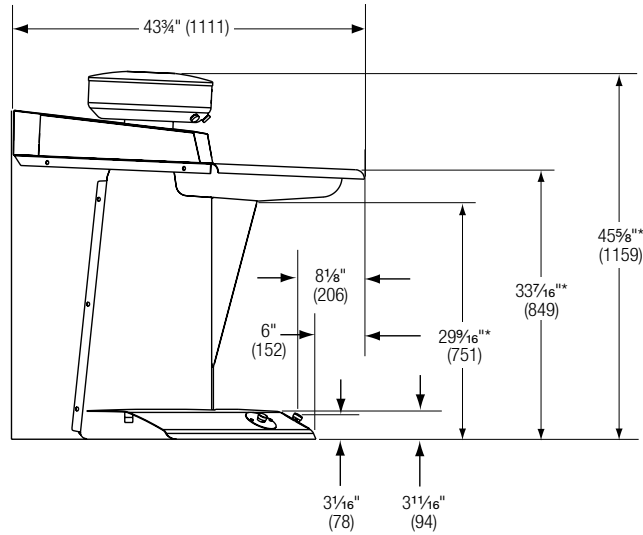
Infrared Activation



Hand Activation (AST4 and TouchTime)



Foot Activation



Standard or juvenile height floor-mounted models with infrared, TouchTime, or hand control are ADA/TAS compliant.

* Subtract 4" (102) from this dimension for juvenile height.



A WATTS Brand

Sentry™ Corner Shallow Bowl Washfountains

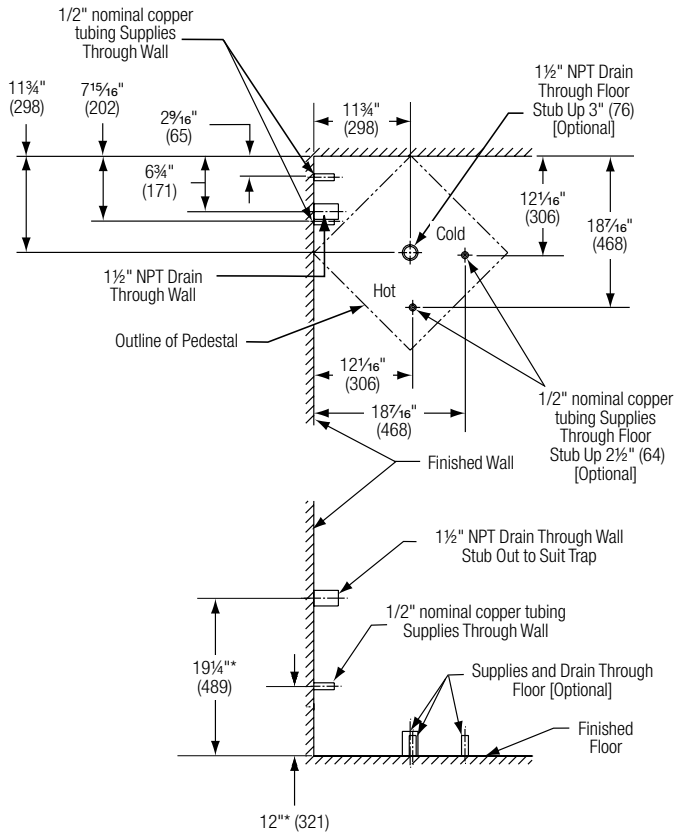
SN2013, SN2033

Rough-In Dimensions for Drain and Supplies

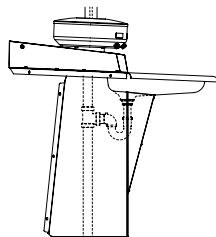
(mm)

Type A -

Off-line vent with supplies from below or through wall.



* Subtract 4" (102) from this dimension for juvenile height.

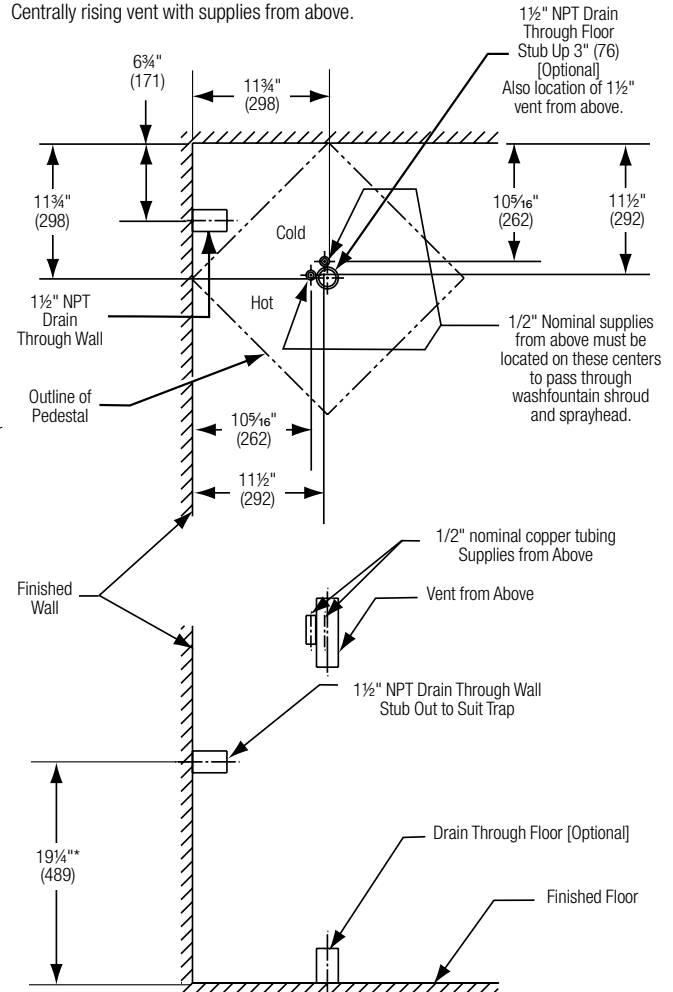


Drain Type A -

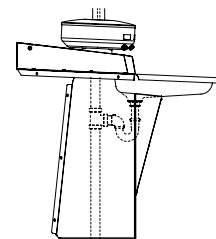
Supplies below, vent off drain.
P-Trap furnished by others.

Type B -

Centrally rising vent with supplies from above.



* Subtract 4" (102) from this dimension for juvenile height.



Drain Type B -

Supplies above, centrally rising vent.
P-Trap furnished.

Rough-In Notes

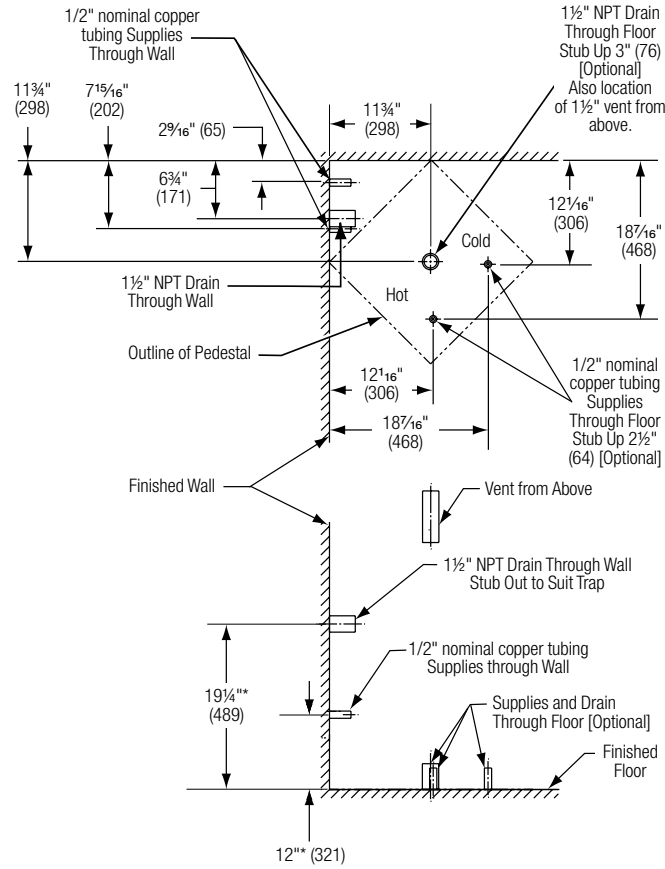
1. Maximum flow rate required to washfountain is 1.5 gpm. Size supply lines accordingly.
2. Wall drain and supplies can be on either wall.
3. Unit with "A" drain and paper towel dispensers and/or a shroud should use "H" drain Rough-Ins.

(mm)

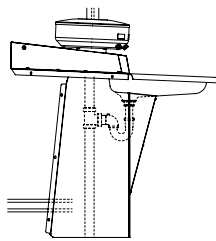
Rough-In Dimensions for Drain and Supplies

Type H -

Centrally rising vent with supplies from below or through wall.



* Subtract 4" (102) from this dimension for juvenile height.

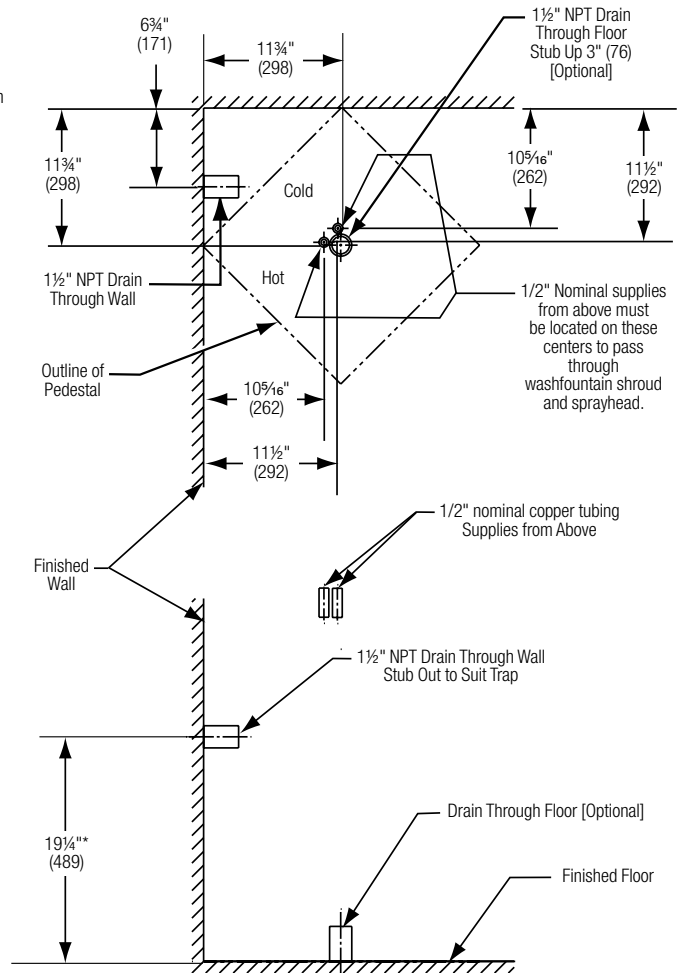


Drain Type H -

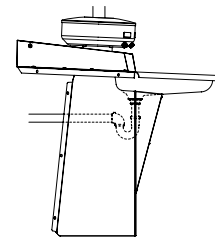
Supplies below, centrally rising vent. P-Trap furnished.

Type O -

Off-line vent with supplies from above.



* Subtract 4" (102) from this dimension for juvenile height.



Drain Type O -

Supplies above, vent off drain. P-Trap furnished by others.

Rough-In Notes

1. Maximum flow rate required to washfountain is 1.5 gpm. Size supply lines accordingly.
2. Wall drain and supplies can be on either wall.
3. Unit with "O" drain and paper towel dispensers and/or a shroud should use "B" drain for Rough-Ins.



SN2013, SN2033 Sentry™ Corner Shallow Bowl Washfountains

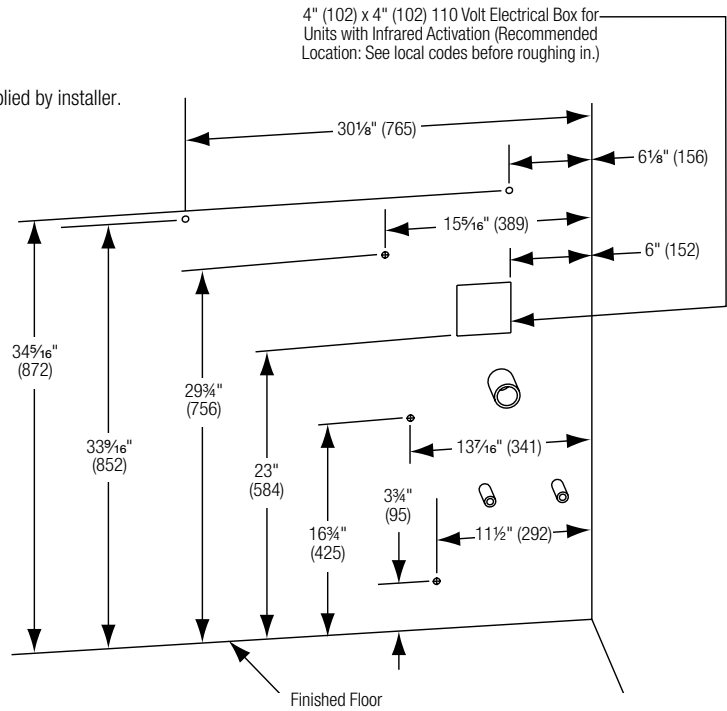
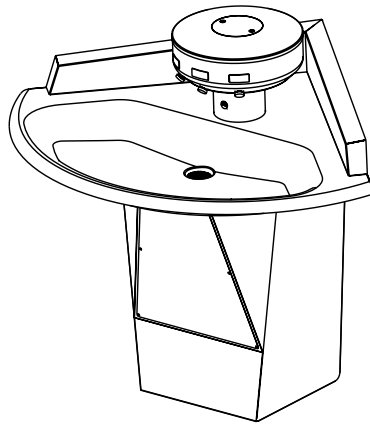
Rough-In Dimensions for Bowl and Pedestal - Floor-Mounted

(mm)

Standard Mounting for SN2013

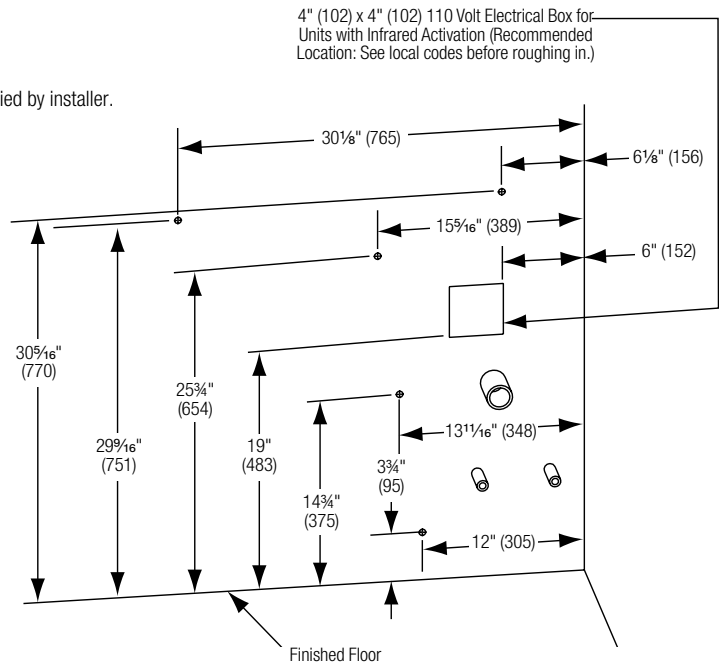
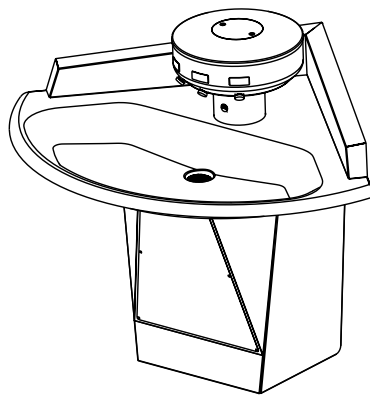
Rough-In Notes

1. Anchor locations are shown for 3/8" diameter bolts. Anchors and bolts are supplied by installer.
2. Wall drain and supplies can be on either wall.



Rough-In Notes

1. Anchor locations are shown for 3/8" diameter bolts. Anchors and bolts are supplied by installer.
2. Wall drain and supplies can be on either wall.





A WATTS Brand

Sentry™ Corner Shallow Bowl Washfountains

SN2013, SN2033

Rough-In Dimensions for Bowl and Pedestal - Wall-Mounted

(mm)

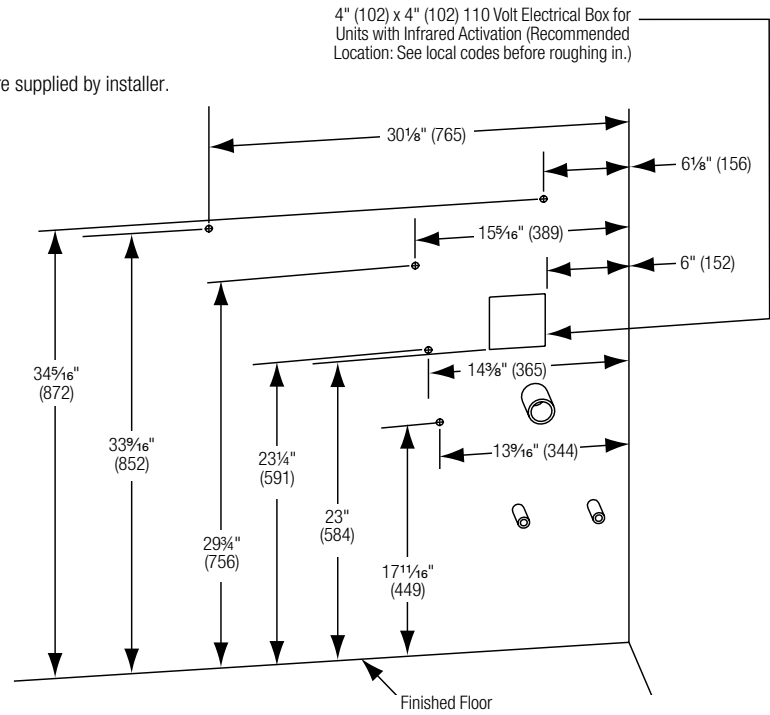
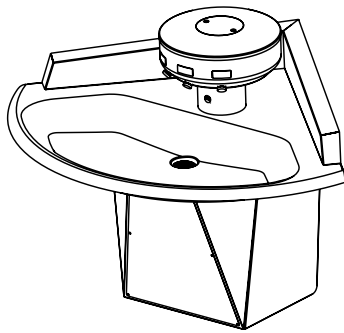
Standard Mounting for SN2033

Rough-In Notes

1. Anchor locations are shown for 3/8" diameter bolts. Anchors and bolts are supplied by installer.
2. Wall drain and supplies can be on either wall.



Standard height models with infrared or hand control are ADA compliant when mounted at standard height dimensions.



Juvenile Mounting for SN2033

Rough-In Notes

1. Anchor locations are shown for 3/8" diameter bolts. Anchors and bolts are supplied by installer.
2. Wall drain and supplies can be on either wall.

