



# Shower Valve Equa-Flo HD Pressure-Balancing Valve

- Durable Construction From Brass and Stainless Steel
- Durable Stainless Steel Balancing Piston
- 1/2" Diameter Chrome-Plated Brass Stem
- Tamper-Resistant Brass Limit Stops
- Vandal Resistant ADA Compliant Lever Handle
- Factory Assembled and Tested
- ASSE 1016, Type P Listed
- Easy Installation and Serviceability
- Check Stops on Inlets

Pressure-balancing valves automatically compensate for changes in supply pressure, keeping shower temperature constant. This anti-scald protection feature makes these valves the best choice for many applications.

## Operation

Control handle rotates from off through cold to hot. Volume is constant.

Water temperature is maintained by a stainless steel piston that instantly detects changes in supply pressures and automatically adjusts discharge ports, keeping shower temperature constant to within 2° of desired setting. Maximum delivery temperature is controlled by an adjustable limit stop that restricts the amount of hot water entering the valve. Should either hot or cold supply fail, the valve will shut off so as not to produce a spray or significant flow through showerhead.

## Valve Specifications

### Maximum Operating Pressure

125 PSI (860 kPa)

### Connections

1/2" NPT

### Flow Capacities – GPM (L/Min)

Model	Pressure Drop – PSI (Bar)						
	5 (.5)	10 (1.0)	15 (1.5)	20 (2.0)	30 (2.5)	45 (3.0)	60 (4.0)
<b>S59-1005</b>	2.0	2.5	3.0	3.5	4.5	5.5	6.0
<b>Suffix HD</b>	(8.5)	(11.5)	(14.0)	(16.0)	(18.0)	(20.0)	(22.5)

## Product Compliance

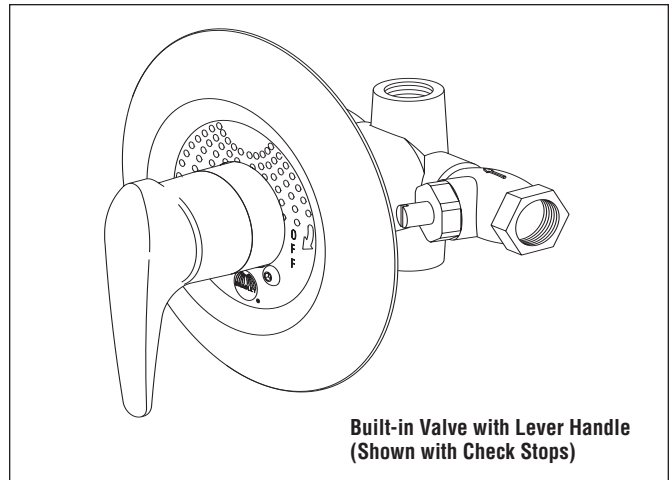
### Listed by IAPMO R&T to

- ASSE 1016-2017/ASME A112.1016-2017/CSA B125.16-17
- Uniform Plumbing Code (UPC)
- National Plumbing Code of Canada
- International Plumbing Code (IPC)



### Listed by ASSE International to

- ASSE 1016



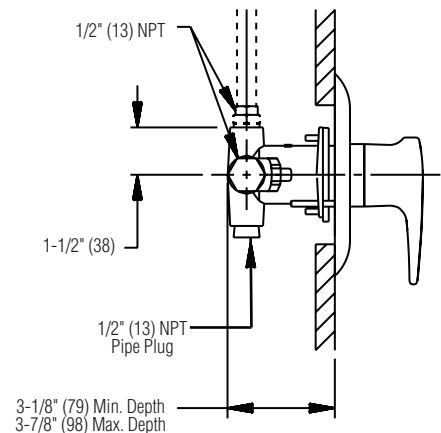
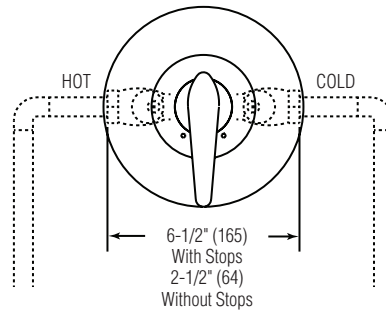
## Sample Specification

Pressure-balancing valve shall be constructed of brass and stainless steel, including stainless steel cartridge and balancing piston. Valve to include 1/2" chrome-plated brass stem, chrome-plated brass cap with cast-in limit stops and hot temperature limit stop, vandal resistant ADA compliant lever handle, and integral check stops on inlets. Pressure-balancing valve shall be Bradley Equa-Flo HD model S59-1005.

## Dimensions

(mm)

4-1/2" (114) Diameter Wall Opening Required



Engineer's Approval \_\_\_\_\_