



A WATTS Brand

S59-2200 (TMV200) Standard Thermostatic Mixing Valves

- Lead-free brass design
- Reliable liquid-filled thermostat with 10 year warranty
- Integral strainer checkstops on inlets
- Adjustable set point within temperature range
- Accurate temperature control
- Positive shutoff of hot supply when cold supply is lost
- Easy installation and serviceability
- Dirt and lime resistant
- Factory assembled and tested
- Universal mounting capability
- Cabinet features:
 - 18 Gauge body & door
 - Inlet/outlet knock-out holes for mounting flexibility
 - Left-hand hinge
 - Stainless steel or baked white enamel finishes
 - Cylinder lock
 - Surface-mounted or recessed style with flange

Valve Specifications

Maximum Operating Pressure

125 PSI (860 kPA)

Maximum Inlet Temperature

180°F (82°C)

Temperature Range

	Std.	High	Set Point
	85°F (29°) to 135°F (57°C)	100°F (38°C) to 150°F (66°C)	110°F (43°C)
			130°F (54°C)

Flow Capacities – GPM

Model	Min. Flow*	Pressure Drop – PSI						
		5	10	15	20	30	45	60
S59-2200	20.0	60.0	91.0	109.0	127.0	157.0	192.0	220.0

Flow Capacities – L/Min

Model	Min. Flow*	Pressure Drop – Bar						
		.5	1.0	1.5	2.0	2.5	3.0	4.0
S59-2200	75.7	280.0	403.0	500.0	580.0	653.0	720.0	836.0

*Recirculation system only (See diagram on Page 2). When properly installed near the hot water source with a **continuously operating** recirculation pump, the valve will maintain set temperature with a 0.5 gpm (2.0 L/Min) draw from the plumbing system.

Product Compliance



Listed by IAPMO R&T to

- ASSE 1017, CSA B125.3
- Uniform Plumbing Code (UPC),
- National Plumbing Code of Canada and
- International Plumbing Code (IPC)



Listed by ASSE International to

- ASSE 1017

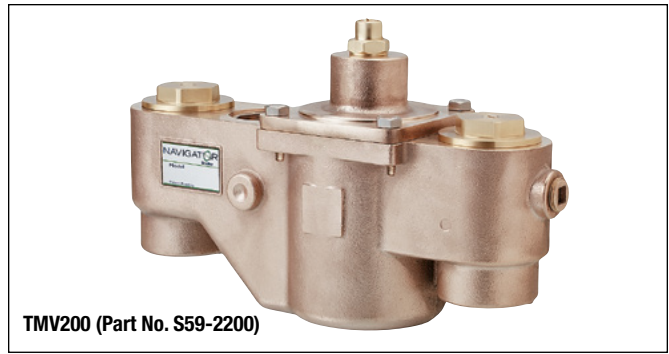


Listed by NSF International to

- NSF/ANSI 372



Standard product selections contained within this document are third party CERTIFIED to NSF/ANSI 372 meeting the Lead-Free content requirement. Any product configured with custom options will be COMPLIANT with NSF/ANSI 372 meeting the Lead-Free content requirement.



TMV200 (Part No. S59-2200)

Valve Model

Model	Description
S59-2200	Standard Thermostatic Mixing Valve

Configurable Valve Model (select one)

Model	Description
TMV200	TMV200 Thermostatic Mixing Valve with Options
CAB-TMV200	TMV200 Thermostatic Mixing Valve Cabinet Only

Optional Valve Selections

Finish	
R	Rough Brass (standard)
C	Chrome Plated
Thermostat	
S	Standard Range Thermostat
H	High Range Thermostat
Thermometer	
T	Dial Thermometer
O	None
Bracket	
B	Wall Mounting Bracket
O	None
Piped Assembly	
P	Piped Assembly with Inlet and Outlet Shutoff
N	Piped Assembly with Outlet Shutoff
O	None
Optional Cabinet Selections	
Cabinets (includes bracket)	
SS	Surface Mount Stainless Steel
RS	Recessed Stainless Steel
SE	Surface Mount White Enamel
RE	Recessed White Enamel
O	None
Window	
W	Plexi-Glass Window in Door
O	None

**Chrome plating not available

Engineer's Approval _____

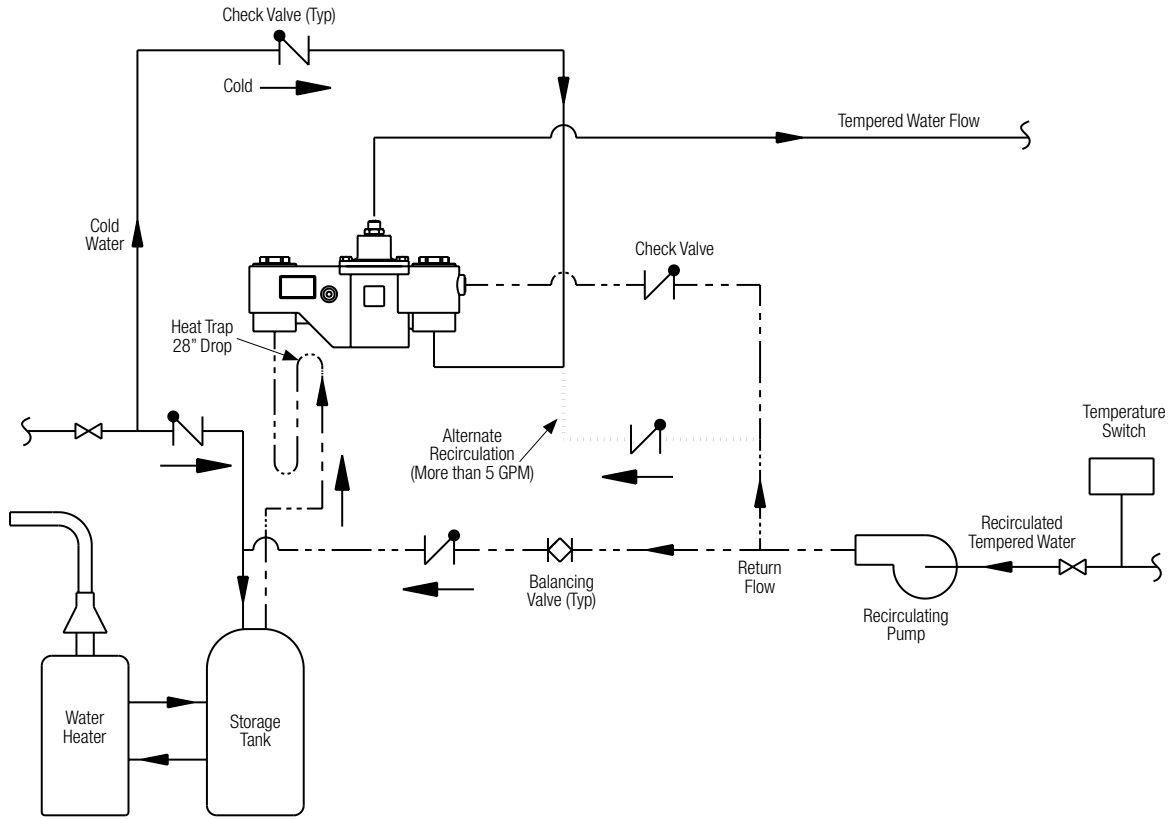


A WATTS Brand

S59-2200 (TMV200) Standard Thermostatic Mixing Valves

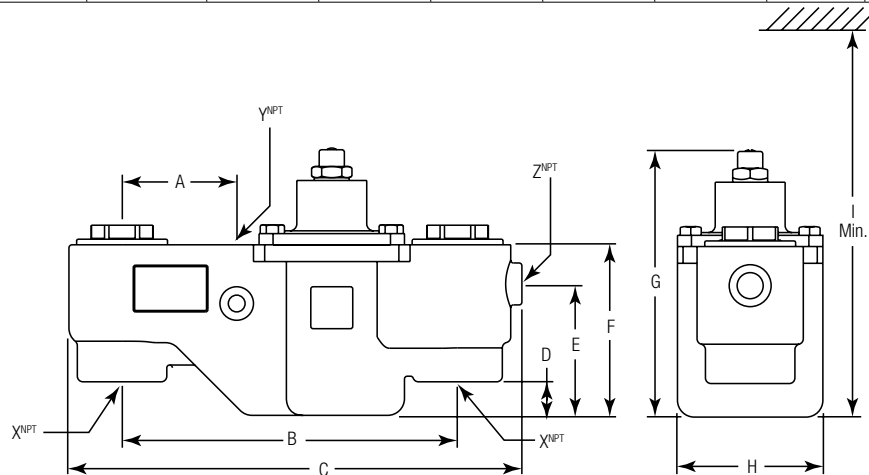
Recirculation Diagram

(mm)



Dimensions

Model	A	B	C	D	E	F	G	H	I	X ^{NPT}	Y ^{NPT}	Z ^{NPT}
S59-2200	3-1/2" (89)	12" (305)	16-1/4" (411)	1-1/2" (38)	4-3/4" (119)	6-1/8" (155)	9-1/2" (241)	5-1/4" (132)	16" (406)	2"	2"	3/4"





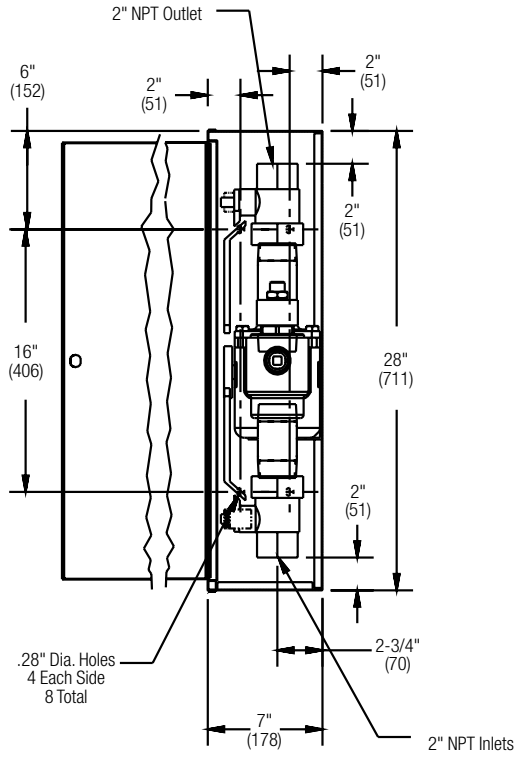
A WATTS Brand

S59-2200 (TMV200) Standard Thermostatic Mixing Valves

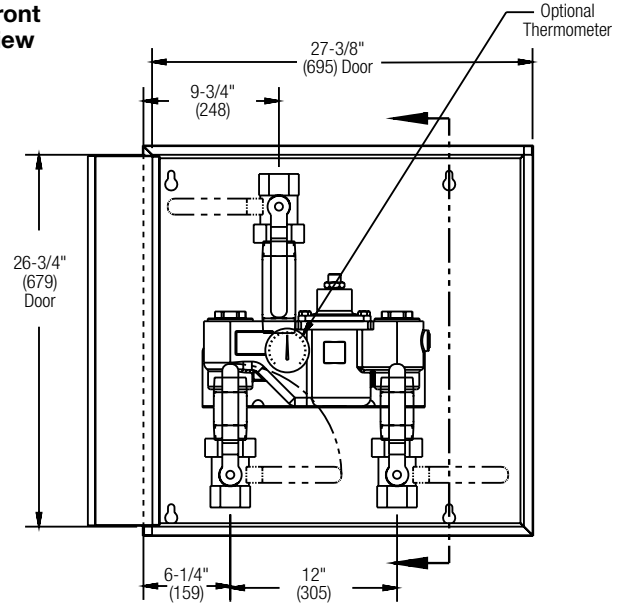
Dimensions — TMV200 Surface-Mounted Cabinet

(mm)

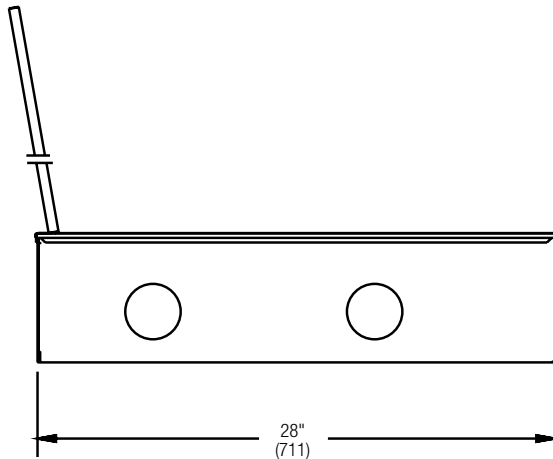
Side View



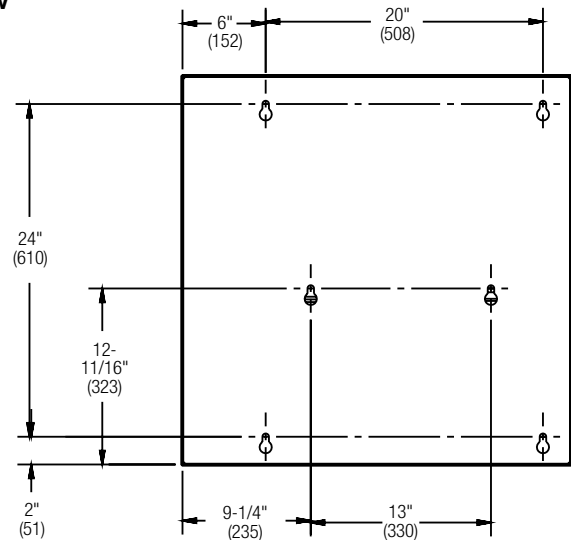
Front View



Bottom View



Back View





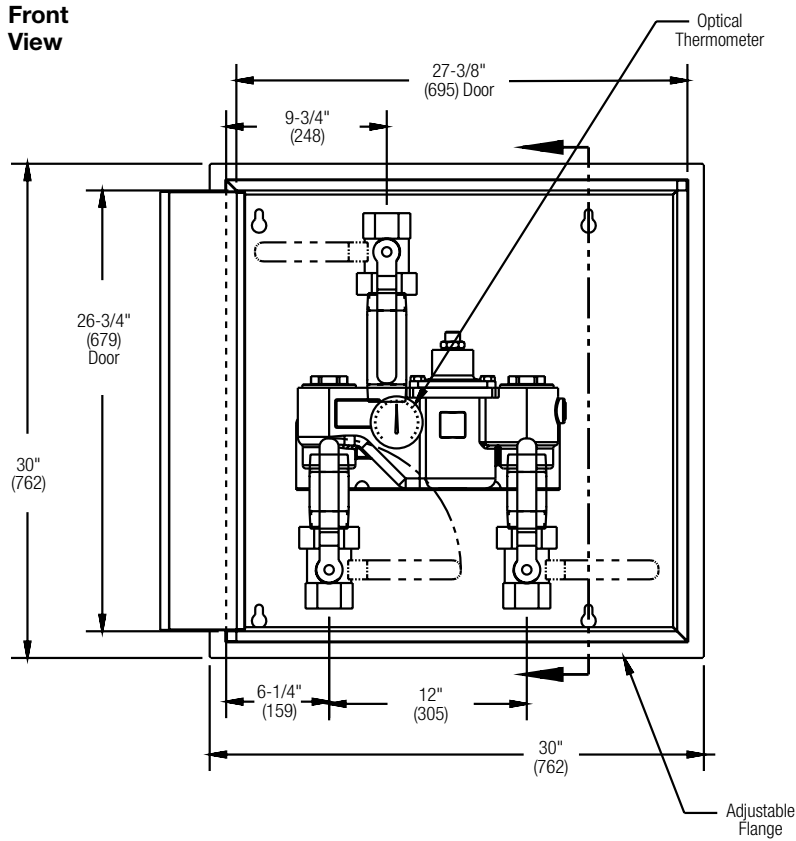
A WATTS Brand

S59-2200 (TMV200) Standard Thermostatic Mixing Valves

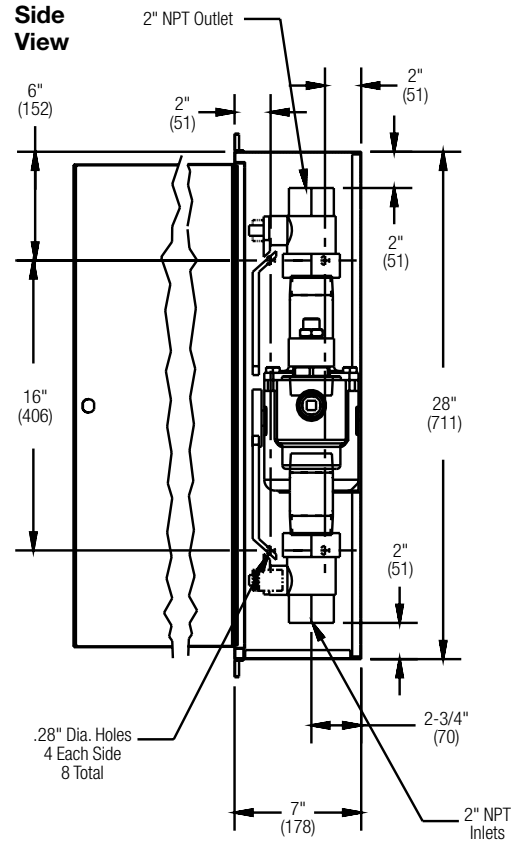
Dimensions — TMV200 Recessed Cabinet

(mm)

Front View



Side View



Bottom View

