



A WATTS Brand

S59-3200 (HL200) Thermostatic High-Low Valves

- Lead-free brass design
- Reliable liquid-filled thermostat with 10-year warranty
- Integral strainer checkstops on inlets
- Adjustable set point within temperature range
- Accurate temperature control to within $\pm 3^{\circ}$ F
- Positive shutoff of flow in the event of cold supply line failure or thermostat failure
- Easy installation and serviceability
- Dirt and lime resistant
- Factory assembled and tested
- Universal mounting capability
- Dial thermometer
- Cabinet features:
 - 18 Gauge body & door
 - Left-hand hinge
 - Cylinder lock
 - Inlet/outlet knock-out holes for mounting flexibility
 - Stainless steel or baked white enamel finishes
 - Surface-mounted or recessed style with flange



HL200 (Part No. S59-3200)

Valve Specifications

Maximum Operating Pressure

125 PSI (860 kPa)

Maximum Inlet Temperature

180° F (82° C)

Temperature Range

	Std.	High	Set Point
	90° F (32° C) to 120° F (49° C)	110° F (43° C)	110° F (43° C)
	110° F (43° C) to 140° F (60° C)	130° F (54° C)	130° F (54° C)

Flow Capacities – GPM

Model	Min. Flow*	Pressure Drop – PSI						
		5	10	15	20	30	45	60
S59-3200	5.0	60.0	91.0	109.0	127.0	157.0	192.0	220.0

Flow Capacities – L/Min

Model	Min. Flow*	Pressure Drop – Bar						
		.5	1.0	1.5	2.0	2.5	3.0	4.0
S59-3200	19.0	282.5	405.0	499.5	580.0	651.0	715.5	831.0

*Recirculation system only (See diagram on Page 2). When properly installed near the hot water source with a continuously operating recirculation pump, the valve will maintain set temperature with a .5 GPM (2.0 L/Min) draw from the plumbing system.

Product Compliance



Listed by IAPMO R&T to

- ASSE 1017, CSA B125.3
- Uniform Plumbing Code (UPC),
- National Plumbing Code of Canada and
- International Plumbing Code (IPC)



Listed by ASSE International to

- ASSE 1017



Listed by NSF International to

- NSF/ANSI 372



Standard product selections contained within this document are third party CERTIFIED to NSF/ANSI 372 meeting the Lead-Free content requirement. Any product configured with custom options will be COMPLIANT with NSF/ANSI 372 meeting the Lead-Free content requirement.

Valve Model

Model	Description
S59-3200	High-Low Thermostatic Mixing Valve

Configurable Valve Model (select one)

Model	Description
HL200	HL200 Thermostatic Mixing Valve with Options
CAB-HL200	HL200 Thermostatic Mixing Valve Cabinet Only

Optional Valve Selections

Finish	
R	Rough Brass (standard)
C	Chrome Plated
Thermostat	
S	Standard Range Thermostat
H	High Range Thermostat
Bracket	
B	Wall Mounting Bracket
O	None
Piped Assembly	
P**	Piped Assembly with Inlet and Outlet Shutoff
N**	Piped Assembly with Outlet Shutoff
O	None

Optional Cabinet Selections

Cabinets (includes bracket)	
SS	Surface Mount Stainless Steel
RS	Recessed Stainless Steel
SE	Surface Mount White Enamel
RE	Recessed White Enamel
O	None
Window	
W	Plexi-Glass Window in Door
O	None

** Chrome plating not available.

Engineer's Approval _____

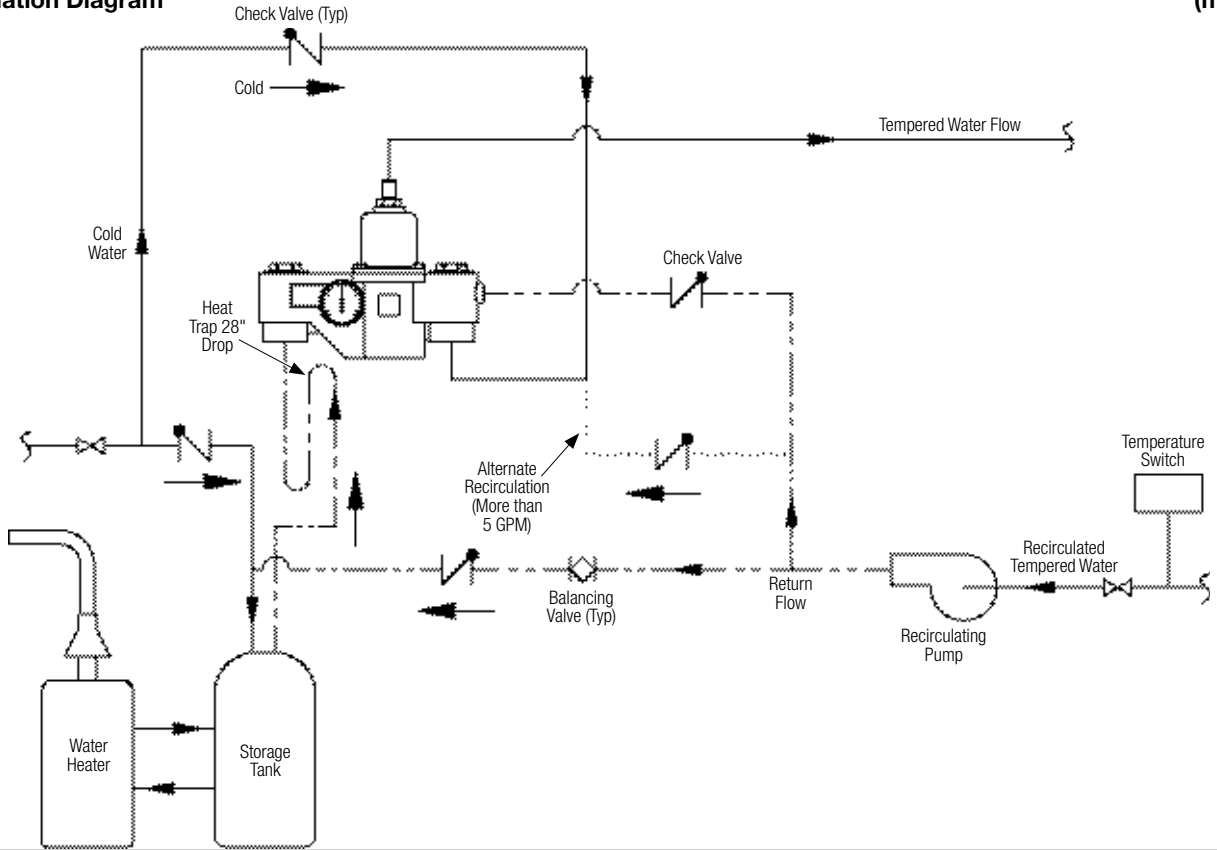


A WATTS Brand

S59-3200 (HL200) Thermostatic High-Low Valves

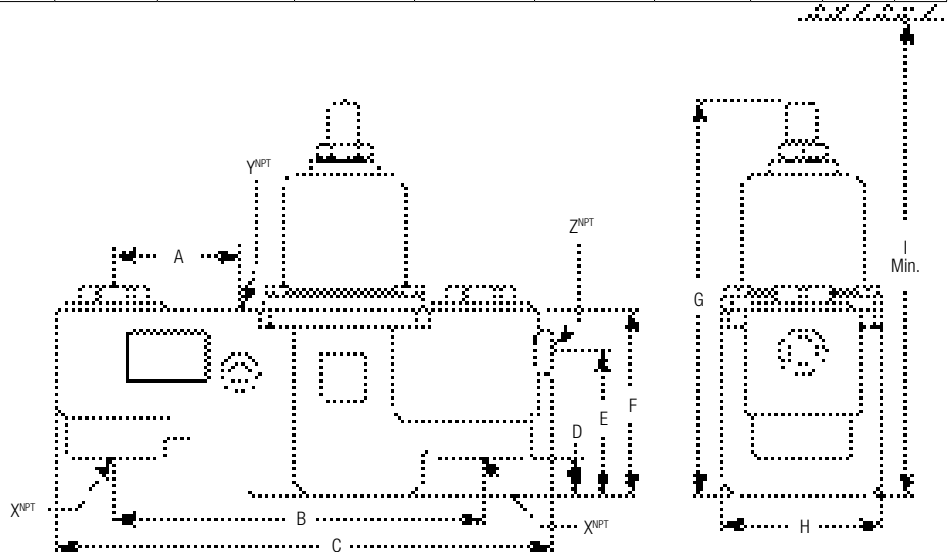
(mm)

Recirculation Diagram



Dimensions

Model	A	B	C	D	E	F	G	H	I	X ^{NPT}	Y ^{NPT}	Z ^{NPT}
S59-3200	3-1/2" (89)	12" (305)	16-1/4" (411)	1-1/2" (38)	4-3/4" (119)	6-1/8" (155)	13" (328)	5-1/4" (132)	19" (483)	2"	2"	3/4"





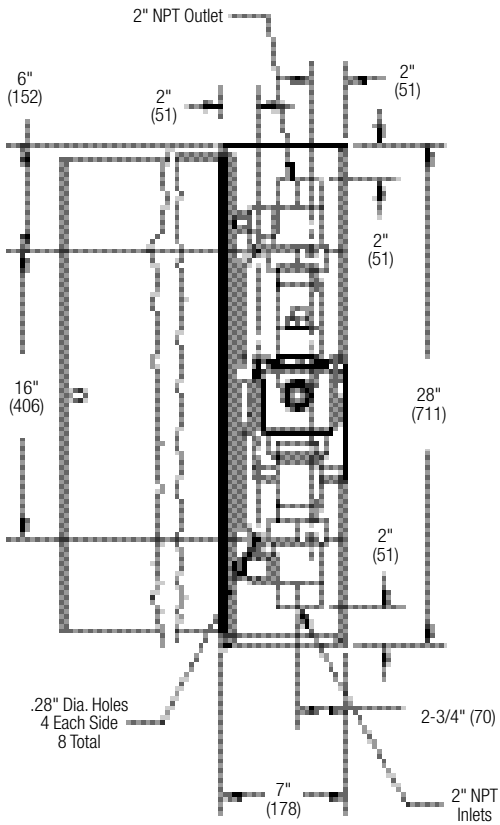
A WATTS Brand

S59-3200 (HL200) Thermostatic High-Low Valves

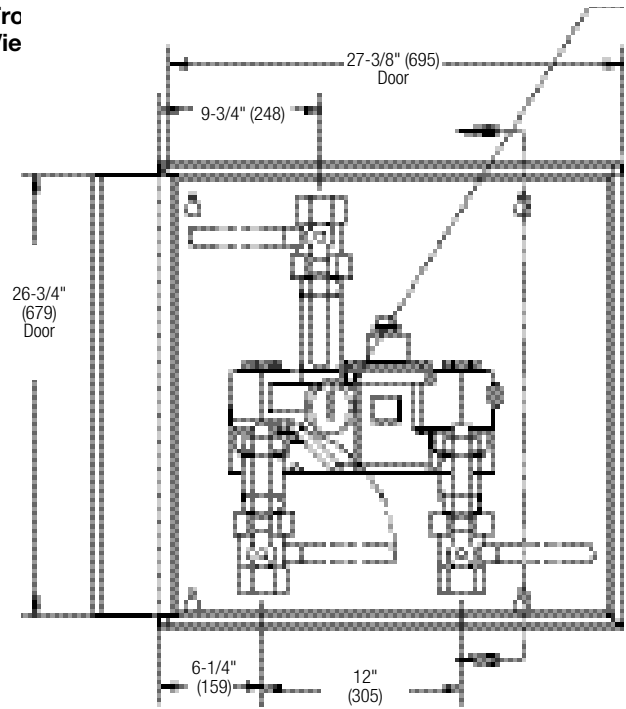
Dimensions — HL200 Surface-Mounted Cabinet

(mm)

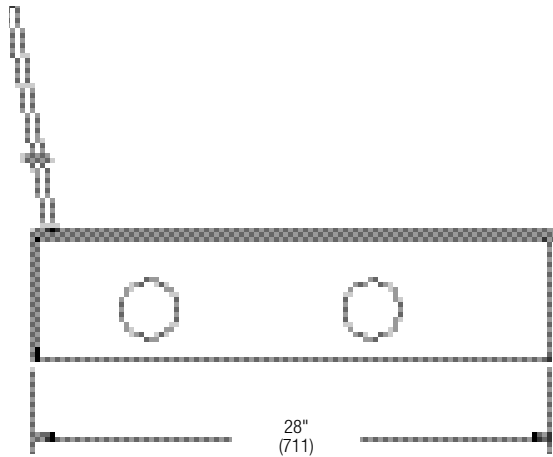
Side View



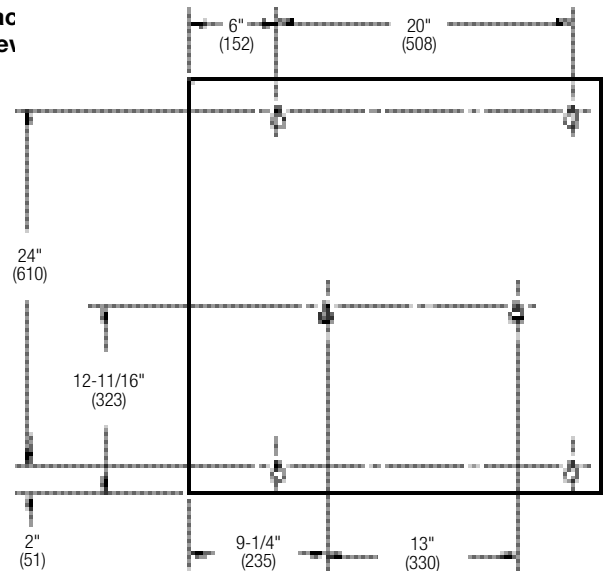
Front View



Bottom View



Back View





A WATTS Brand

S59-3200 (HL200) Thermostatic High-Low Valves

Dimensions — HL200 Recessed Cabinet

(mm)

