



S93-572 / S93-573 / S93-574 BradMate™ Washfountains

- Serves one to two users at a time
- Air valve metering, TouchTime® mechanical metering, or infrared
- Preassembled for fast and easy installation
- Saves water, energy, and space
- Highly vandal-resistant
- ADA compliant

Specifications

Size and Capacity

Accommodates 1-2 users at a time, using less water, energy, and space than two lavs equipped with conventional faucets. The stainless steel sprayhead is actuated by one of two pushbuttons (Model S93-572 air metering pushbutton and Model S93-573 TouchTime mechanical metering) or by adaptive infrared.

Flow Control/Rate

Operating water pressure range is 20–80 psi. Flow regulators keep flow rate constant at all pressures.

Construction

Bowl Assembly

Bowl, backsplash, sprayhead, and trap cover are constructed of heavy gauge type 304 stainless steel. All exposed stainless steel surfaces are polished to a #4 satin finish. BradMate™ washfountains are shipped preassembled. Trap, enclosure, and flexible supply hoses are included with BradMates for connection during installation.

Vandal Resistance

The stainless steel sprayhead and pushbuttons are secured to the bowl from inside the washfountain. All valves, sensors, supplies, and waste connections are safely concealed inside the washfountain.

Product Compliance

Listed by IAPMO R&T to

- Uniform Plumbing Code (UPC)
- National Plumbing Code of Canada
- International Plumbing Code (IPC)
- IGC 156 and the requirements of ASME A112.19.3/CSA B45.4 and ASME A112.18.1/CSA B125.1



Listed by NSF International to

- NSF/ANSI 372



Complies with

- ADA
- ICC/ANSI 117.1



Standard Equipment

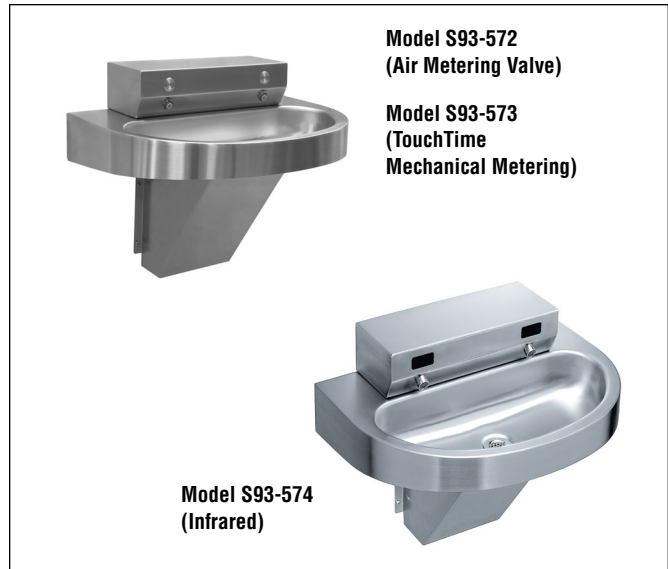
Valves and Fittings

In addition to the bowl assembly and trap enclosure, the following valves and fittings are standard: Navigator® thermostatic mixing valve, flexible stainless steel supply hoses, and stops. Stop valves are 1/2" compression female.

Activation Types

Air Valve Hand Control

Each pushbutton pneumatically actuates a non-hold-open, air metering, single-temperature valve with field adjustable timing from 0–45 seconds. Factory preset at 11 seconds. Each pushbutton activates one valve which, in turn, activates one station at a rate of 0.10 gpc (0.38 Lpc). Pushbutton requires less than five pounds of pressure.



Models (Must Select One)	
Model Number	Description
S93-572	Wall-Mounted BradMate with Air Valve Metering
S93-573	Wall-Mounted BradMate with TouchTime Mechanical Metering
S93-574	Wall-Mounted BradMate with Infrared

TouchTime® Mechanical Metering

Each low-voltage button actuates a non-hold-open, slow-closing, anti-hammer solenoid valve that is timed from an electronic potted assembly. Each pushbutton activates one valve which, in turn, activates one station flowing tempered water at a rate of 0.10 gpc (0.38 Lpc). TouchTime controls water flow at each station through the use of solid state, digital circuitry. Timing is factory set at a 11 second run time, but is field adjustable. The 24 hour flush function will activate water flow for a period of 60 seconds any time there has been no activation within the past 24 hours. Pushbutton requires less than five pounds of pressure.

Infrared

Each of the stream formers is controlled by a separate solenoid valve. Hands placed within the bowl are detected by an infrared sensor, which activates a flow of tempered water from one spray nozzle at a rate of 0.50 gpm (1.9 Lpm). Shut-off is automatic after hands are removed from the detection area. The infrared sensor module uses two zone-focused infrared transmitting beams, having a detection area adapted to, but not exceeding, the bowl perimeter. The detection range projects 6–9 inches forward at a 30° angle to each side and reaches 15° below horizontal. The infrared sensor is not affected by varying color tones or darkness. Direct sunlight or bright washroom lights will not activate the system. Infrared models also include solenoid valves and a low voltage transform as standard equipment:

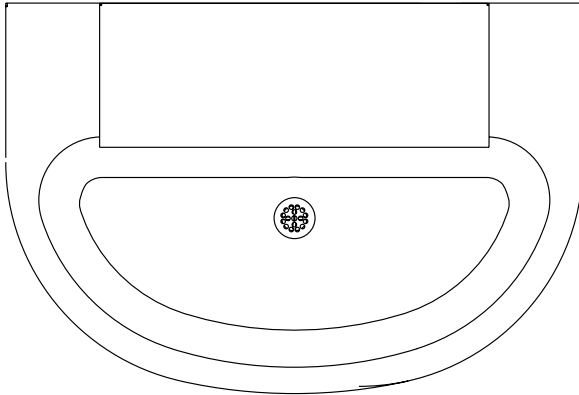
- Solenoid – 12VDC, 3/8" NPT tube fitting. Few moving parts, and resistant to most chemicals, minerals, and impurities often present in municipal water supplies.
- Low-Voltage plug-in adapter – UL/CSA-listed 120VAC/12VDC plug-in adapter. Plugs into a standard GFCI protected electrical outlet. Location of transformer per local electrical code.



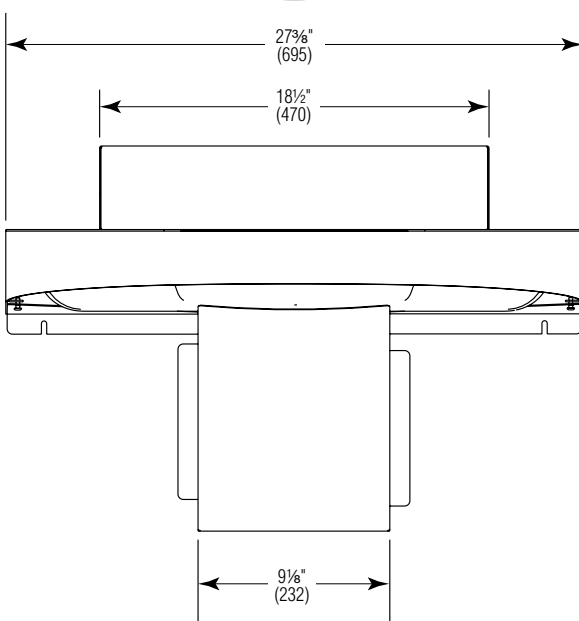
Dimensions – Standard and Juvenile Height

(mm)

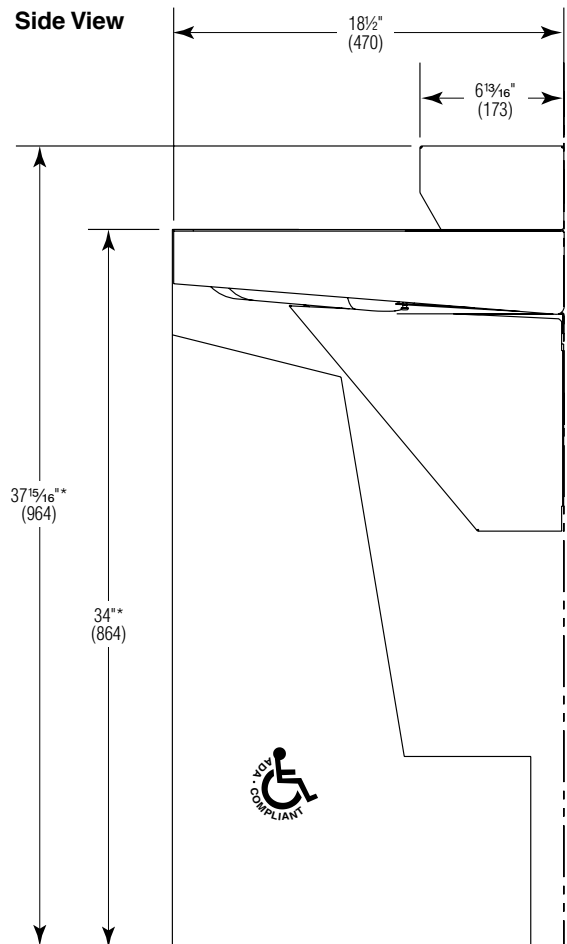
Top View



Front View



Side View



Models are ADA compliant when mounted at standard height dimensions.

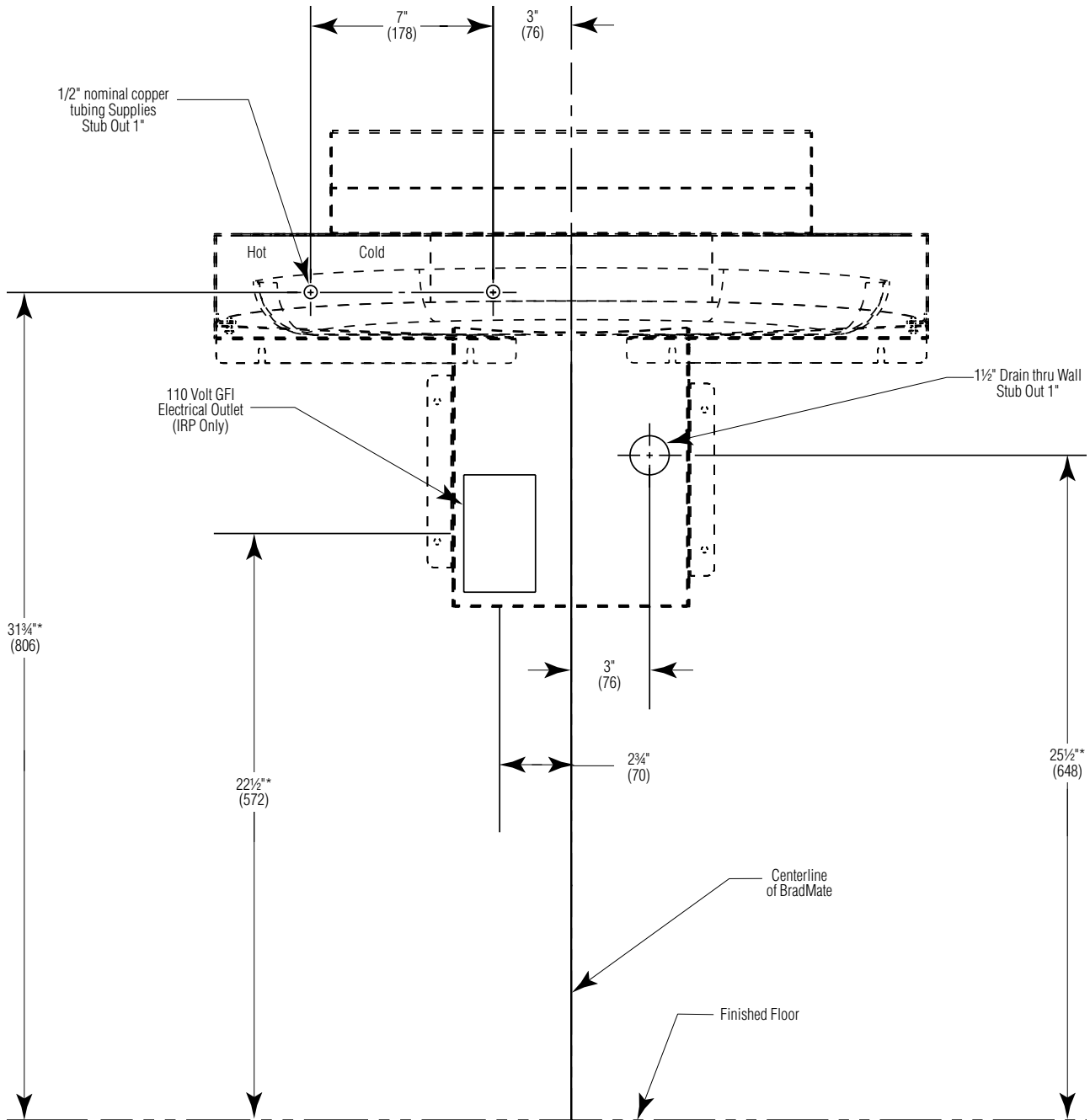
* Subtract 4" (102mm) from this dimension for juvenile height model.



S93-572 / S93-573 / S93-574 BradMate™ Washfountains

Rough-Ins

(mm)



*Subtract 4" (102) from this dimension for juvenile height model.