



A WATTS Brand

S59-4200 Series Navigator® Thermostatic Mixing Valves

Key Features

- Durable, lead-free brass design †
- Reliable wax-filled thermostat
- Temperature adjusting cap with locking feature
- Easy installation and serviceability
- Universal mounting capability
- Integral check valves and strainers
- Factory assembled and tested

Valve Specifications

Maximum Operating Pressure

125 PSI (860 kPa)

Maximum Inlet Temperature

180°F (82°C)

Temperature Range

Std. 80–120°F (27–49° C)

Temperature Differential – Hot to Mix

5°F (3°C)

Flow Capacities – GPM (Lpm)

Min. Flow *	Pressure Drop – PSI (Bar)						
	5 (.5)	10 (1.0)	15 (1.5)	20 (2.0)	30 (2.5)	45 (3.0)	60 (4.0)
0.5 (2.0)	4.0 (15.0)	5.7 (22.0)	7.0 (26.0)	8.0 (30.0)	9.8 (37.0)	12.0 (45.0)	13.9 (53.0)

* 1.5 gpm for ASSE 1069 applications when used with showerheads rated 1.5 gpm (5.7 Lpm) or higher.

Product Compliance

Listed by IAPMO R&T to

- ASSE 1017, ASSE 1069 & ASSE 1070/ASME A112.1070/CSA B125.70
- Uniform Plumbing Code (UPC)
- National Plumbing Code of Canada
- International Plumbing Code (IPC)



1017
1069
1070

Listed by ASSE International to

- ASSE 1017, ASSE 1069 & ASSE 1070

Listed by NSF International to

- NSF 61 & 372



S59-4200T1

Models (Must select one)

Model	Description
S59-4200T1	Navigator® Thermostatic Mixing Valve with ½" NPT Connections
S59-4200T3	Navigator Thermostatic Mixing Valve with ¾" NPT Connections
S59-4200S1	Navigator Thermostatic Mixing Valve with ½" Sweat Connections
S59-4200S3	Navigator Thermostatic Mixing Valve with ¾" Sweat Connections
S59-4200X1	Navigator Thermostatic Mixing Valve with ½" PEX Connections (PEX B)
S59-4200X3	Navigator Thermostatic Mixing Valve with ¾" PEX Connections (PEX B)
S59-4200E1	Navigator Thermostatic Mixing Valve with ½" Expansion PEX Connections (PEX A)
S59-4200E3	Navigator Thermostatic Mixing Valve with ¾" Expansion PEX Connections (PEX A)
S59-4200P1	Navigator Thermostatic Mixing Valve with ½" CPVC Connections
S59-4200P3	Navigator Thermostatic Mixing Valve with ¾" CPVC Connections
S59-4200Q1	Navigator Thermostatic Mixing Valve with ½" Quick Connections
S59-4200Q3	Navigator Thermostatic Mixing Valve with ¾" Quick Connections

Engineer's Approval _____

† The wetted surface of this product contacted by consumable water contains less than 0.25% of lead by weight.

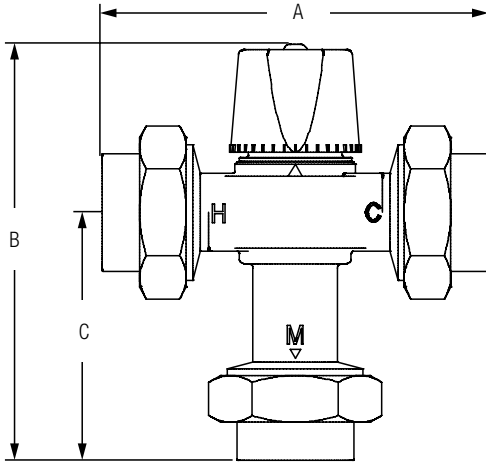
Consult local and national codes. Conformity and compliance to local and national codes is the responsibility of the installer.



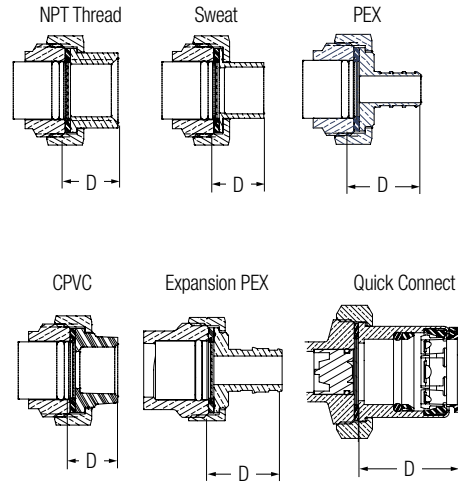
S59-4200 Series Navigator® Thermostatic Mixing Valves

Dimensions

S59-4200 Series



Connection Guide



Model No.	Connection Type	Dimension A		Dimension B		Dimension C		Dimension D		Weight	
		in.	mm	in.	mm	in.	mm	in.	mm	lb	kg
S59-4200T1	½" NPT	4 ⁷ / ₈	124	5 ⁷ / ₁₆	137	3 ³ / ₁₆	80	5 ⁵ / ₈	16	1.8	0.8
S59-4200T3	¾" NPT	4 ⁷ / ₈	124	5 ⁷ / ₁₆	137	3 ³ / ₁₆	80	5 ⁵ / ₈	16	2.4	1.1
S59-4200S1	½" Sweat	4 ¹³ / ₁₆	123	5 ⁵ / ₈	137	3 ¹ / ₈	80	5 ⁵ / ₈	15	1.7	0.8
S59-4200S3	¾" Sweat	5 ⁵ / ₁₆	135	5 ⁵ / ₈	143	3 ³ / ₈	86	7 ⁷ / ₈	22	2.3	1.0
S59-4200X1	½" PEX (PEX B)	5 ¹ / ₄	133	5 ⁵ / ₁₆	142	3 ⁵ / ₁₆	85	1 ³ / ₁₆	21	1.8	0.8
S59-4200X3	¾" PEX (PEX B)	5 ¹ / ₂	140	5 ¹¹ / ₁₆	145	3 ⁷ / ₁₆	88	1 ⁵ / ₁₆	24	2.5	1.1
S59-4200E1	½" Expansion PEX (PEX A)	5 ¹ / ₂	140	5 ¹¹ / ₁₆	144	3 ⁷ / ₁₆	87	7 ⁷ / ₈	23	1.8	0.8
S59-4200E3	¾" Expansion PEX (PEX A)	6 ¹ / ₁₆	155	5 ¹⁵ / ₁₆	151	3 ¹¹ / ₁₆	94	3 ³ / ₁₆	30	2.4	1.1
S59-4200P1	½" CPVC	4 ³ / ₄	121	5 ⁵ / ₁₆	136	3 ¹ / ₁₆	79	9 ⁹ / ₁₆	14	1.6	0.7
S59-4200P3	¾" CPVC	5 ¹ / ₄	133	5 ⁵ / ₁₆	142	3 ⁵ / ₁₆	85	1 ³ / ₁₆	21	2.2	1.0
S59-4200Q1	½" Quick Connect	6 ⁵ / ₈	168	6 ¹ / ₄	159	4	102	1 ¹ / ₂	38	2.1	0.9
S59-4200Q3	¾" Quick Connect	6 ¹⁵ / ₁₆	177	6 ⁷ / ₁₆	163	4 ³ / ₁₆	106	1 ¹¹ / ₁₆	42	2.8	1.3

Consult local and national codes. Conformity and compliance to local and national codes is the responsibility of the installer.