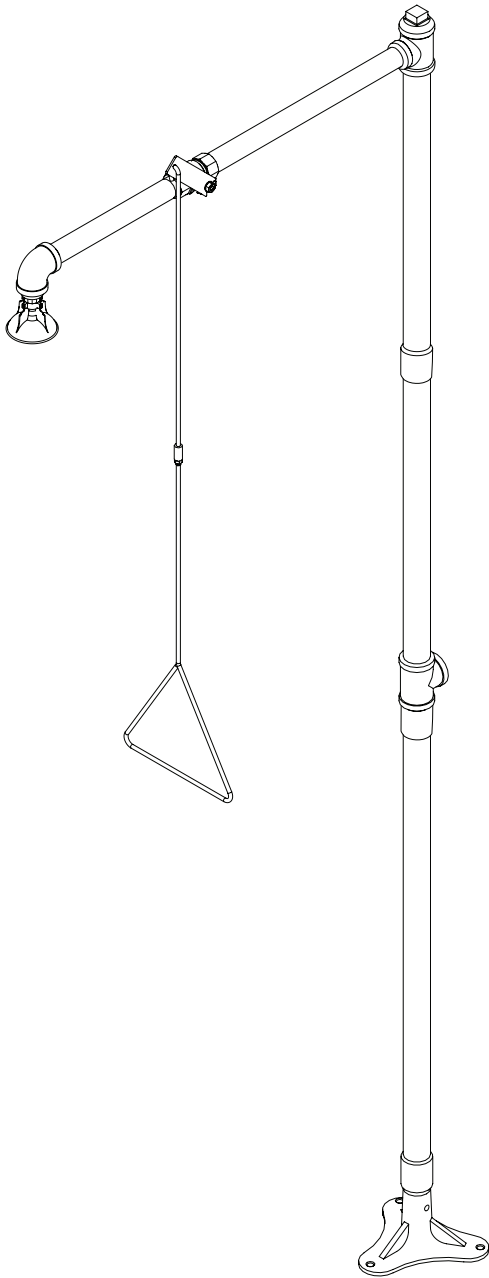


# Installation

## S19-110BF

### Freestanding Drench Shower



#### Table of Contents

Pre-Installation Information .....	2
Supplies Required .....	3
Secure base to floor .....	3
Assemble components .....	3
Connect water supply .....	3
Assembly of Components .....	4
Parts List .....	5



**Read the instructions in this manual before beginning installation. Save these instructions and refer to them for inspection, maintenance and troubleshooting information.**

For questions regarding the operation, installation or maintenance of this product, visit [bradleycorp.com](http://bradleycorp.com) or call 800.BRADLEY (800.272.3539).

Product warranties and parts information may also be found under “Resources” on our website at [bradleycorp.com](http://bradleycorp.com).



## Safety Information

### To ensure proper operation:

#### Installation

This fixture has been designed and 3rd party tested to meet ANSI/ISEA Z358.1. The system must be tested periodically to be sure it is functioning properly to meet the standard. Please refer to the ANSI/ISEA Z358.1 standard on testing requirements.

The installation, maintenance and location of all safety drench showers, eye and eye/face washes must comply with the requirements of ANSI/ISEA Z358.1. Workers who may come in contact with potentially hazardous materials should be trained regarding the location and proper operation of emergency equipment per ANSI/ISEA Z358.1.

ANSI/ISEA Z358.1 requires this unit to be used with a clean, potable, uninterrupted supply of tepid water. Bradley plumbed emergency fixtures require a minimum of 30 psi flowing pressure in order to function as designed and meet the ANSI/ISEA Z358.1 standard.

Before installation make sure that this equipment will meet the requirements of the potential hazardous contaminants in your location.

Installation of this system must be completed by a qualified plumber in compliance with all national and local codes. Compliance and conformity to drain requirements and other local codes and ordinances is the responsibility of the installer.

#### Weekly Inspections

To ensure all emergency shower and eye/face wash fixtures are ready to be used when needed, regular checks and maintenance must be conducted. Weekly inspections must be conducted on all safety equipment to make sure a suitable flushing fluid supply is present and to make sure the equipment is in good operating condition.

#### Water Temperature

ANSI/ISEA Z358.1 requires tepid water. Suitable range is 60°F to 100°F (16°C to 38°C). Personal injury is possible outside this temperature range.

## Supplies Required

- (3) 3/8" floor anchors and bolts
- Teflon tape and pipe sealant
- Piping to 1-1/4" NPT water supply inlet on unit
- Adequate supply pipe supports
- Min. 4" drain to accommodate 30 gallons per minute discharge for shower waste
- OPTIONAL: sign-mounting hardware



Local codes may require the installation of a backflow prevention valve to complete proper installation. Backflow prevention valves are not included with the fixture and may be supplied by the contractor or purchased from Bradley Corporation.

## Secure base to floor

1. Install three suitable anchors (supplied by installer) for 3/8" bolts in the floor.
2. Bolt the base to the floor anchors using 3/8" bolts (supplied by installer).

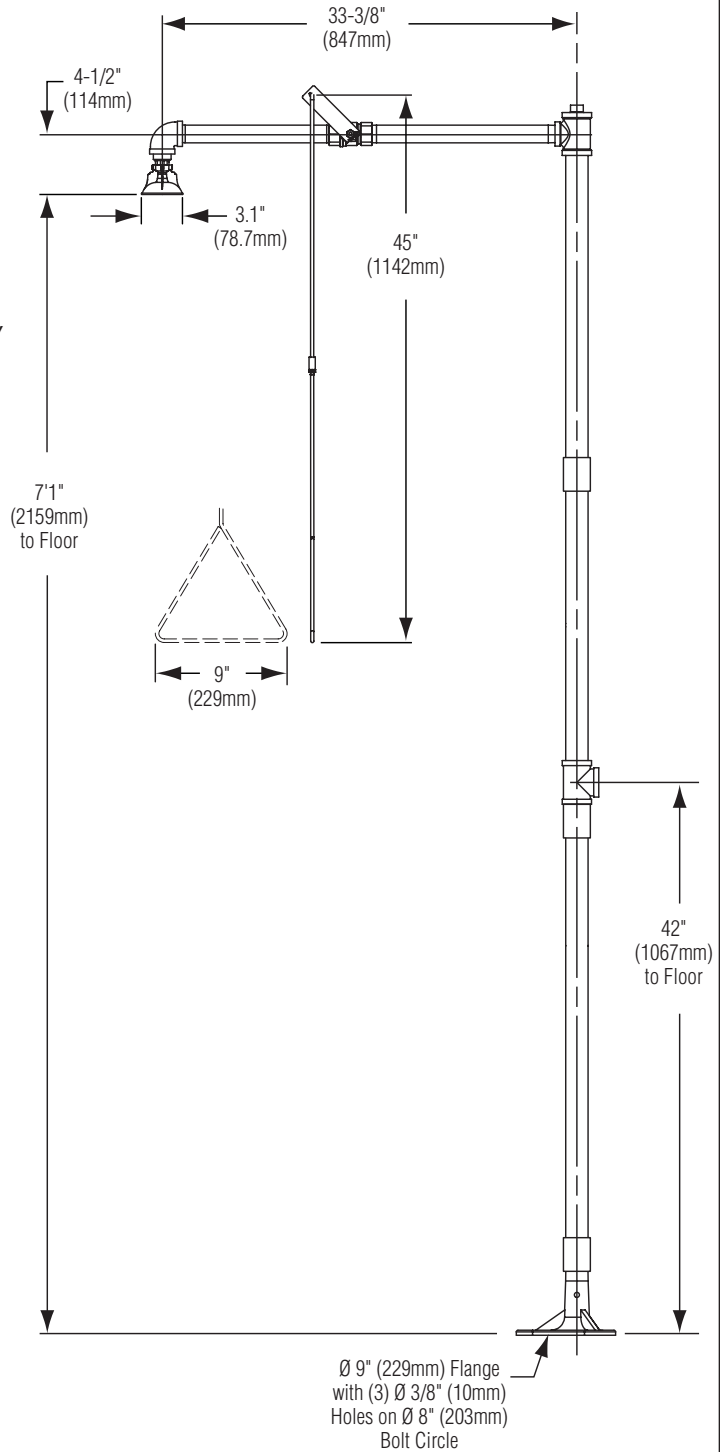
## Assemble components

1. Assemble the remaining unit components as shown on page 4.
2. Apply pipe sealant (by installer) to all male-threaded pipe joints.
3. Use the rubber grip pad provided or a strap wrench around pipes when tightening to prevent marring. Place the grip pad on the pipe, then put the wrench over the grip pad and turn the pipe with the wrench.
4. Bottom edge of showerhead should be 7'-0" (2134mm) from floor.

## Connect water supply

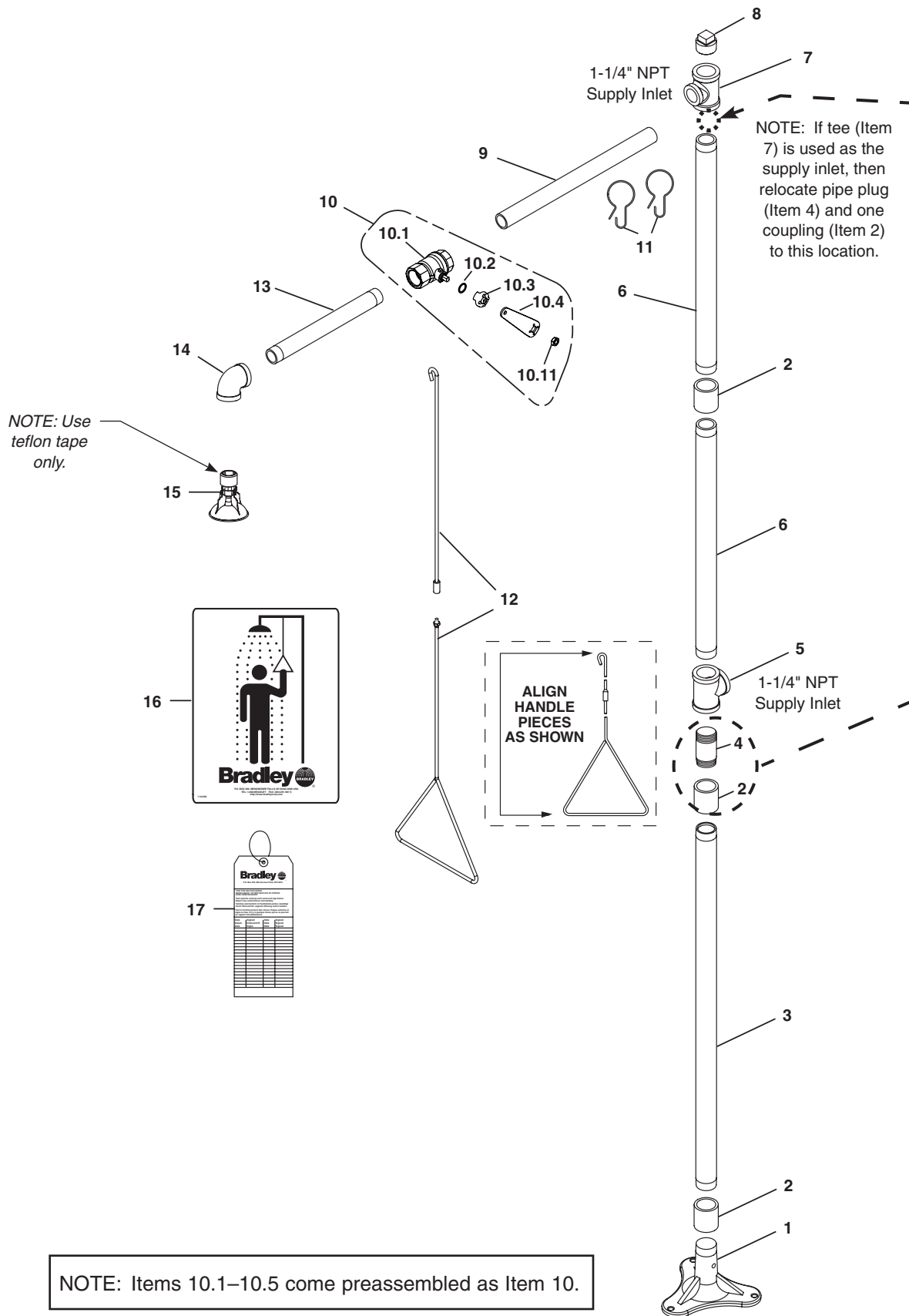
**NOTICE!** Do not rely on Bradley's Combination Unit to support supply piping.

1. Connect water supply piping to 1-1/4" NPT inlet on unit (piping by installer). Provide adequate supports (by installer) for supply pipe using pipe hangers or other means.
2. Hang the safety sign from the unit with the curtain hooks provided (or mount it to the wall using sign-mounting hardware by installer).
3. Open water supply lines. Test for leaks and adequate water flow.



All dimensions assume standard thread engagement. Variations in manufacturing allow for +/- 1/8" (3mm) per threaded joint. To find the tolerance of a dimension, add the number of thread joints in between a dimension and multiply it by 1/8" (3mm).

# Assembly of Components



## Parts List

Item	Part No.	Qty.	Description	Item	Part No.	Qty.	Description
1	131-059	1	Base	10.2	124-048	1	Friction Washer
2	169-853	3	Coupling 1-1/4"	10.3	153-489	1	Adapter
3	113-1181	1	Pipe 1-1/4" NPT x 31"	10.4	128-201	1	Handle
4	S06-136	1	Pipe Plug	11	151-001	2	Curtain Hook
5	169-727	1	Pipe Tee 1-1/4" NPT	12	S90-365D	1	Pull Rod
6	113-006LW	2	Pipe 1-1/4" NPT x 22-1/2"	13	113-006LK	1	Pipe 1" NPT x 12"
7	169-722	1	Red. Tee 1-1/4" x 1-1/4" x 1" NPT	14	169-847	1	90° Elbow 1" NPT
8	169-724	1	Sq. Head Pipe Plug 1-1/4" NPT	15	S24-188	1	Plastic Showerhead Assembly
9	269-434	1	Pipe 1" NPT x 9"	16	114-050	1	Safety Sign
10	S30-059	1	Stay-Open Ball Valve 1" NPT	17	204-421	1	Emergency Inspection Tag
10.1	S27-278	1	Ball Valve 1" with Jam Nut	18	269-915	1	Grip Pad (not shown)
10.11	110-214	1	Jam Nut only				