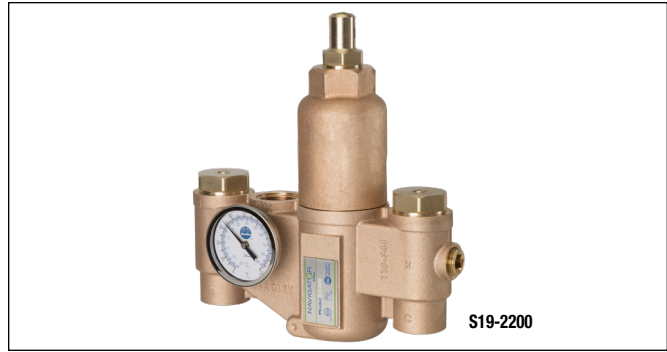




A WATTS Brand

S19-2200 (EFX60) Emergency Fixture Thermostatic Mixing Valves

- Exceeds ANSI Z358.1
- Reliable Liquid-Filled Thermostat with 10-Year Warranty
- Integral Strainer Checkstops on Inlets
- Adjustable Set Point within Temperature Range
- Accurate Temperature Control to within $\pm 3^{\circ}$ F
- Built-in Cold Water Bypass, Assuring Cold Flow
- Positive Shutoff of Hot Supply When Cold Supply is Lost
- Easy Installation and Serviceability
- Dirt and Lime Resistant
- Dial Thermometer
- Factory Assembled and Tested
- Universal Mounting Capability
- Cabinet Features:
 - 18 Gauge Body & Door
 - Left-Hand Hinge
 - Cylinder Lock
 - Inlet/Outlet Knock-Out Holes for Mounting Flexibility
 - Stainless Steel or Baked White Enamel Finishes
 - Surface-Mounted or Recessed Style



S19-2200

Valve Specifications

Maximum Operating Pressure

125 PSI (860 kPa)

Maximum Inlet Temperature

180° F (82° C)

Recommended Inlet Temperature

120° F (49° C) – 140° F (60° C)

Temperature Range

Std. 65° F (18° C) to 95° F (35° C) **Set Point** 85° F (29° C)

Flow Capacities – GPM

Model	Min. Flow	Pressure Drop – PSI						
		5	10	15	20	30	45	60
S19-2200	2	22.0	31.0	38.0	43.5	53.5	65.5	75.5
Cold Bypass Only		16.5	23.5	29.0	33.5	41.0	50.0	58.0

Flow Capacities – L/Min

Model	Min. Flow	Pressure Drop – Bar						
		.5	1.0	1.5	2.0	2.5	3.0	4.0
S19-2200	7.5	99.5	141.0	172.5	199.0	222.5	244.0	281.5
Cold Bypass Only		76.3	108.0	132.0	152.5	170.5	187.0	216.0

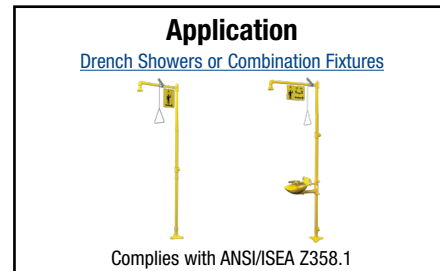
This plumbing fixture is not intended to dispense water for human consumption through drinking or for preparation of food or beverages.

Valve Model	Description
Model S19-2200	Emergency Fixture Thermostatic Mixing Valve

Configurable Valve Model (select one)	Description
Model EFX60	EFX60 Thermostatic Mixing Valve with Options
CAB-EFX60	EFX60 Thermostatic Mixing Valve Cabinet Only

Optional Valve Selections	
Finish	
R	Rough Brass (standard)
C	Chrome Plated
Bracket	
B	Wall Mounting Bracket
O	None
Piped Assembly	
P	Piped Assembly with Inlet and Outlet Shutoff
N	Piped Assembly only
O	None
Optional Cabinet Selections	
Cabinets (includes bracket)	
SS*	Surface Mount Stainless Steel
RS*	Recessed Stainless Steel
SE*	Surface Mount White Enamel
RE*	Recessed White Enamel
O*	None
Window	
W	Plexi-Glass Window in Door
O	None

*Requires piped assembly



Engineer's Approval _____

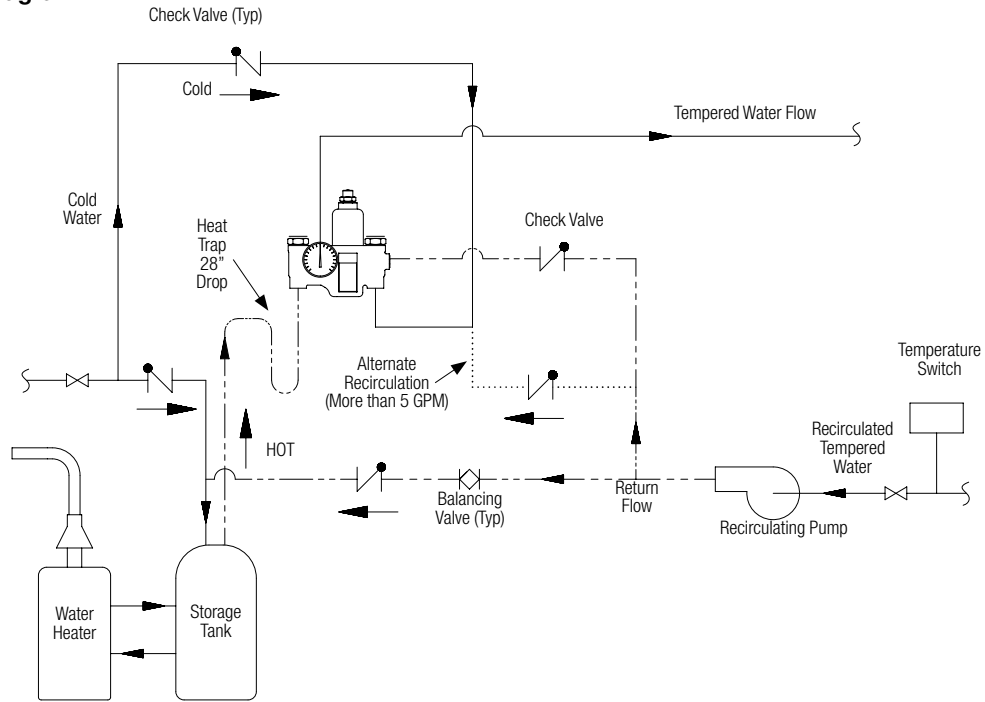


A WATTS Brand

S19-2200 (EFX60) Emergency Fixture Thermostatic Mixing Valves

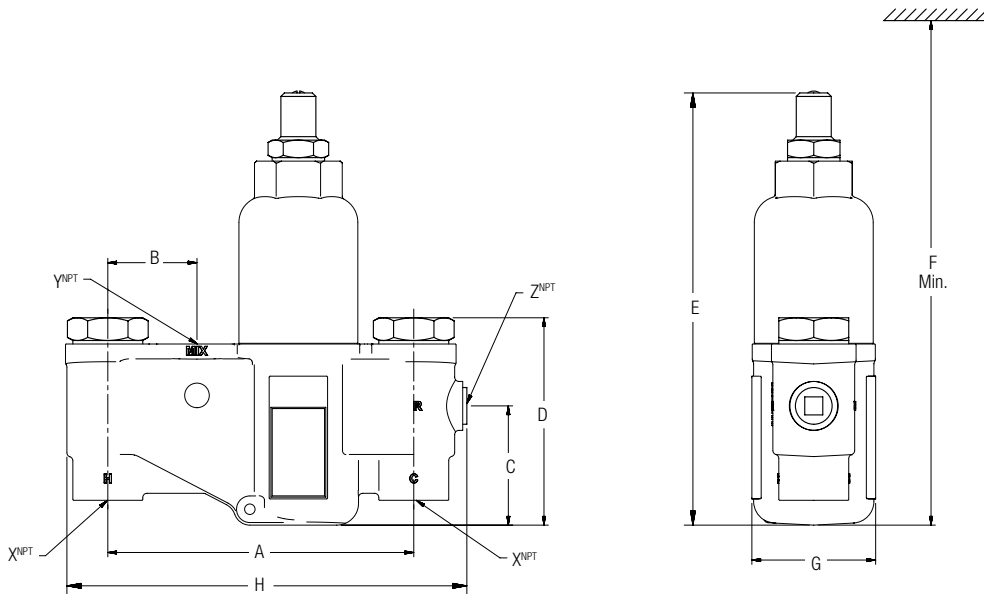
(mm)

Recirculation Diagram



Dimensions

Model	A	B	C	D	E	F	G	H	X ^{NPT}	Y ^{NPT}	Z ^{NPT}
S19-2200	8-3/4" (224)	2-1/2" (64)	3-3/8" (86)	5-7/8" (149)	12-1/4" (312)	19" (483)	3-1/2" (90)	11-1/2" (292)	1"	1-1/4"	3/4"





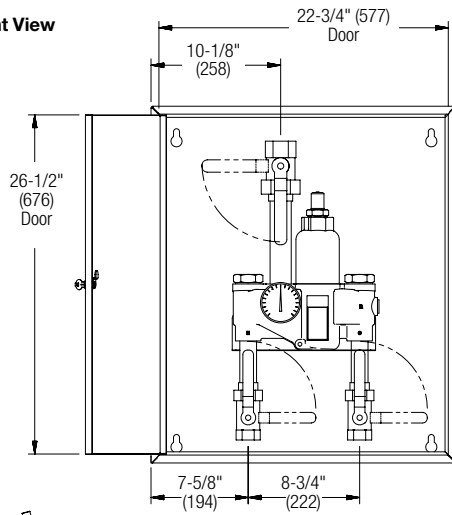
A WATTS Brand

S19-2200 (EFX60) Emergency Fixture Thermostatic Mixing Valves

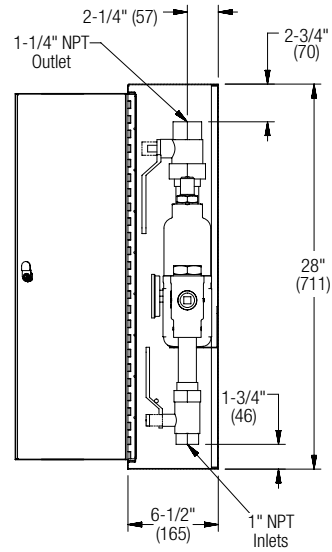
Dimensions — Surface-Mounted Cabinet

(mm)

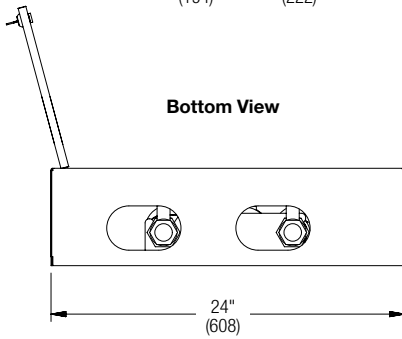
Front View



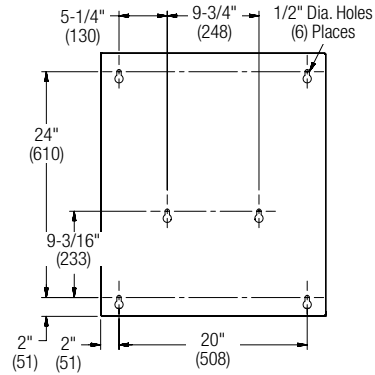
Side View



Bottom View



Mounting Hole Locations





A WATTS Brand

S19-2200 (EFX60) Emergency Fixture Thermostatic Mixing Valves

(mm)

Dimensions — Recessed Cabinet

