



# S91-058, S91-058A Bottom Cover Assembly

## Specifications

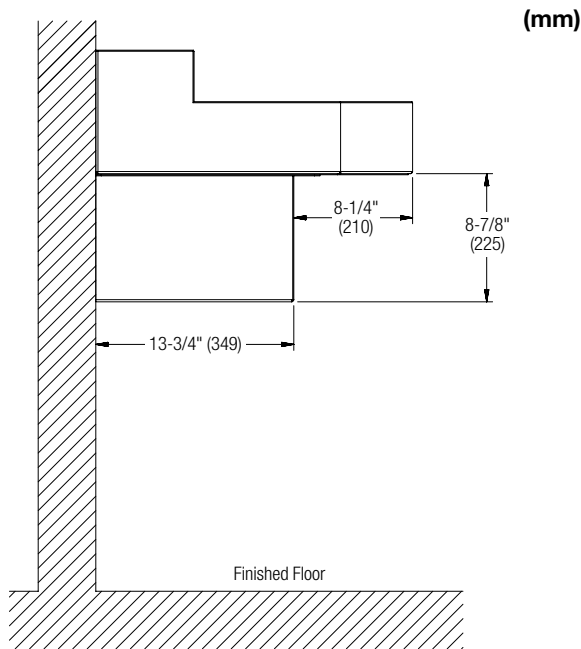
To optimize vandal resistance on front mount units, the bottom cover assembly encloses waste piping below unit and provides a finished appearance. Bottom cover assembly is constructed of heavy gauge Type 304 stainless steel in either bead blast (S91-058A) or polished stainless steel (S91-058).



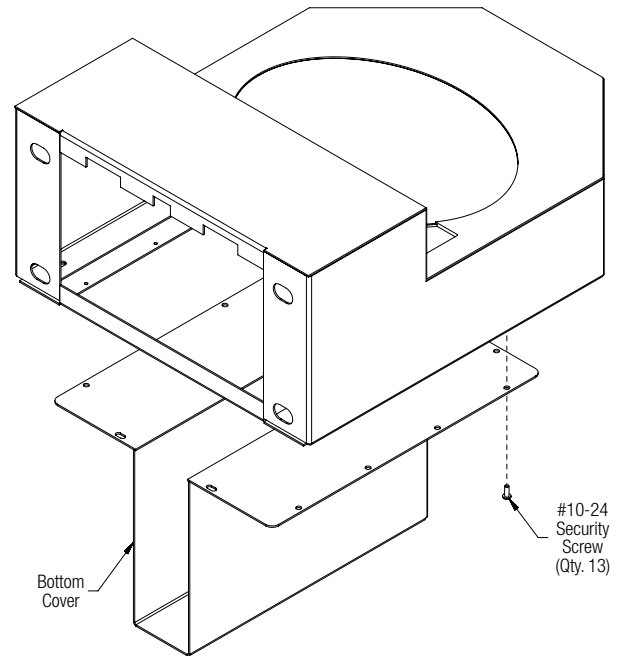
Bradley compatible model 6185FM.

Model Number	Description
S91-058	Bottom Cover Assembly – Polished Stainless Steel
S91-058A	Bottom Cover Assembly – Bead Blast

**SIDE VIEW**



**INSTALLATION**



**BACK VIEW**

