



3B1-00 & 3B1-10 Series Elvari™ Recessed & Semi-Recessed Waste Receptacles

Key Features

- High quality and modern style complements other [Elvari™ products](#)
- Advanced weld construction
- D-shape design
- Bag retention ring included
- Removeable waste receptacle

Capacity

Small Capacity: 8 gallon

Medium Capacity: 12 gallon

Large Capacity: 18 gallon

Guide Specification

Recessed and semi-recessed waste receptacle. High quality and style. 20-gauge, 300 series stainless steel in a brushed #3 satin finish or optional electrocoat finishes. Welded, D-shape construction. Bag retention ring holds liners in place and can serve as a handle.

Overall Dimensions – Small Capacity:

26-9/16" H x 16-9/16" W x 8-11/16" D (675mm x 420mm x 220mm)

Overall Dimensions – Medium Capacity:

35-9/16" H x 16-9/16" W x 8-11/16" D (904mm x 420mm x 220mm)

Overall Dimensions – Large Capacity:

35-9/16" H x 16-9/16" W x 12-11/16" D (904mm x 420mm x 321mm)

MasterFormat Title: Commercial Toilet Accessories

MasterFormat Number: 10 28 13.13

OmniClass Title: Toilet and Bath Specialties

OmniClass Code: 23.31.25.00

Product Compliance

Complies with

- The Americans with Disabilities Act (ADA)
- ANSI/ICC A117.1 - Accessible and Usable Buildings & Facilities



Listed by UL Environment to

- GreenGuard Gold



- Consult local and national accessibility codes for proper installation guidelines. Conformity and compliance with local and national codes is the responsibility of the installer.

Orders composed of products indicated as **BradEX®** will be available to ship in three days after receipt of order at the factory. There is no pricing penalty for this service from Bradley.

Verify all rough-in dimensions prior to installation.



Finishes

- Click on any color swatch to view as a larger image.



*Electrocoat Finishes, see Optional Electrocoat Finishes section on page 2.

For information on Warranties, Maintenance and BAA/ARRA Compliance, visit our website at: bradleycorp.com/washroom-accessories-products



A WATTS Brand







3B1-00 & 3B1-10 Series

Elvari™ Recessed & Semi-Recessed Waste Receptacles

Optional Electrocoat Finishes

Bradley offers an exclusive, proprietary electrocoat color process on the Elvari waste receptacle models. Unlike powder coating, color is applied to the entire stainless steel part using a submersion process with electrically charged particles. This process results in a precise film thickness across all surfaces, allowing the grain of the stainless steel to show through.

Electrocoat provides complete coverage to the part and has environmental advantages such as no or low-VOC and HAPs (Hazardous Air Pollutants), heavy metal-free products, and minimum waste discharge. Bradley's electrocoat is durable and easy to clean as well as fingerprint, stain and corrosion resistant. A UV light stabilizer additive enhances resistance to weathering and color fade. Products are performance tested for adhesion following ASTM D3359-22 and impact resistance following ASTM D2794.

Model (Must select one)	
3B1	Elvari Waste Receptacle
Standard Selections (Must select one from each category)	
Mounting Type (select one)	
0	Recessed
10	Semi-Recessed ¹
Capacity Type (select one)	
34	Small
0	Medium ¹
36	Large
Waste Receptacle Finish Type (Must select one)	
BB	 Brushed Black
BR	 Brushed Brass
BZ	 Brushed Bronze
BN	 Brushed Nickel
BS	 Brushed Stainless
SS	 Satin Stainless ¹

¹ Only Mounting Type 10 (Semi-Recessed) in combination with Capacity Type 0 (Medium) and Finish Type SS (Satin Stainless is available with **BradEX**® expedited shipping.

Orders composed of products indicated as **BradEX**® will be available to ship in three days after receipt of order at the factory. There is no pricing penalty for this service from Bradley.

Verify all rough-in dimensions prior to installation.



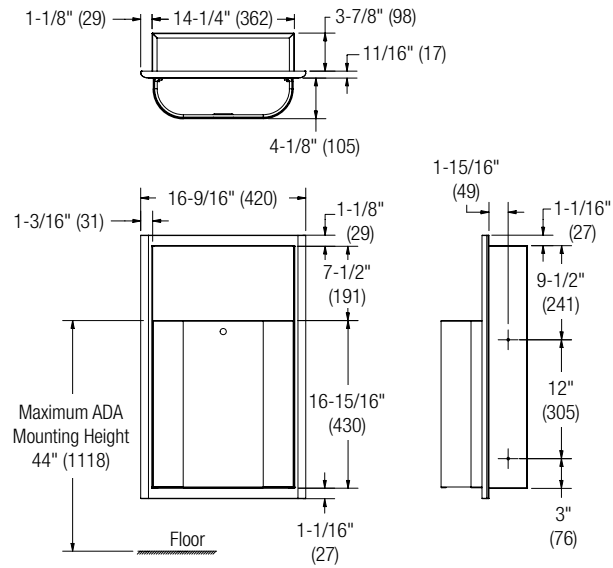
A WATTS Brand

3B1-00 & 3B1-10 Series Elvari™ Recessed & Semi-Recessed Waste Receptacles

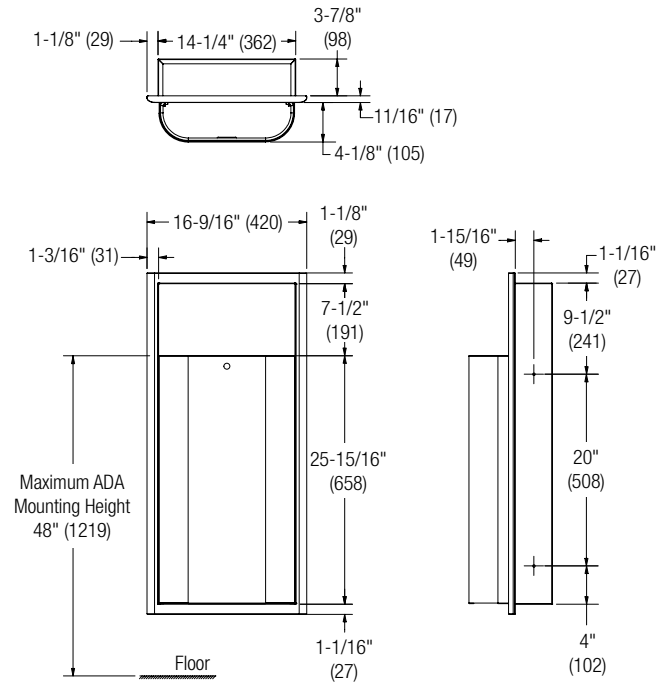
Dimensions – Recessed

(mm)

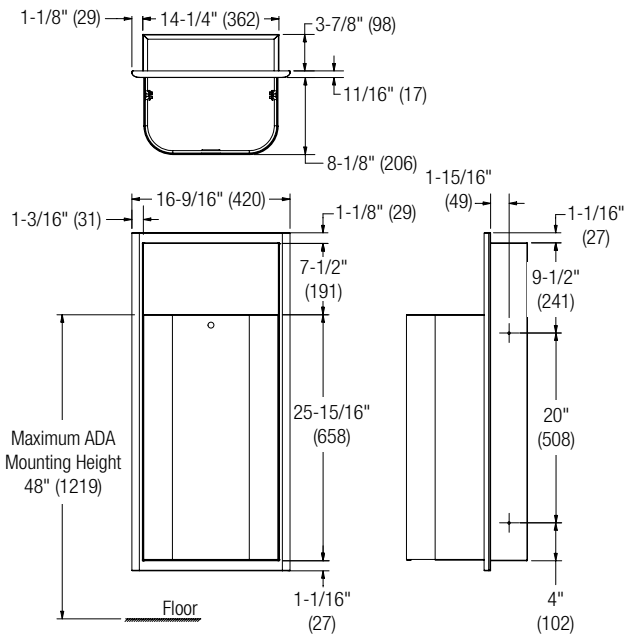
Small Capacity



Medium Capacity



Large Capacity



Orders composed of products indicated as **BradEX**® will be available to ship in three days after receipt of order at the factory. There is no pricing penalty for this service from Bradley.

Verify all rough-in dimensions prior to installation.



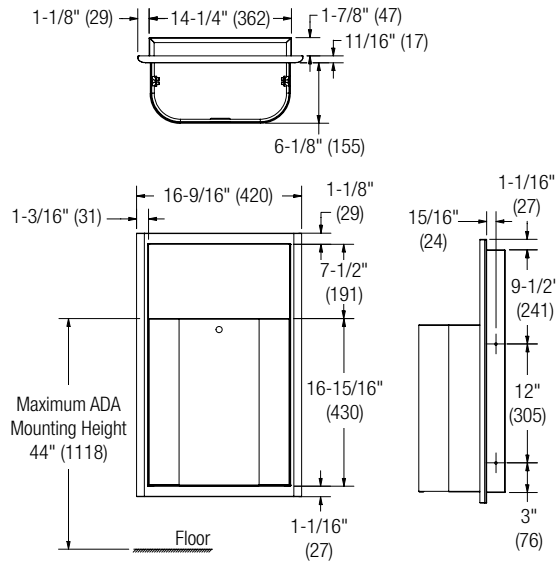
A WATTS Brand

3B1-00 & 3B1-10 Series Elvari™ Recessed & Semi-Recessed Waste Receptacles

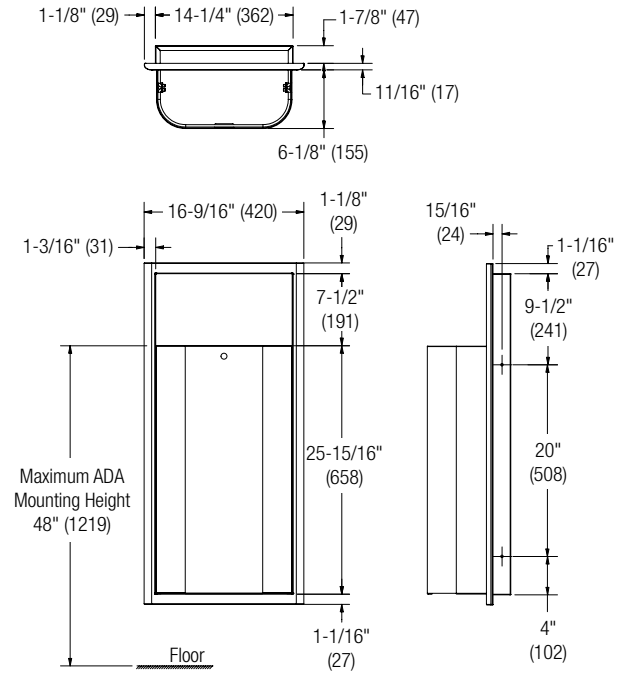
Dimensions – Semi-Recessed

(mm)

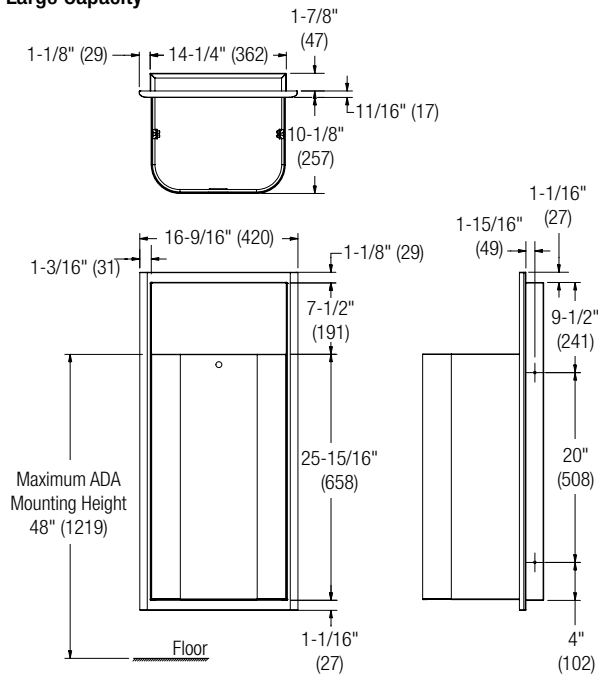
Small Capacity



Medium Capacity



Large Capacity



Orders composed of products indicated as **BradEX**® will be available to ship in three days after receipt of order at the factory. There is no pricing penalty for this service from Bradley.

Verify all rough-in dimensions prior to installation.