

## Rockwood 2600 Series Coordinator

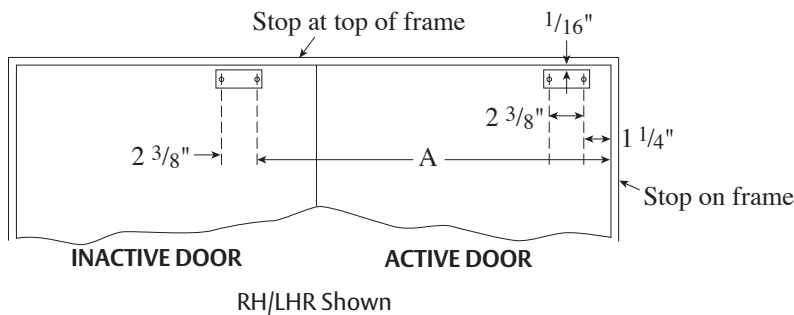
The global leader in  
door opening solutions

For Installation Assistance, Call Rockwood Products at 800-458-2424 • [www.assaabloydooraccessories.us](http://www.assaabloydooraccessories.us)

**NOTE: INSTALL COORDINATOR BEFORE ANY OTHER HDW, EXCEPT HINGES.**

### 1. Prepare Door

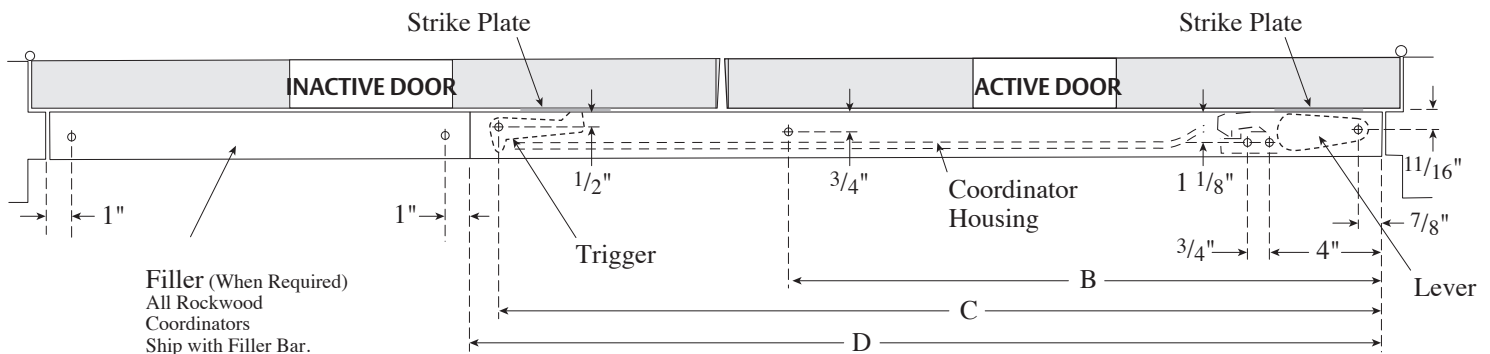
Close door against stop. Locate active and inactive door strikes as shown in drawing #2654. Drill first hole in strike on active door at  $1\frac{1}{4}$ " from stop on frame and first hole on strike for inactive door at  $47\frac{1}{2}$ ".



Housing Length	A	B	C	D
32" (N1648)	27 1/2"	OMIT	31"	32"
42" (NX1648)	37 1/2"	OMIT	41"	42"
52" (1654-1696)	47 1/2"	26"	51"	52"
60" (L16108)	55 1/2"	26"	59"	60"

### 2. Fasten Coordinator

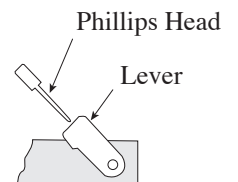
Locate 2600 series coordinator as shown. Drill mounting holes with #10 drill. Install #12-24 thread forming screws. Be sure that coordinator is properly positioned before drilling and installing screws. See chart above for mounting hole locations. Reinforcement is advised at hole locations in frame.



PLAN VIEW OF DOORS AND FRAME

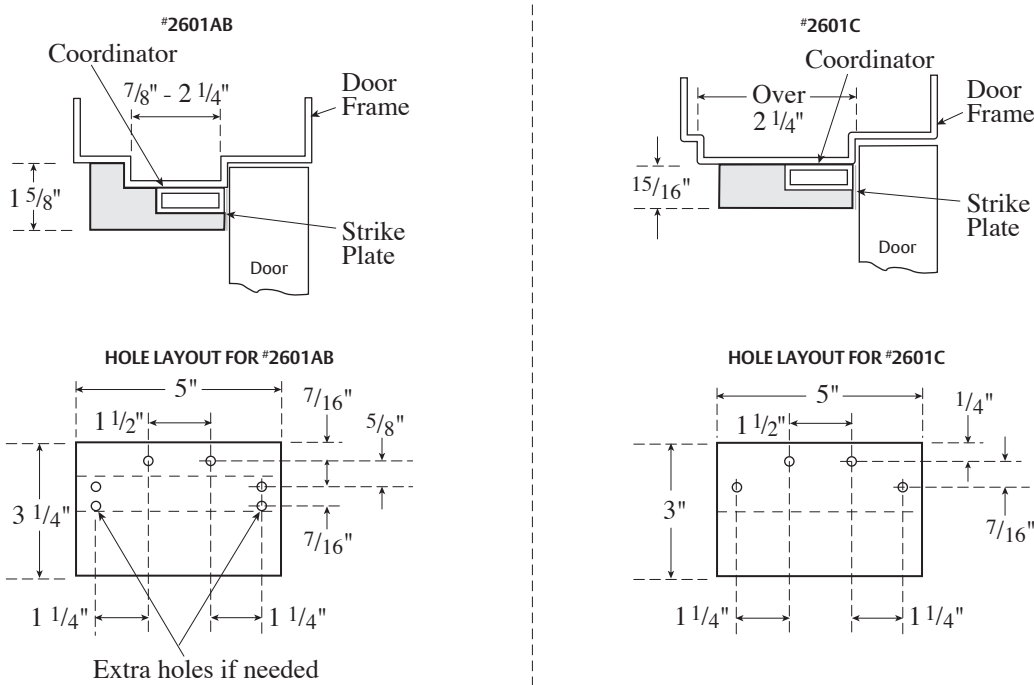
**NOTE:** Field adjustment of door closers is required after installation of coordinator to insure against doors closing too fast and changing coordinator mechanism.

Field adjustment of coordinator override could be needed. Use Phillips head screw driver to adjust lever spring. Turn clockwise to increase override for heavy doors.



### 3. Mounting Brackets (optional)

In some situations, where hardware such as parallel arm door closers or surface vertical rod strikes would normally be mounted to the door stop, installation becomes a little more complicated because the coordinator now covers the stop and no holes can be drilled (in the coordinator) which would interfere with the coordinator mechanism. The mounting brackets #2601AB (for stop widths  $\frac{7}{8}$ " to  $2\frac{1}{4}$ ") and #2601C (for stop widths over  $2\frac{1}{4}$ ") are installed over the coordinator and mounted to the door frame. The hardware is then installed by drilling and tapping holes in the bracket. (NOTE: When mounting brackets are used, be sure to lower mounting holes for door applied hardware  $\frac{15}{16}$ " to allow for coordinator and mounting brackets. The mounting bracket type and quantity need to be ordered with the coordinator.



### 4. #1100 Carry Open Bar (Optional)

This item can be supplied in situations which can allow the inactive door to open before the active door. The carry bar will throw the active door open, and allow the coordinator to engage both doors, and coordinate them to close correctly. The carry bar is not needed when the inactive door is equipped with flush bolts.

