

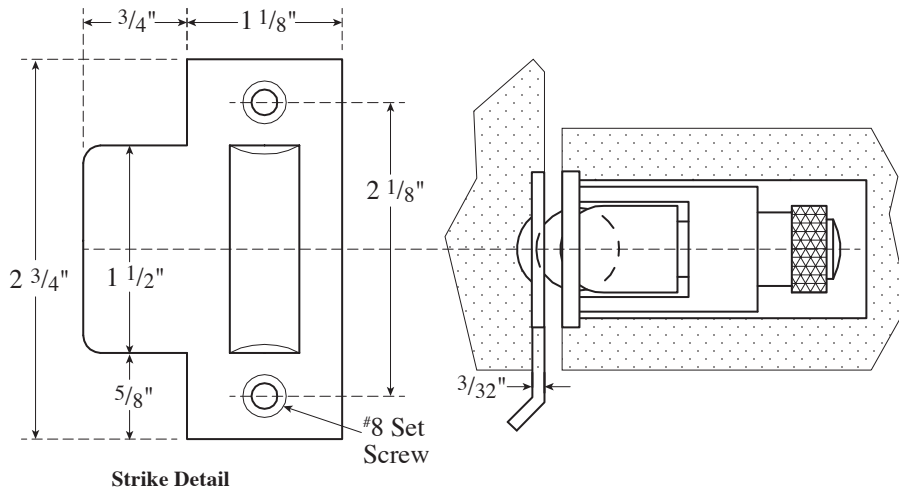
Architectural Door Accessories

ASSA ABLOY
Opening Solutions

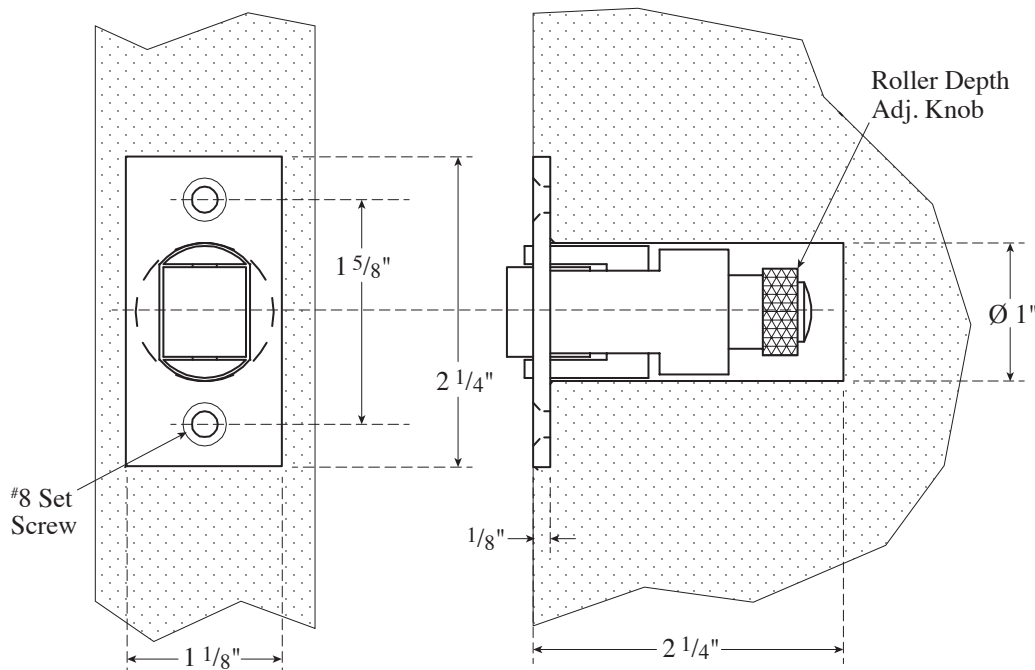
Rockwood 594 Roller Latch

Experience a safer
and more open world

NOT TO SCALE



Strike Detail



The roller latch can be mounted into the door and the strike into the frame or the strike can be mounted into the door and the roller latch into the frame depending on individual choice. Side jamb or header mounted.

Drill Ø 1" hole x dp. 2 1/4" for roller latch and mortise W 1 1/8" x H 2 1/4" x dp. 1/8" for face plate.

Mortise strike W 1 1/8" x H 2 3/4" x dp. 3/32" mortise W 1/2" x H 1 3/4" x dp. 7/32" center section for roller groove.

Template T-594

Effective date: July 1, 2019
Supersedes: All Previous

NOTE: ASSA ABLOY reserves the right to make product changes and is not responsible for obsolete template errors. To ensure your template is current, please visit our website at www.assaabloydooraccessories.us or call us at 800-458-2424.

ASSA ABLOY Opening Solutions
Architectural Accessories Group
Rockwood, PA
Phone: (800) 458-2424 • Fax: (800) 922-9212
www.assaabloydooraccessories.us

Copyright © 2019, ASSA ABLOY Accessories and Door Controls Group, Inc. All rights reserved. Reproduction in whole or in part without the express written permission of ASSA ABLOY Accessories and Door Controls Group, Inc. is prohibited.

T-594 - 7/19