

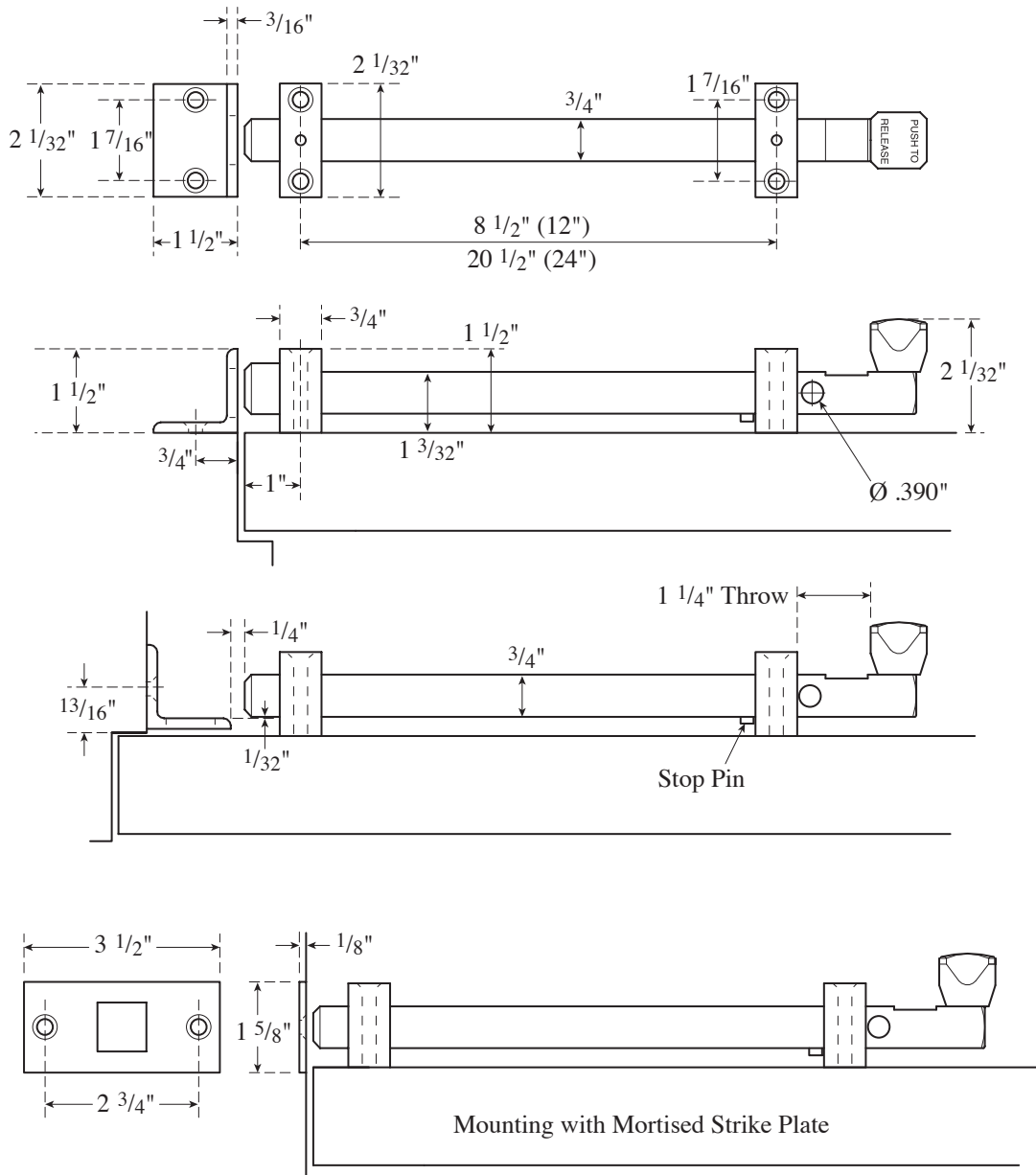
# Architectural Door Accessories

**ASSA ABLOY**

## Rockwood 585 Series Surface Bolts

The global leader in  
door opening solutions

NOT TO SCALE



**FASTENERS NOTE:**

- (four) 1/4"-20 x 2 1/4" Flat Head Machine Screws
- (four) 1/4"-20 x 1 5/8" Sex Bolts
- (two) #14 x 2 1/2" with Plastic Anchor
- (two) 1/4"-20 x 1" Flat Head Machine Screws with Anchor

### Template T-585

**Effective date:** Oct. 9, 2018  
**Supersedes:** All Previous

NOTE: ASSA ABLOY reserves the right to make product changes and is not responsible for obsolete template errors. To ensure your template is current, please visit our website at [www.assaabloydooraccessories.us](http://www.assaabloydooraccessories.us) or call us at 800-458-2424.

**WARNING**

This product can expose you to lead which is known to the state of California to cause cancer and birth defects or other reproductive harm. For more information go to [www.P65warnings.ca.gov](http://www.P65warnings.ca.gov).