

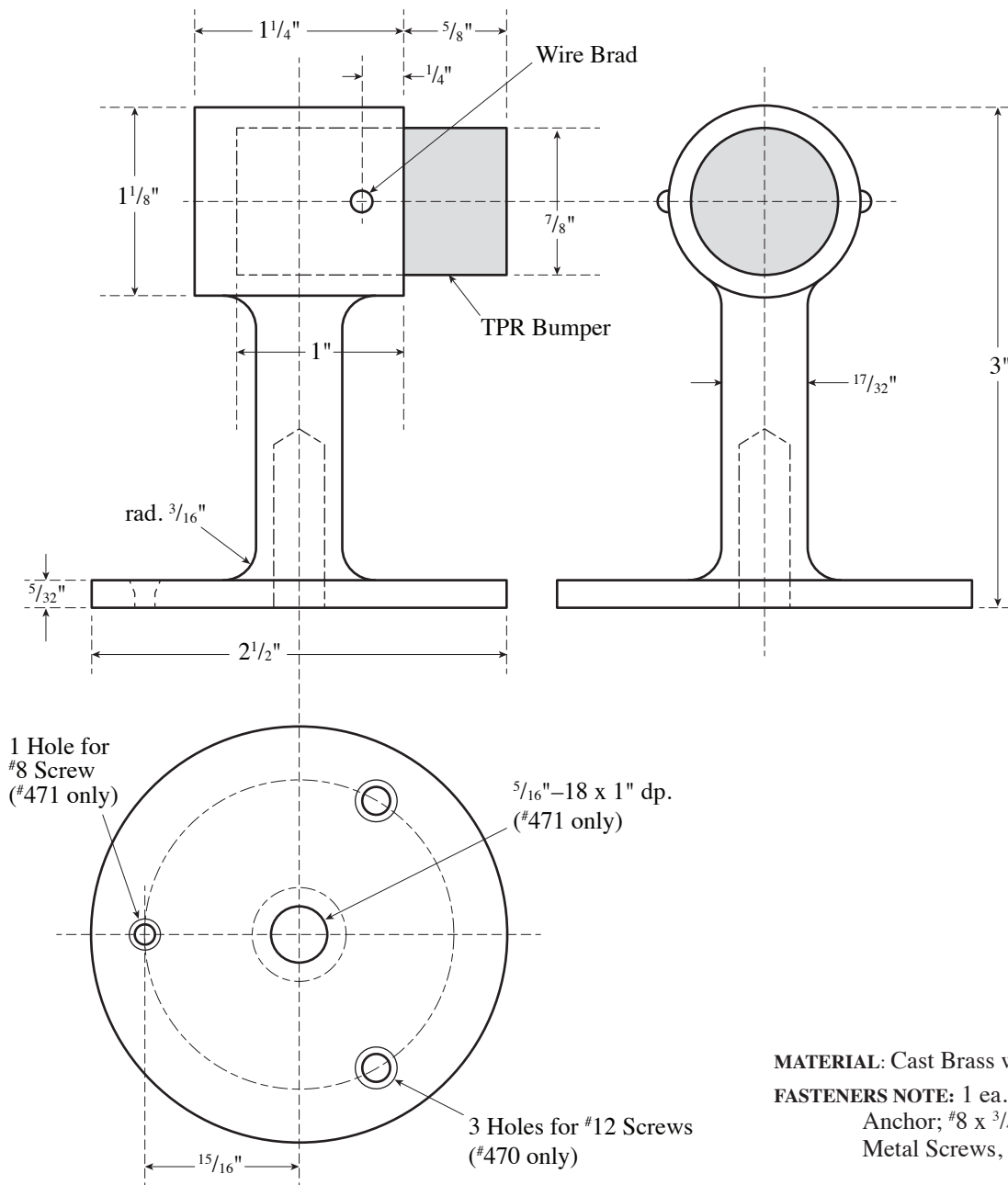
Architectural Door Accessories

ASSA ABLOY

Rockwood 471 Door Stop

The global leader in
door opening solutions

NOT TO SCALE



Template T-471

Effective date: Oct. 9, 2018
Supersedes: All Previous

NOTE: ASSA ABLOY reserves the right to make product changes and is not responsible for obsolete template errors. To ensure your template is current, please visit our website at www.assaabloydooraccessories.us or call us at 800-458-2424.

⚠ WARNING

This product can expose you to lead which is known to the state of California to cause cancer and birth defects or other reproductive harm. For more information go to www.P65warnings.ca.gov.

MATERIAL: Cast Brass with Rubber Bumper
FASTENERS NOTE: 1 ea. $\frac{5}{16}$ "-18 x $1\frac{3}{4}$ " Stud, Anchor; #8 x $\frac{3}{4}$ " Oval Head Sheet Metal Screws, Plastic Anchor

300 Main Street
Rockwood, Pennsylvania 15557
P: 800.458.2424 • F: 800.922.9212
www.assaabloydooraccessories.us • orders.rockwood@assaabloy.com

Copyright © 2018, ASSA ABLOY Accessories and Door Controls Group, Inc. All rights reserved. Reproduction in whole or in part without the express written permission of ASSA ABLOY Accessories and Door Controls Group, Inc. is prohibited.

T-471 - 10/18