

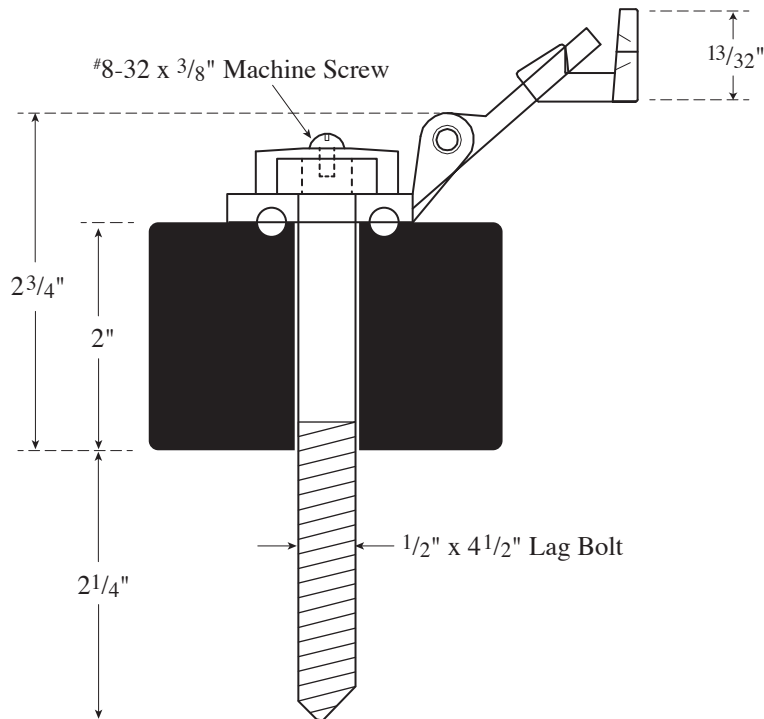
# Architectural Door Accessories

**ASSA ABLOY**

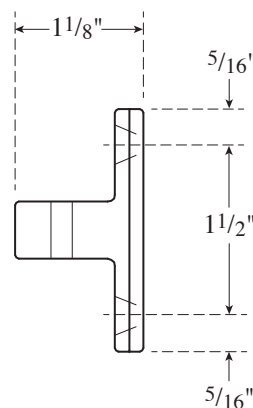
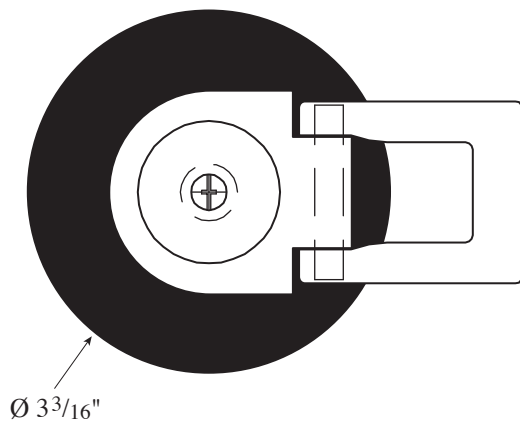
## Rockwood 464-RKW Heavy Duty Stop and Holder

The global leader in  
door opening solutions

NOT TO SCALE



1/2" x 3" Shield



(two) #8 x 1 1/4" Sheet Metal Screws

### Template T-464-RKW

**Effective date:** Oct. 9, 2018

**Supersedes:** All Previous

NOTE: ASSA ABLOY reserves the right to make product changes and is not responsible for obsolete template errors. To ensure your template is current, please visit our website at [www.assaabloydooraccessories.us](http://www.assaabloydooraccessories.us) or call us at 800-458-2424.

#### **WARNING**

This product can expose you to lead which is known to the state of California to cause cancer and birth defects or other reproductive harm. For more information go to [www.P65warnings.ca.gov](http://www.P65warnings.ca.gov).