



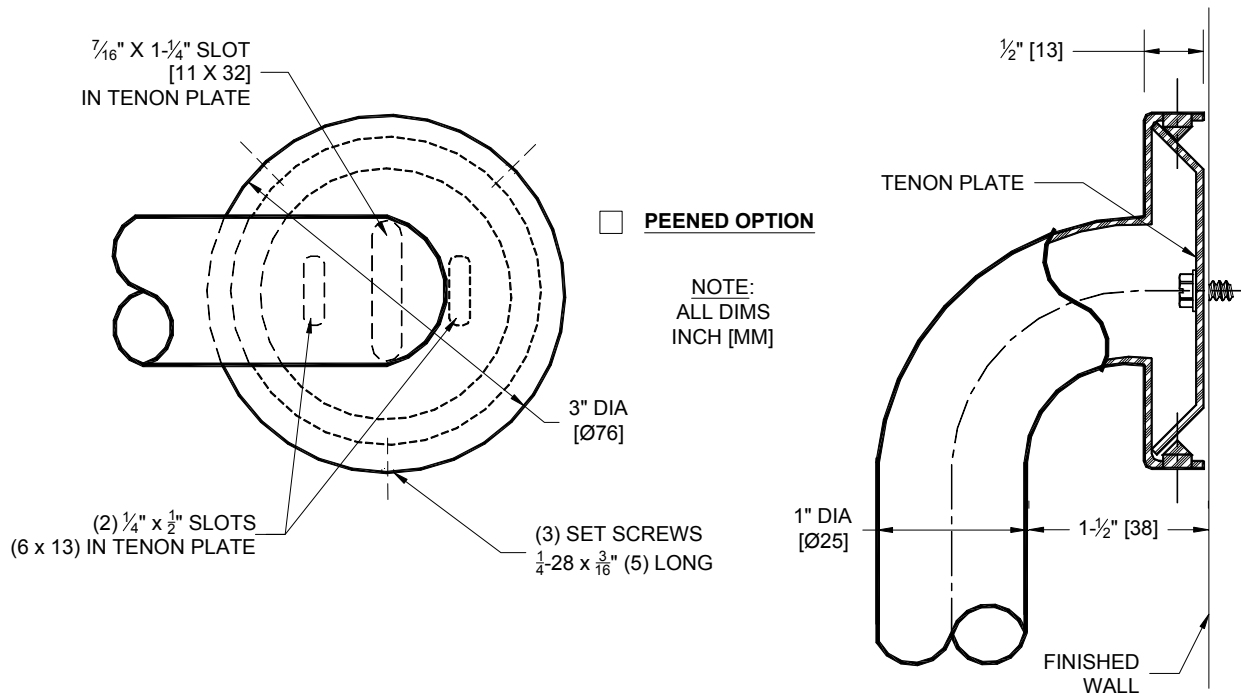
AMERICAN SPECIALTIES, INC.
 441 Saw Mill River Road, NY 10701
 (914) 476.9000 • (914) 476.0688
 www.americanspecialties.com

MODEL №: 3000

ISSUED: 01/87

REVISED: 07 Nov 2012

1" DIA (Ø25) GRAB BAR - TOWEL BAR WITH FLANGES CONCEALED MOUNTING



SPECIFICATION

Grab Bar-Towel Bar with Flanges for Concealed Mounting shall be type 304 stainless steel alloy 18-8. Tubing shall be 1" diameter (Ø25) x 18 gauge (1.2). Flange shall be heliarc welded to tubing with a continuous concealed bead and shall be 11 gauge (3) thick. Three (3) tamper resistant 1/4-28 stainless steel hex socket set screws shall be supplied for each flange. Mounting Tenon plates shall be fabricated of case hardened cadmium plated 13 gauge (2.3) steel. All exposed surfaces of bar shall have satin finish and be protected during shipment with a plastic bag. For optional non-slip surface add suffix -P (peened).

Grab Bar-Towel Bar with Flanges for Concealed Mounting shall be Series № 3000 of American Specialties, Inc., 441 Saw Mill River Road, Yonkers, New York 10701- 4913

STRENGTH

ASI Grab Bar-Towel Bars are designed to match the style of 3100-3200 series GB's and have similar weight capacity and strength. Mounting to the wall is a critical part of the system to meet the strength requirement. To withstand the shear, tension or pullout, and torsion loads generated by the maximum loading, the fastener system must be adequately sized.

INSTALLATION

Tenon plates are secured to wall with a 1/4" bolt (by others) through an elongated slot that provides 1" (25) vertical range and 3/16" (5) horizontal range for fitting adjustment. Flanges are then fitted over Tenon plates and secured by tightening the hex socket set screws (provided). Appropriate anchoring and backing must be provided in accordance with local building codes or as specified prior to wall finishing. Anchors are available from ASI and must be specified separately (see 3900 series).



AMERICAN SPECIALTIES, INC.
 441 Saw Mill River Road, NY 10701
 (914) 476.9000 • (914) 476.0688
 www.americanspecialties.com

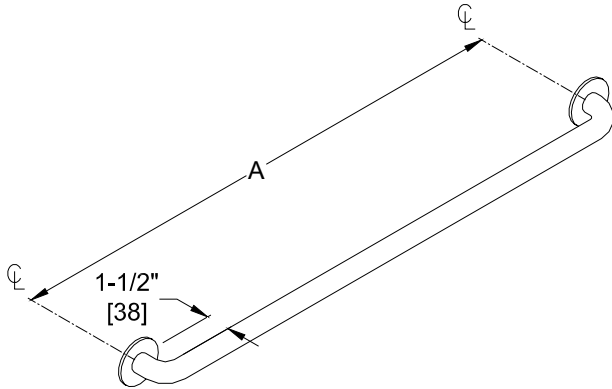
MODEL №: GRABBAR CONFIG

ISSUED: 09/96

REVISED: 23 FEB 2015

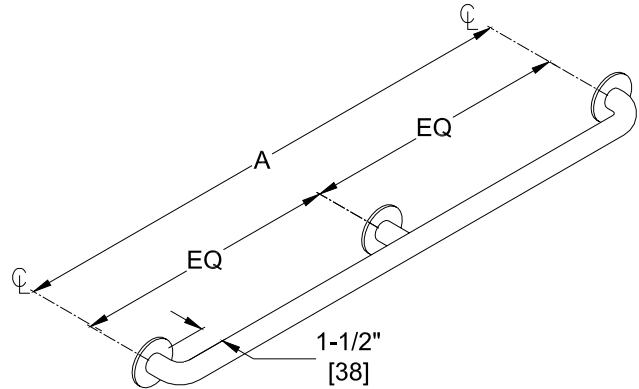
GRAB BAR CONFIGURATIONS (PG 1 OF 3)

TYPE -01



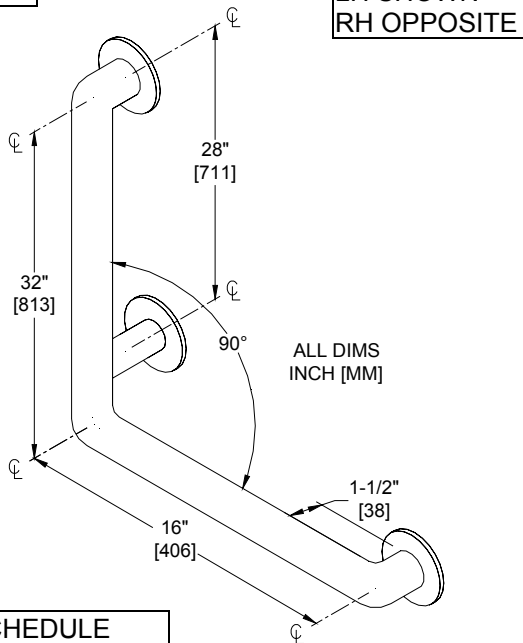
SCHEDULE			
QTY.	DIM. A	QTY.	DIM. A
	12" [305]		36" [914]
	18" [457]		42" [1067]
	24" [610]		48" [1219]
	30" [762]		

TYPE -02



SCHEDULE	
QTY.	DIM. A
	52" [1321]
	54" [1372]
	60" [1524]
	72" [1829]

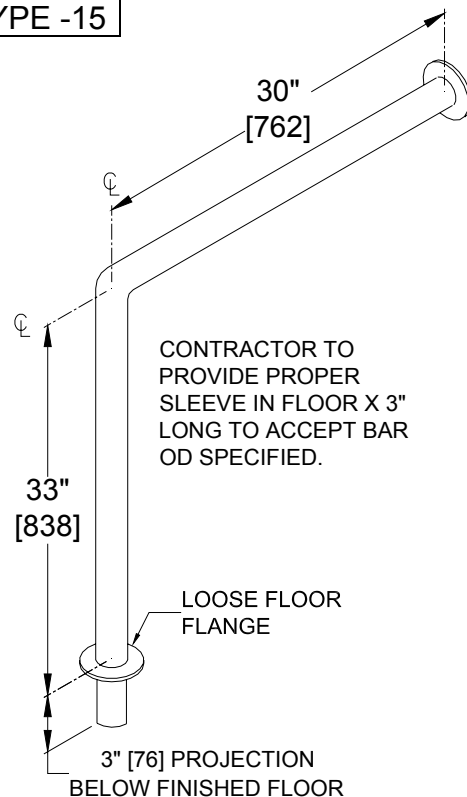
TYPE -04



SCHEDULE	
QTY.	HAND
	LH
	RH

MODEL № MUST SPECIFY
 -LH OR -RH

TYPE -15





AMERICAN SPECIALTIES, INC.
 441 Saw Mill River Road, NY 10701
 (914) 476.9000 • (914) 476.0688
 www.americanspecialties.com

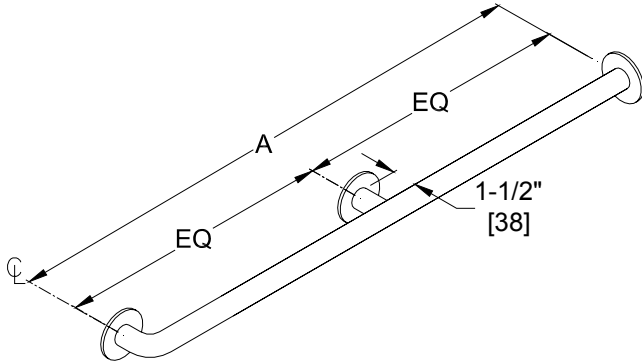
MODEL №: GRABBAR CONFIG

ISSUED: 09/96

REVISED: 23 FEB 2015

GRAB BAR CONFIGURATIONS (PG 2 OF 3)

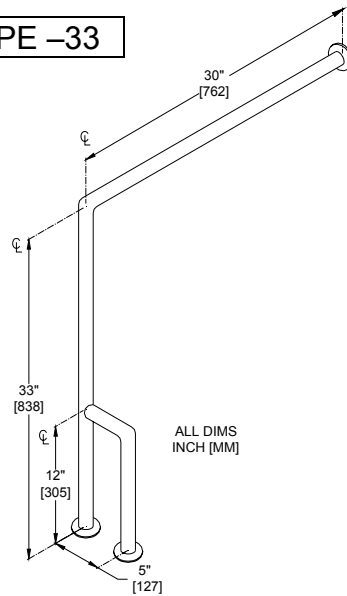
TYPE -24



* No center support

SCHEDULE			
QTY.	DIM. A	QTY.	DIM. A
	12" [305]*		36" [914]
	18" [457]*		42" [1067]
	24" [610]		48" [1219]
	30" [762]		54" [1372]

TYPE -33



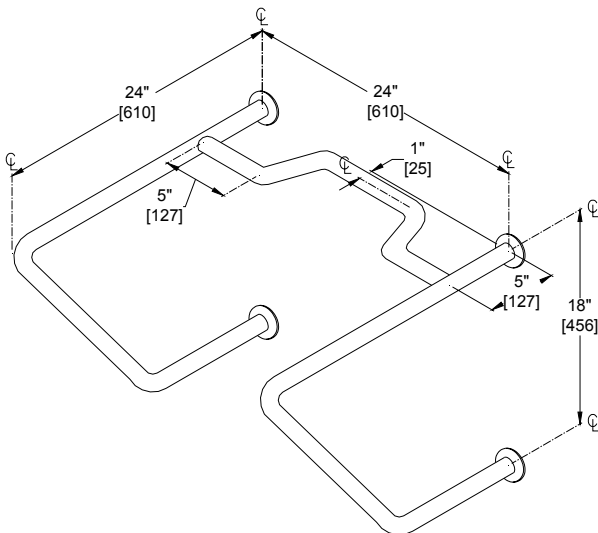
RH SHOWN
LH OPPOSITE

ALL DIMS
INCH [MM]

MODEL № MUST SPECIFY LH OR -RH

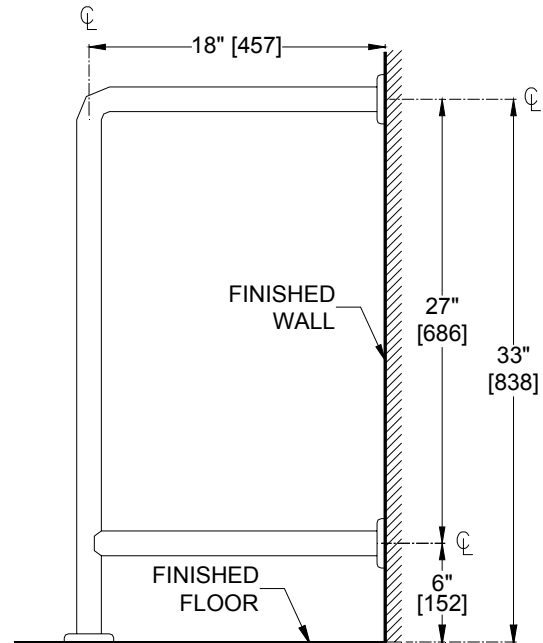
SCHEDULE	
QTY.	HAND
	LH
	RH

TYPE -34



FOR BEDPAN FLUSH VALVE USE

TYPE -75





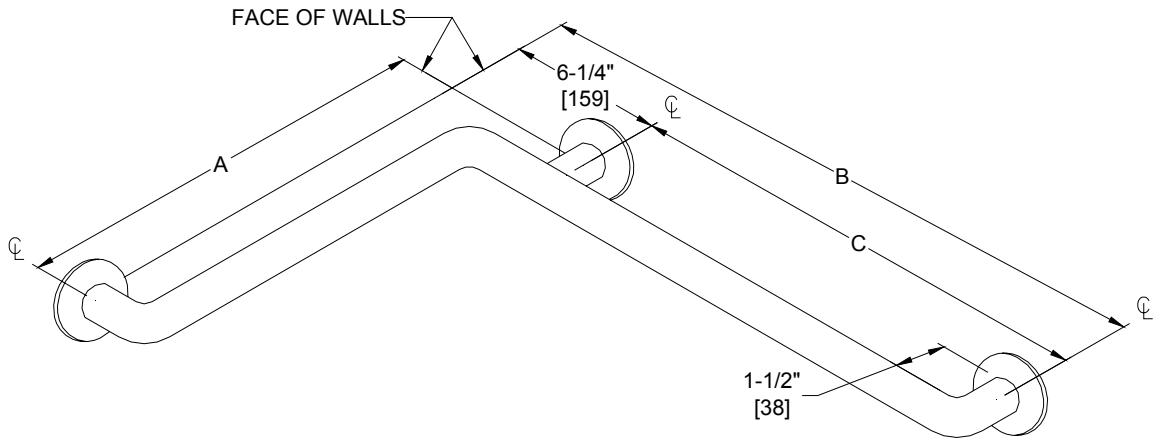
AMERICAN SPECIALTIES, INC.
 441 Saw Mill River Road, NY 10701
 (914) 476.9000 • (914) 476.0688
 www.americanspecialties.com

MODEL No: GRABBAR CONFIG

ISSUED: 09/96

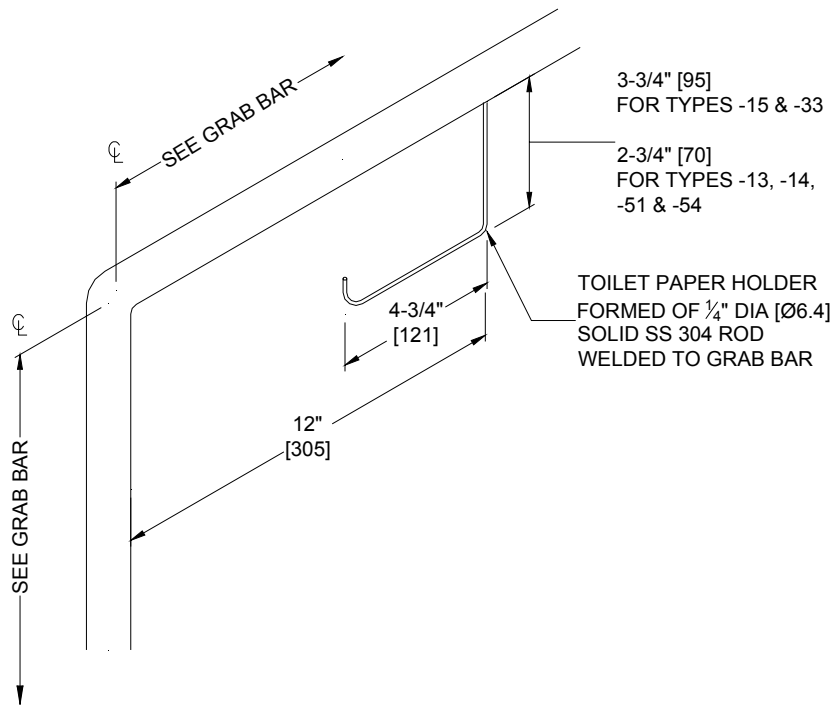
REVISED: 23 FEB 2015

GRAB BAR CONFIGURATIONS (PG 3 OF 3)



SCHEDULE				
QTY	TYPE	A	B	C
	50	24" [610]	36" [914]	29-3/4" [756]
	56	36" [914]	54" [1372]	47-3/4" [1213]
	57	42" [1069]	54" [1372]	47-3/4" [1213]
	60	18" [457]	30" [762]	23-3/4" [603]
	74	18-1/8" [460]	33-1/8" [841]	26-7/8" [683]

OPTION -25



Option -25 Toilet Paper Holder is welded on to Grab Bars of the Swing Up or Swing Away configurations 3413, 3451, 3454 and Fixed Types -15, -33