



**AMERICAN SPECIALTIES, INC.**

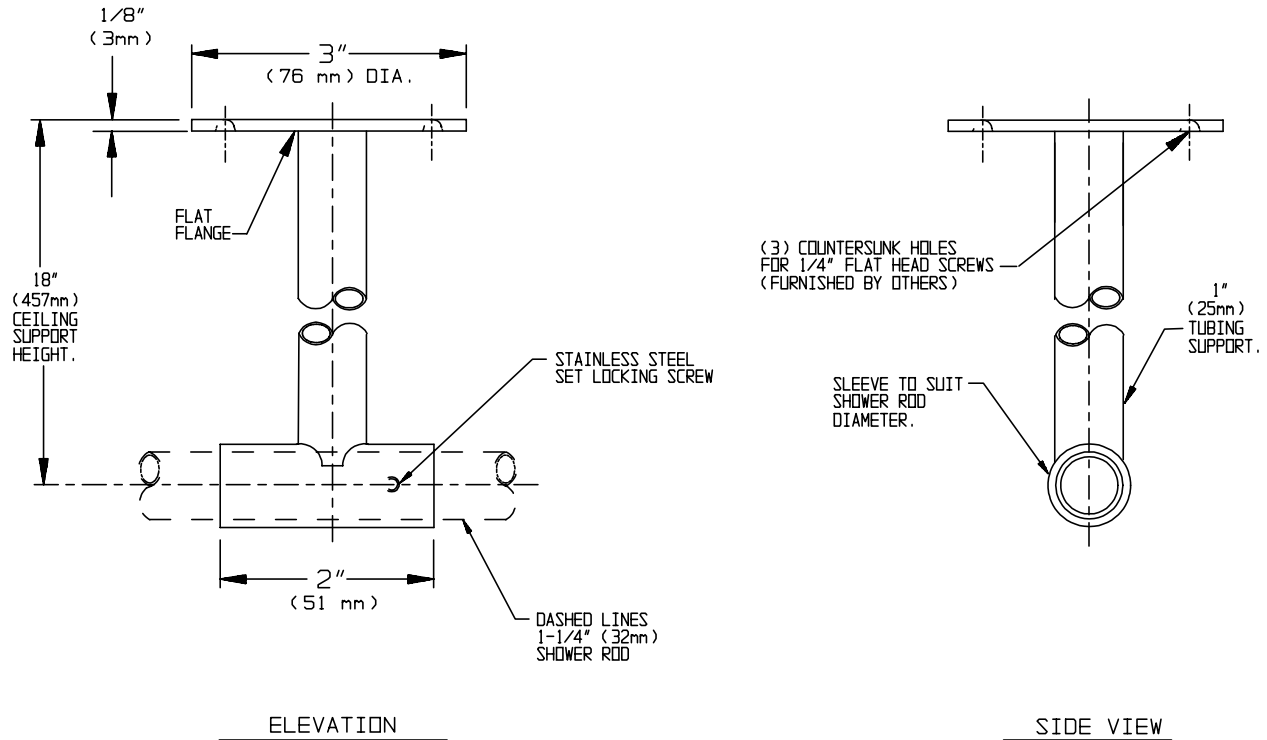
441 Saw Mill River Road, Yonkers, NY 10701 (914) 476-9000

MODEL No: 1204-C18

ISSUED: 1-87

REVISED: 9-04

**CEILING SUPPORT**



**SPECIFICATION**

Ceiling Support shall be fabricated of alloy 18-8 stainless steel type 304 with N° 4 satin finish and consist of a flat exposed mounting flange, tubing and sleeve. Support shall be 18" (457mm) from mounting surface to center line of rod sleeve or as modification length specified below. Unit shall be all welded construction. Flat flange shall be 3" (76mm) dia. by 1/8" (3mm) thick and shall be provided with three (3) countersunk holes to accept 1/4" screws (supplied by others). Support tubing shall be fabricated of 1" (25mm) dia. 20 gauge and sleeve shall be heavy wall tubing to accommodate 1-1/4" (32mm) dia. shower rod. Sleeve shall be provided with stainless steel set screw for locking shower rod in place.

**Ceiling Support shall be Model N° 1204-C\_\_\_ (add code below) as manufactured by American Specialties, Inc., 441 Saw Mill River Road, Yonkers, NY 10701-4913**

**INSTALLATION**

Centerline of support sleeve must match centerline of mounting height of rod flanges. Insert the 1-1/4" (32mm) dia. shower rod through the sleeve and place trapped flanges (specified separately) at either end. Surface mount flat flange to ceiling with three screws (by others) through countersunk holes provided into suitable blocking reinforcement (by others) or shield anchors (by others) or other appropriate ceiling preparation (by others). Lock shower rod into place with stainless steel set screw provided on top of the sleeve. Install end flanges in manner described in installation section of data sheet for product specified.

ORDER CONFIGURATION SCHEDULE	
MODEL N°	HEIGHT OF SUPPORT
1204- C18	18"( 457 mm)
1204- CM ( _ )	___"( mm)

Accessory Specialties

AMERICAN DISPENSER

Desert Ray Products

WATROUS INC.