



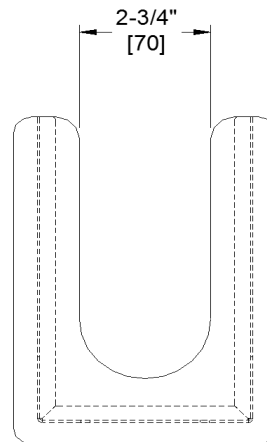
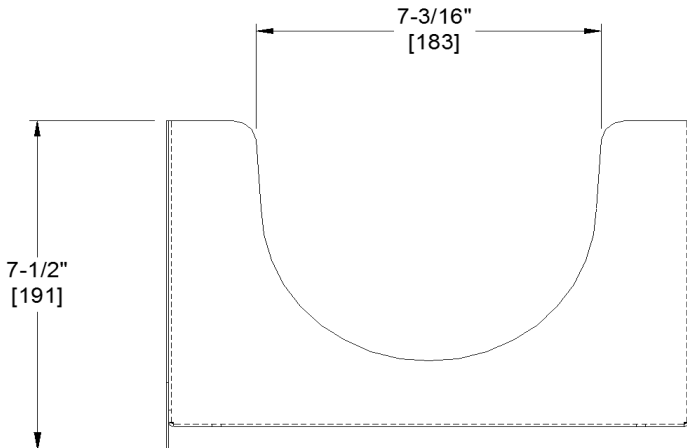
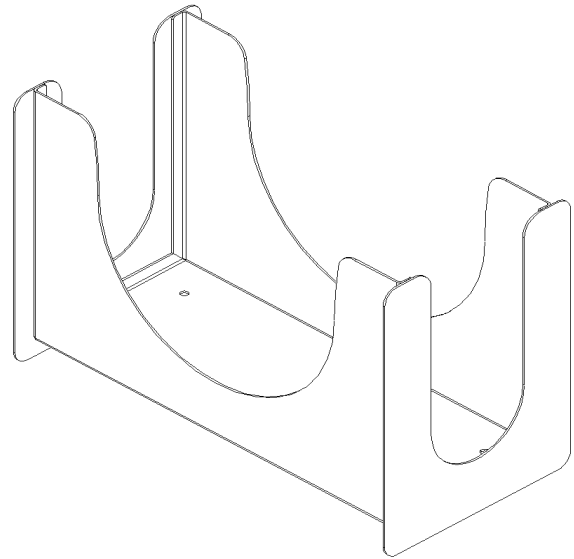
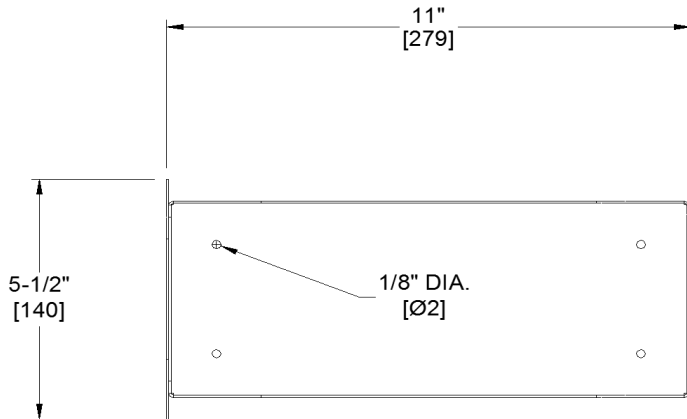
**AMERICAN SPECIALTIES, INC.**  
441 Saw Mill River Road, Yonkers, NY 10701  
(914) 476.9000 • (914) 476.0688  
www.americanspecialties.com

**MODEL №: 1005**

**ISSUED: 10/2014**

**REVISED:**

## VANITY TOP PAPER TOWEL HOLDER



**NOTE:**  
ALL DIMS  
INCH [MM]

### SPECIFICATION

Vanity Top Paper Towel Holder unit shall have the capacity to hold 250 C-fold or 350 multi-fold standard towels. Unit shall be fabricated of type 304 stainless steel alloy 18-8. Unit shall be 16 gauge. All exposed surfaces shall have satin finish protected by PVC film easily removed after installation. Unit shall be of welded construction and all edges deburred for user safety.

**Vanity Top Paper Towel Holder shall be Model № 1005 as manufactured by American Specialties, Inc., 441 Saw Mill River Road, Yonkers, New York 10701-4913**

### INSTALLATION

Place unit on countertop in location that does not interfere with faucets or soap dispensers and will not be splashed by water or soap from basins in use.

### OPERATION

Towels are manually withdrawn one at a time while continuously visible supply is available. Towels are replenished as needed or as part of regular maintenance schedule.